

NXW5 Wall Mounting Enclosure



- ① ---- **Door lock:** The operated lock for preventing unwanted operation.
- ② ---- **Panel:** Zinc-plated steel panel
- ③ ---- **Earthing studs:** Earthing connection between body and door.
- ④ ---- **Wall fixing brackets:** For easy surface installation.
- ⑤ ---- **Hinges:** Hinged connection provide better operating.
- ⑥ ---- **Flanged panel:** With sealing gasket that increased cable entry capacity.
- ⑦ ---- **Sealing rubber gasket:** Make high protection degree.
- ⑧ ---- **Studs:** For additional panel.

NXW5 Wall Mounting Enclosure

1. General

1.1 Function

The Wall Mounting Enclosure is designed to adopt all kind of Electrical switch gear & control gear assemblies. It is suitable for variety of Electrical installations in commercial & light industrial premises. It is designed for indoor & outdoor applications.

1.2 Features

Made out of high quality Electro galvanized steel up to 1.6mm thickness.

Removable Gland plate at the Bottom.

Canopies can be fixed as optional.

Also double insulation; excellent out door performance.

Mounting plate made of 2mm GI steel or RAL 2000

Orange powder coated.

Complies with IEC & NEMA standards.

Available in Double door construction for width more than 800mm.

Corner formed covers ensures better rain proof protection & aesthetic look

3 point cam lock for higher sizes ensures uniform locking over the entire length.



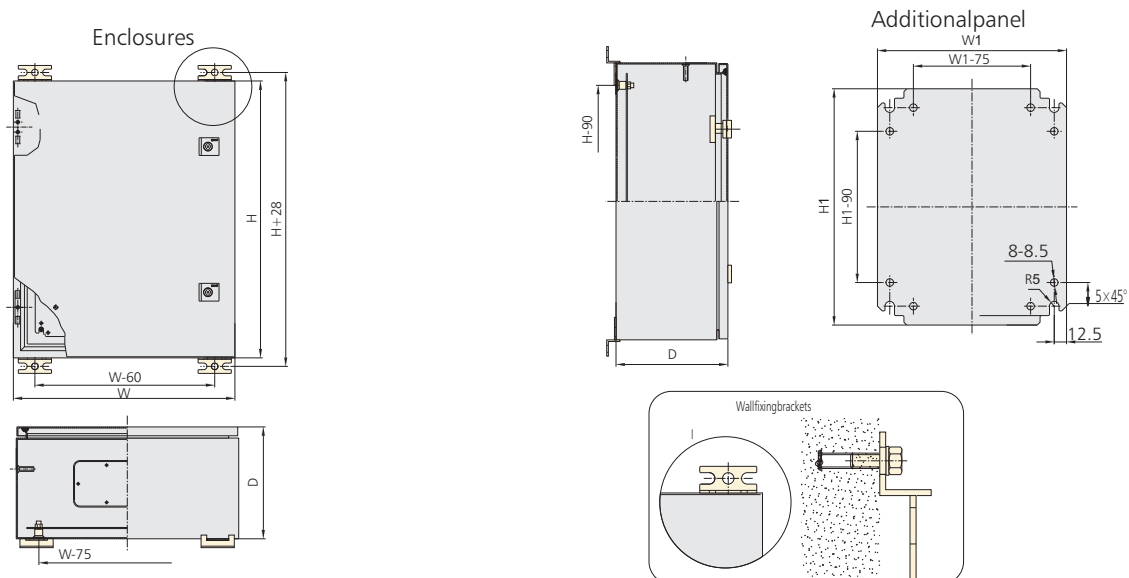
2. Technical data

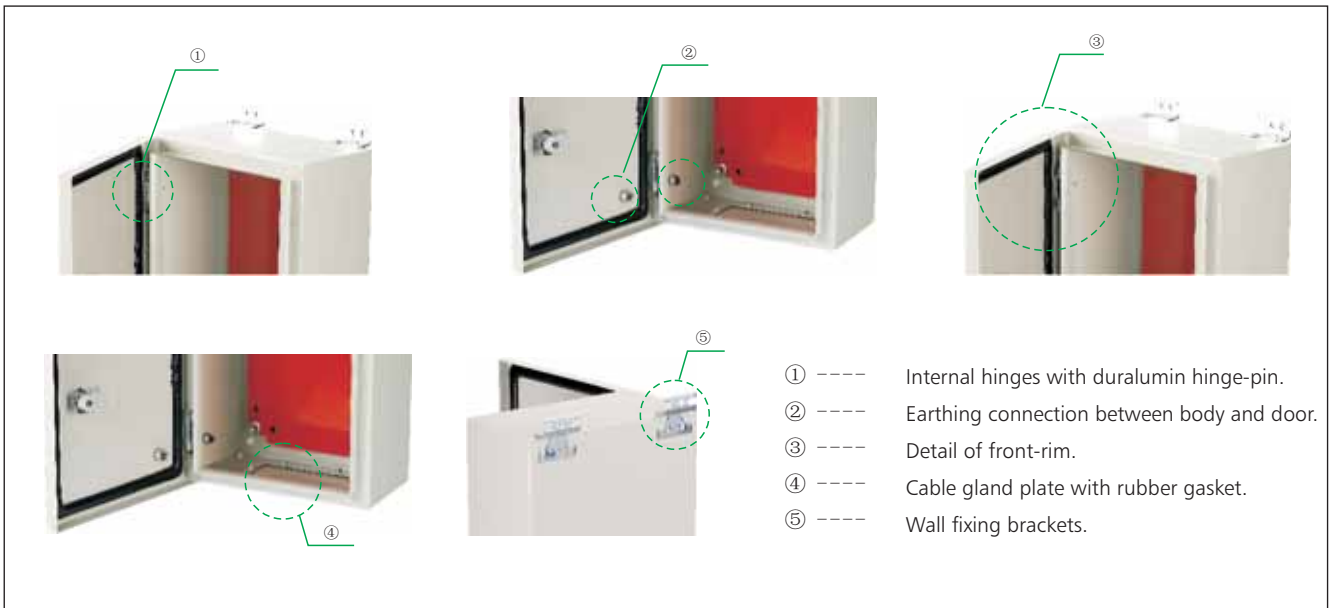
Standard	IEC 62208
Rated voltage	230V/400V
Frequency	50/60Hz
Max. incoming current(three phases)	250A
Protection degree	IP54
Allowable temperature-rise of enclosure	70K

3. Terminals max. cable size

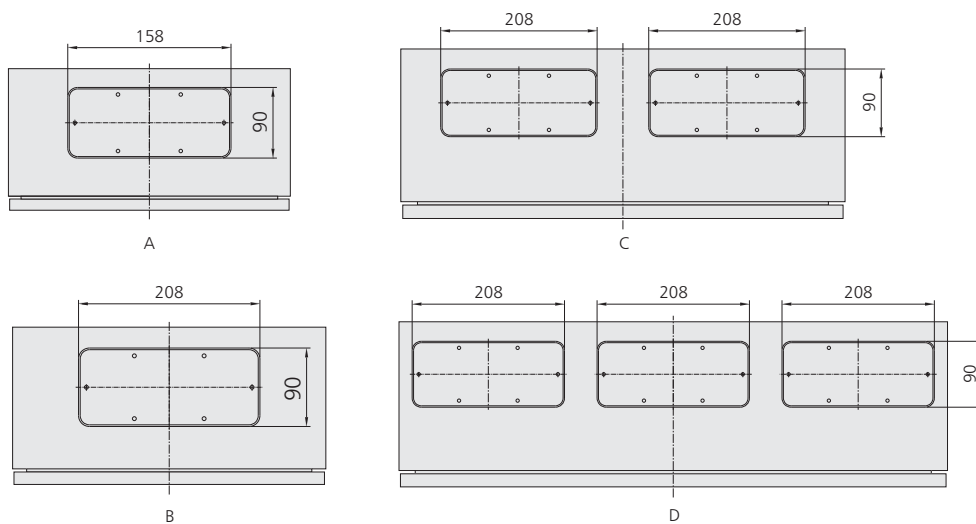
Incoming terminals	2 × 185 mm ²
--------------------	-------------------------

4. Overall and mounting dimensions (mm)





Flange openings



Note: The thickness of installation panel could be changed according to your specific requirement. (Max. thickness 2.0mm). Drawing-bar lock is available when the width of NXW5 is bigger than 800mm.

5. Ordering information

Model No.	Height(H)×Width(W)× Depth(D)	No. of locks	No. of hinges	Flange openings	Thickness
NXW5-2520/15	250×200×150	1	2	A	1.2
NXW5-3025/15	300×250×150	1	2	A	1.2
NXW5-3025/20	300×250×200	1	2	A	1.2
NXW5-3030/15	300×300×150	1	2	A	1.2
NXW5-3030/20	300×300×200	1	2	A	1.2
NXW5-3040/15	300×400×150	1	2	B	1.2
NXW5-3040/20	300×400×200	1	2	B	1.2

Model No.	Height(H)×Width(W)× Depth(D)	No. of locks	No. of hinges	Flange openings	Thickness
NXW5-4030/15	400×300×150	1	2	A	1.2
NXW5-4030/20	400×300×200	1	2	A	1.2
NXW5-4040/15	400×400×150	1	2	B	1.2
NXW5-4040/20	400×400×200	1	2	B	1.2
NXW5-4060/15	400×600×150	1	2	C	1.2
NXW5-4060/20	400×600×200	1	2	C	1.2
NXW5-4060/25	400×600×250	1	2	C	1.2
NXW5-5040/15	500×400×150	2	2	B	1.2
NXW5-5040/20	500×400×200	2	2	B	1.2
NXW5-5040/25	500×400×250	2	2	B	1.2
NXW5-5050/15	500×500×150	2	2	B	1.2
NXW5-5050/20	500×500×200	2	2	B	1.2
NXW5-5050/25	500×500×250	2	2	B	1.2
NXW5-6040/15	600×400×150	2	2	B	1.2
NXW5-6040/20	600×400×200	2	2	B	1.2
NXW5-6040/25	600×400×250	2	2	B	1.2
NXW5-6050/15	600×500×150	2	2	B	1.2
NXW5-6050/20	600×500×200	2	2	B	1.2
NXW5-6050/25	600×500×250	2	2	B	1.2
NXW5-6060/20	600×600×200	2	2	C	1.2
NXW5-6060/25	600×600×250	2	2	C	1.2
NXW5-6060/30	600×600×300	2	2	C	1.2
NXW5-7050/15	700×500×150	2	2	B	1.5
NXW5-7050/20	700×500×200	2	2	B	1.5
NXW5-7050/25	700×500×250	2	2	B	1.5
NXW5-7050/30	700×500×300	2	2	B	1.5
NXW5-8060/20	800×600×200	2	3	C	1.5
NXW5-8060/25	800×600×250	2	3	C	1.5
NXW5-8060/30	800×600×300	2	3	C	1.5
NXW5-8060/38	800×600×380	2	3	C	1.5
NXW5-8080/20	800×800×200	2	3	C	1.5
NXW5-8080/25	800×800×250	2	3	C	1.5
NXW5-8080/30	800×800×300	2	3	C	1.5
NXW5-10060/25	1000×600×250	2	4	C	1.5
NXW5-10060/30	1000×600×300	2	4	C	1.5
NXW5-10060/38	1000×600×380	2	4	C	1.5
NXW5-10060/45	1000×600×450	2	4	C	1.5
NXW5-10080/25	1000×800×250	2	4	C	1.5
NXW5-10080/30	1000×800×300	2	4	C	1.5
NXW5-10080/38	1000×800×380	2	4	C	1.5
NXW5-10080/45	1000×800×450	2	4	C	1.5
NXW5-100100/25	1000×1000×250	2	4	D	1.5
NXW5-100100/30	1000×1000×300	2	4	D	1.5
NXW5-12080/25	1200×800×250	3	5	C	1.5
NXW5-12080/30	1200×800×300	3	5	C	1.5
NXW5-12080/38	1200×800×380	3	5	C	1.5
NXW5-12080/45	1200×800×450	3	5	C	1.5
NXW5-120100/25	1200×1000×250	3	5	D	1.5
NXW5-120100/30	1200×1000×300	3	5	D	1.5