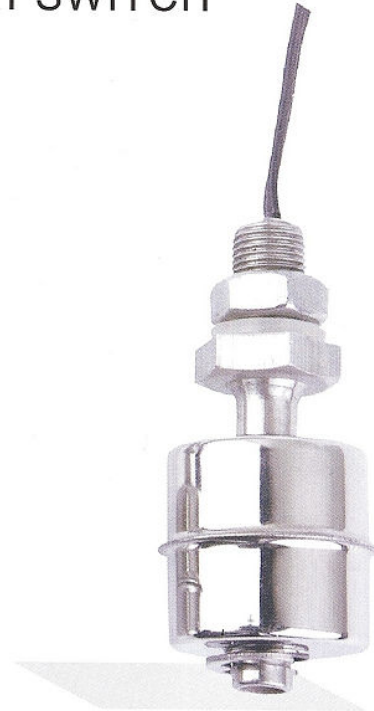
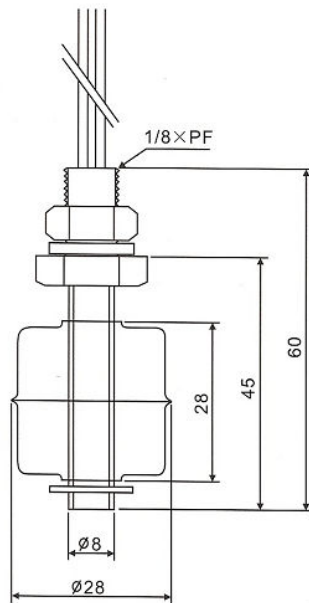


## **MINI** FLOAT SWITCH



1. Rated voltage: 220VAC/24VDC
2. Rated current: 0.8A
3. Insulation impedance:  $> 10M\Omega$
4. Applied temperature:  $-10^{\circ}\text{C} \sim -130^{\circ}\text{C}$
5. Applied pressure: 20/50Pa