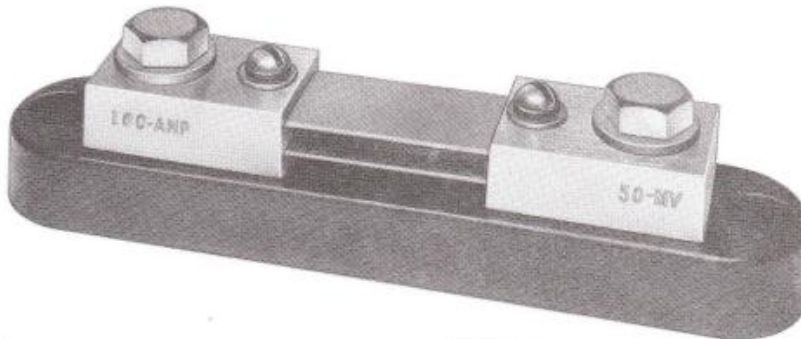


TYPE HA • DC Ammeter Shunt

50MV 1 through 500 amperes
100MV 1 through 500 amperes



50 MV

Catalog Number	AMP	A	B
HA-1-50*	1	1.38	.500
HA-2-50*	2	1.38	.500
HA-5-50*	5	1.38	.500
HA-10-50*	10	1.38	.500
HA-20-50	20	1.38	.500
HA-50-50	50	1.38	.500
HA-100-50	100	1.38	.500
HA-150-50	150	1.38	.500
HA-200-50	200	1.38	.500
HA-250-50	250	1.63	.750
HA-300-50	300	1.63	.750
HA-400-50	400	1.63	.750
HA-500-50	500	1.63	.750

100 MV †

Catalog Number	AMP	A	B
HA-1-100*	1	1.38	.500
HA-2-100*	2	1.38	.500
HA-5-100*	5	1.38	.500
HA-10-100*	10	1.38	.500
HA-15-100*	15	1.38	.500
HA-20-100*	20	1.38	.500
HA-25-100	25	1.38	.500
HA-50-100	50	1.38	.500
HA-75-100	75	1.38	.500
HA-100-100	100	1.38	.500
HA-200-100	200	1.38	.500
HA-300-100	300	1.63	.750
HA-500-100	500	1.63	.750

DIMENSIONS in inches. TOLERANCES $\pm .015$ for hole diameters. Other tolerances $\pm .030$ unless otherwise noted.
† Not recommended for continuous use at rated amperage. Dimensions are subject to change without notice.

* Low amperage models are furnished with protective covers.

