

FY Series Solenoid Valve

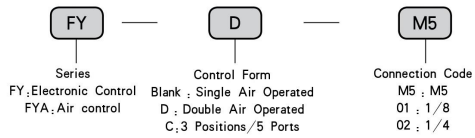
● Character

It has the characteristics of low-consumption power and central exhaust of guiding valve and main valve, with small dimension, large flow, handsome shape, and quick action. It can be installed in integration, with good resistance to abrasion and long service life.

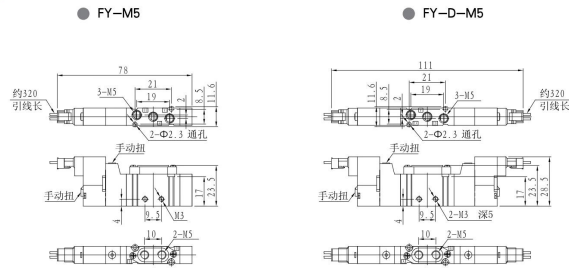
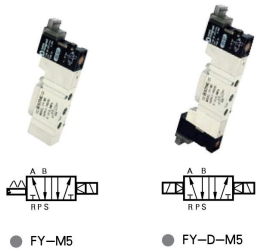
● Maintenance Notice:

1. Be sure to check up the valve before installation.
2. Before installation, please confirm the voltage connection and direction of the air flow are right.
3. Notice to be dustproof. It's best to install a silencer or speed control silencer in front of solenoid valve.
4. Metal grain, dust and oil stain in pipes and fittings must be washed neatly before connected.

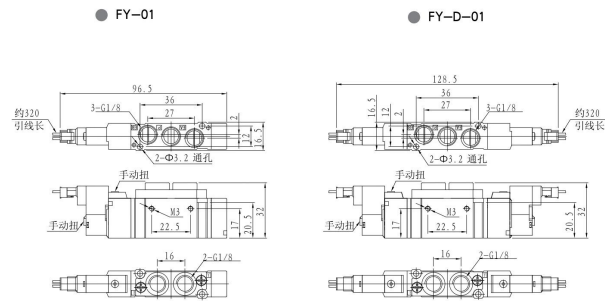
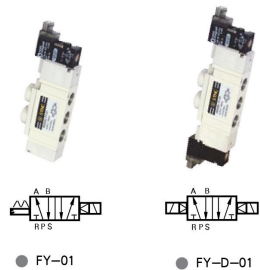
● Ordering Code



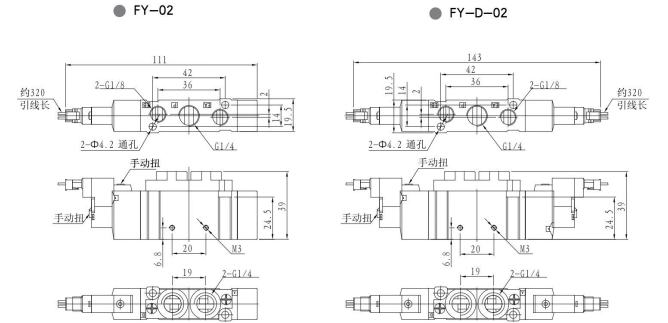
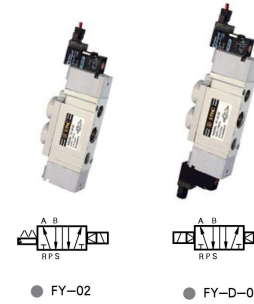
2 Positions/5 Ports Solenoid Valve



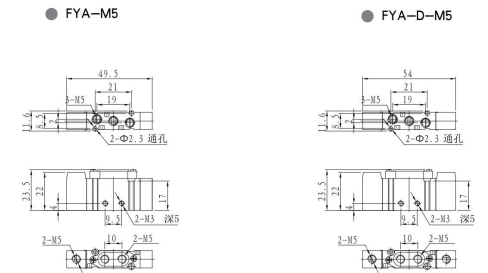
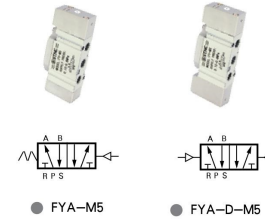
2 Positions/5 Ports Solenoid Valve



2 Positions/5 Ports Solenoid Valve



2 Positions/5 Ports Air Valve



2 Positions/5 Ports Air Valve

