

TG Series Air Valve

● Character

It is controlled by pneumatic signal, applicable to the places where the existence of power source is forbidden. The product is in simple structure, with reliable performance and easy operation. It is widely applied to the inflammable and explosive places such as coal hill, mine, natural gas, etc. There are multiple specifications for your choice.

● Ordering Code

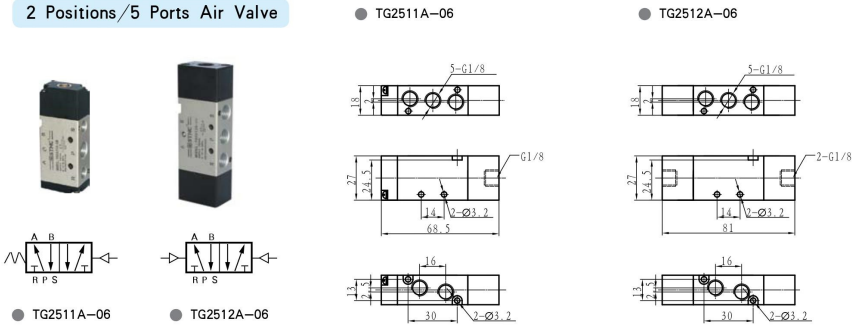
TG	25	1	1A	06	C
Series	Function	Connection Code	Control Form	Pipe Size	Working Mode
	25 : 2 Positions/5Ports 35 : 3 Positions/5Ports	1 : 1/8 2 : 1/4 3 : 3/8 4 : 1/2	1A : Single Air Operated 2A : Double Air Operated	06 : G1/8 08 : G1/4 10 : G3/8 15 : G1/2	No Mark : 2 Positions C : 3 Positions Closed Center E : 3 Positions Release Center P : 3 Positions Pressed Center

■ Technical Parameter

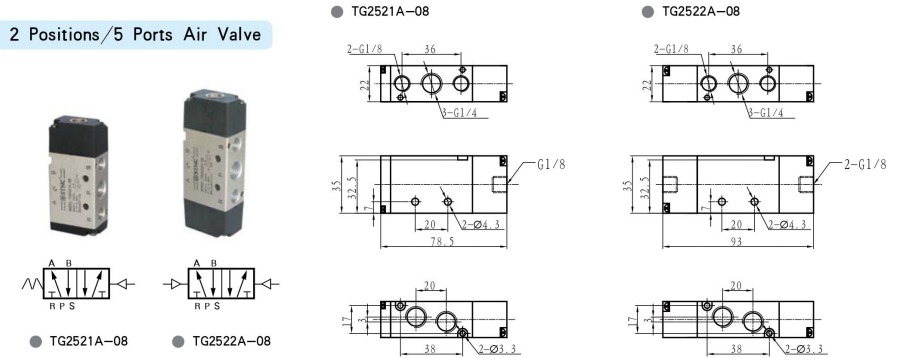
Item Specification	Function	Pipe Size	Nominal Diameter (mm)	Applicable Medium	Applicable Pressure Range	Operating Method	Max Action Frequency	Lubrication	Medium Temperature
TG2511A-06	2 Positions/5Ports	G1/8	6	Air	0.15 ~ 0.8 MPa	Internally Piloted	5 Cycles/Sec	Needless	-5 ~ 60°C
TG2512A-06		G1/8	6						
TG2521A-08		G1/4	8						
TG2522A-08		G1/4	8						
TG2531A-10		G3/8	10						
TG2532A-10		G3/8	10						
TG2541A-15	3 Positions/5Ports	G1/2	15	Air	0.2 ~ 0.8 MPa	Internally Piloted	3 Cycles/Sec	Needless	-5 ~ 60°C
TG2542A-15		G1/2	15						
TG3512A-06C.E.P		G1/8	6						
TG3522A-08C.E.P		G1/4	8						
TG3532A-10C.E.P	G3/8	10							
TG3542A-15C.E.P	G1/2	15							

■ Figure Dimension

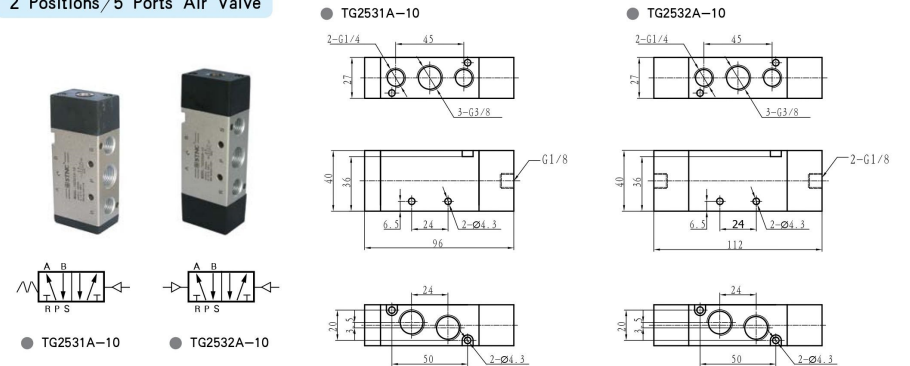
2 Positions/5 Ports Air Valve



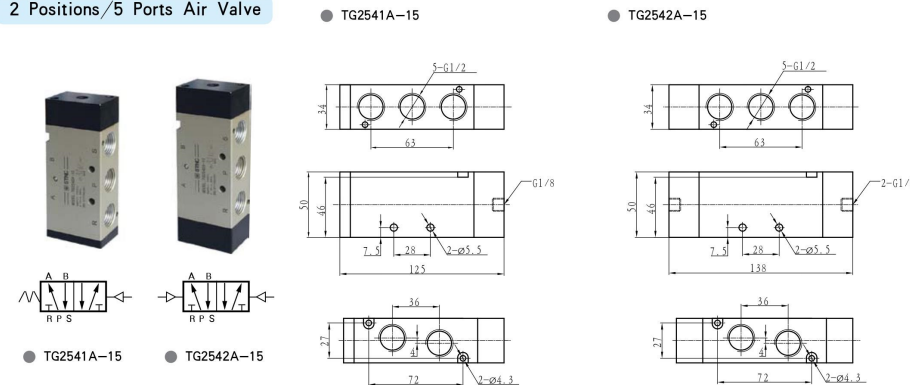
2 Positions/5 Ports Air Valve



2 Positions/5 Ports Air Valve

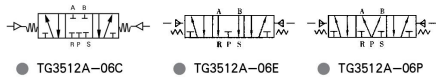


2 Positions/5 Ports Air Valve

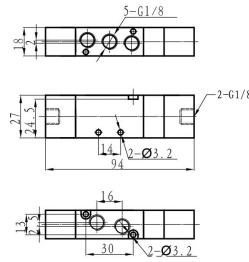


3 Positions/5 Ports Air Valve

- TG3512A-08C
- TG3512A-08E
- TG3512A-08P

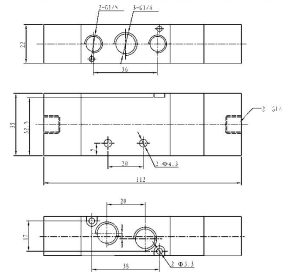


TG Series Air Valve



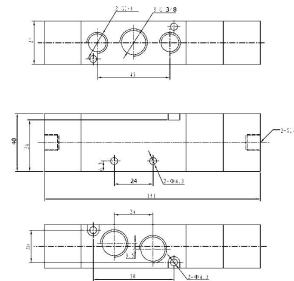
3 Positions/5 Ports Air Valve

- TG3522A-08C
- TG3522A-08E
- TG3522A-08P



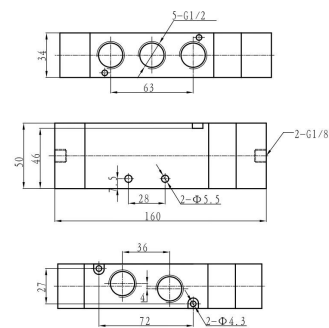
3 Positions/5 Ports Air Valve

- TG3532A-10C
- TG3532A-10E
- TG3532A-10P



3 Positions/5 Ports Air Valve

- TG3542A-15C
- TG3542A-15E
- TG3542A-15P



G Series Manifold



- G100-5T
- G200-5T
- G300-5T
- G400-5T

Ordering Code

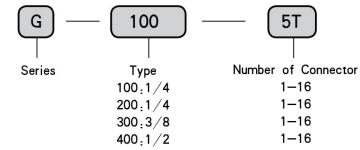
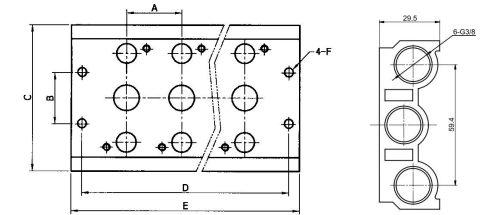


Figure Dimension



Manifold Type	A	B	C	D	E	F	G	H	I
G100 □ T	19	20	58	19(n-1)+28	19(n-1)+38	φ 4.5	G1/4	40	25
G200 □ T	23	20	60	23(n-1)+35	23(n-1)+46	φ 4.5	G1/4	42	25
G300 □ T	28	26	74	28(n-1)+45	28(n-1)+56	φ 4.5	G3/8	50	30
G400 □ T	35	32	100	35(n-1)+56	35(n-1)+70	φ 4.5	G1/2	65	41

G230 Manifold



- G230-5T

Ordering Code

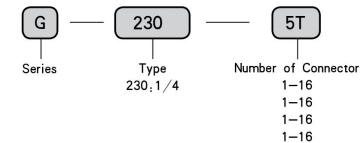


Figure Dimension

