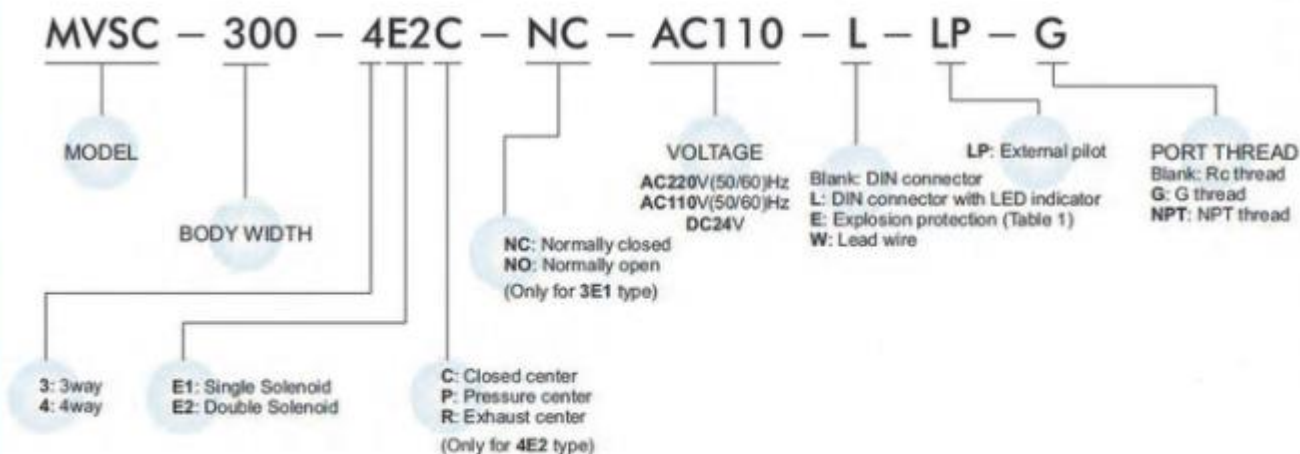
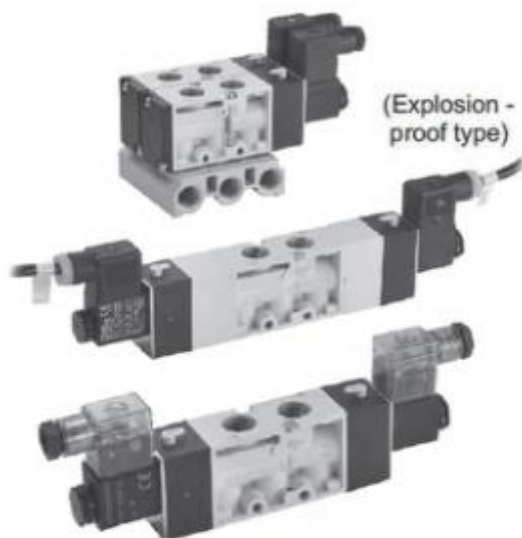


订购码 Ordering Code



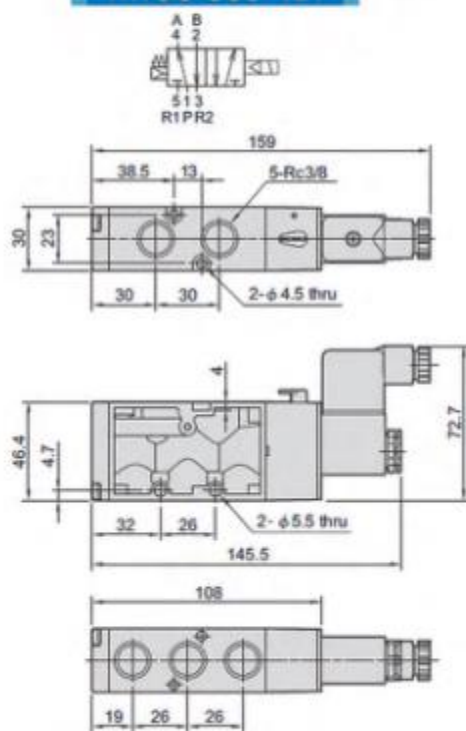
规格 Specification



Model	3E1	3E2	4E1	4E2	4E2C.P.R
Bore No.	10A				
Port size	Rc3/8				
No. of port	3				5
No. of position	2			3	
Medium	Air				
Operating pressure range	0.2~0.7 MPa			0.3~0.7 MPa	
Operating pressure (LP)	0~0.7 MPa				
External pilot pressure (LP)	0.2~0.7 MPa			0.3~0.7 MPa	
Proof pressure	1 MPa				
Effective orifice	30 mm ²	35 mm ²		25 mm ²	
Ambient temperature	- 5~ +50℃ (No freezing)				
Response time	50 ms				
Voltage	AC110V, 220V (50/60)Hz, DC24V				
Power consumption	AC=4.8/4.4VA, 6/4.9VA, DC=2W				
Available voltage range	± 10%				
Insulation class	F class				
Weight	350 g	439 g	293 g	387 g	565 g

外形尺寸 Overall Dimension

MVSC-300-4E1



MVSC-300-4E2

