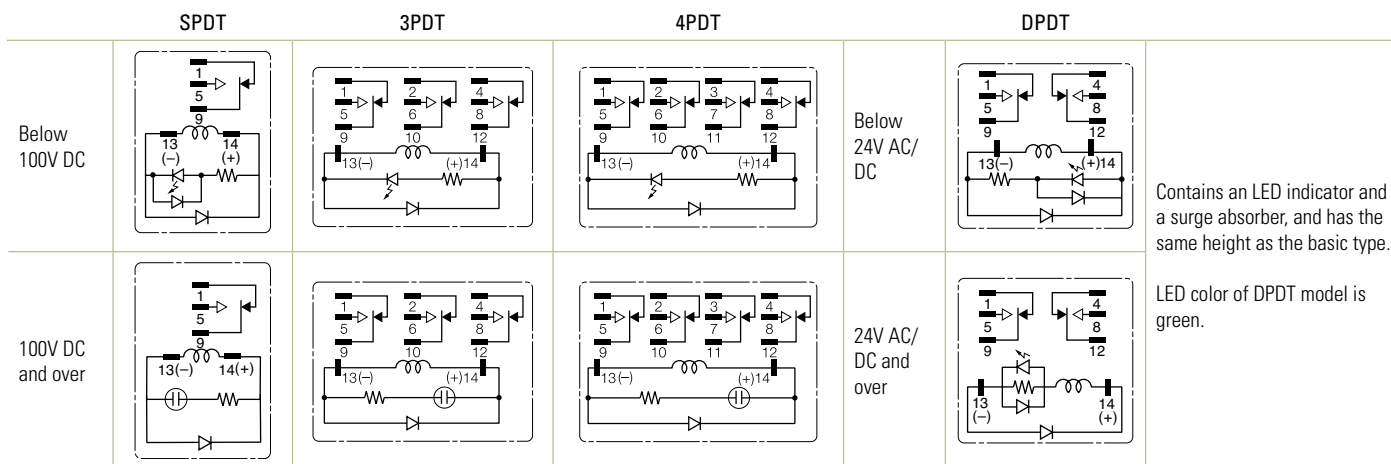
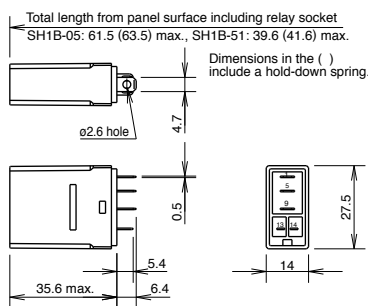


## With Indicator LED & Diode (-LD type)

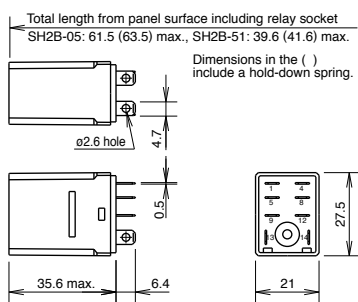


## Dimensions (mm)

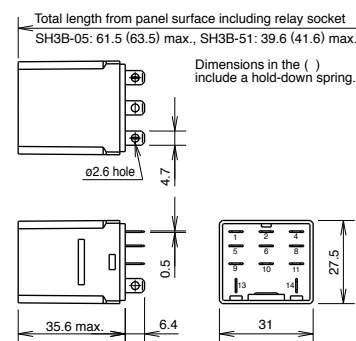
### RH1B-U/RH1B-UL/RH1B-UD/RH1B-ULD



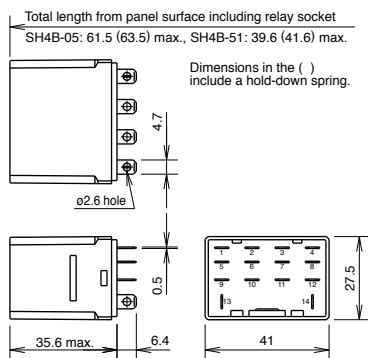
### RH2B-U/RH2B-UL/RH2B-UD/RH2B-ULD



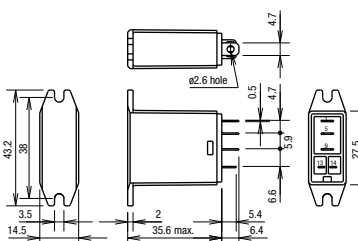
### RH3B-U/RH3B-UL/RH3B-UD/RH3B-ULD



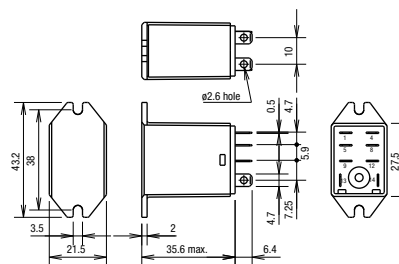
### RH4B-U/RH4B-UL/RH4B-UD/RH4B-ULD



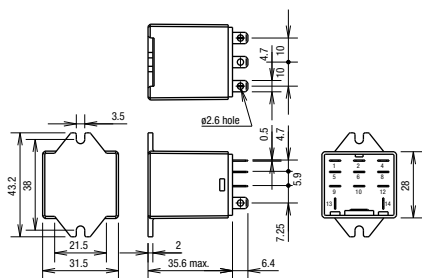
### RH1B-UT



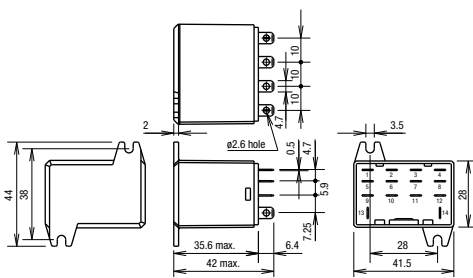
### RH2B-UT



### RH3B-UT

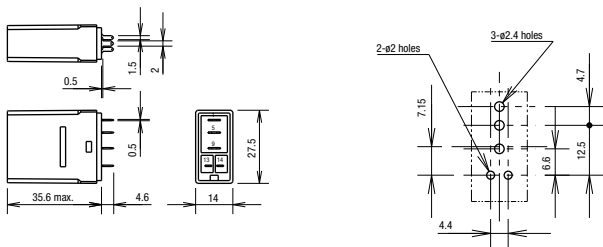


### RH4B-UT

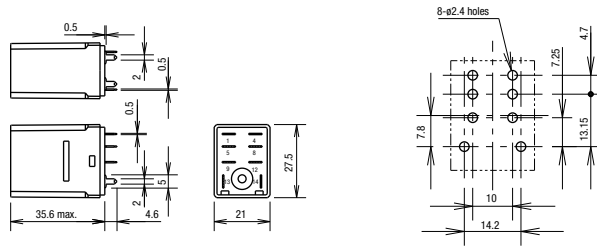


Dimensions con't (mm)

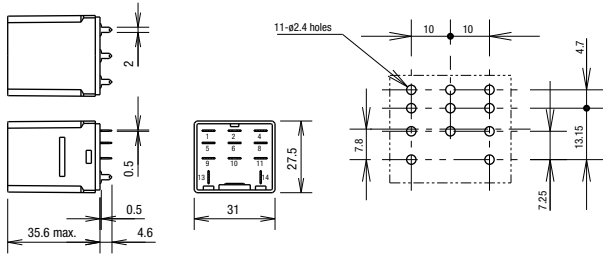
RH1V2-U/RH1V2-UD



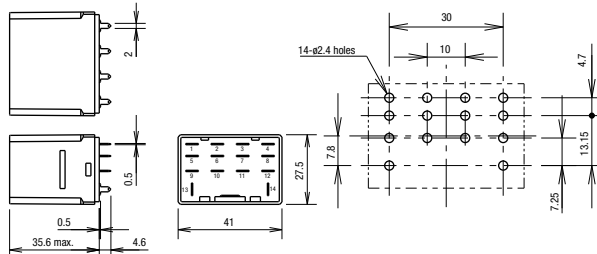
RH2V2-U/RH2V2-UL/RH2V2-UD



RH3V2-U/RH3V2-UL/RH3V2-D

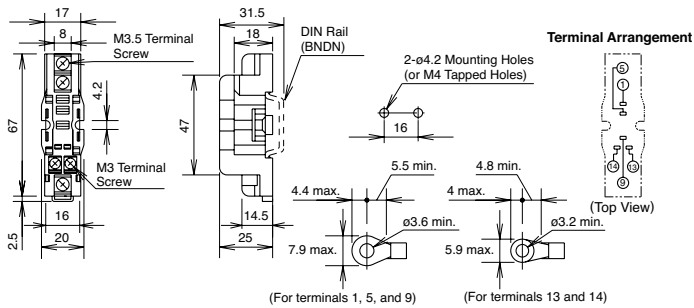


RH4V2-U/RH4V2-UL/RH4V2-UD

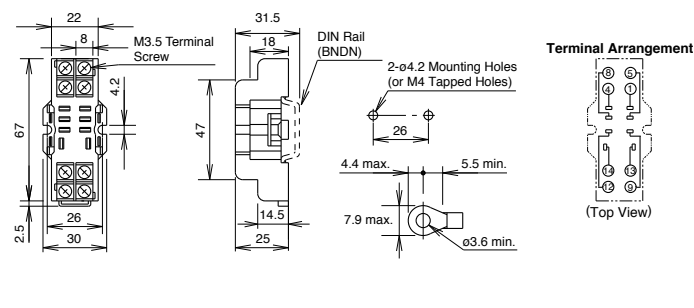


Standard DIN Rail Mount Sockets

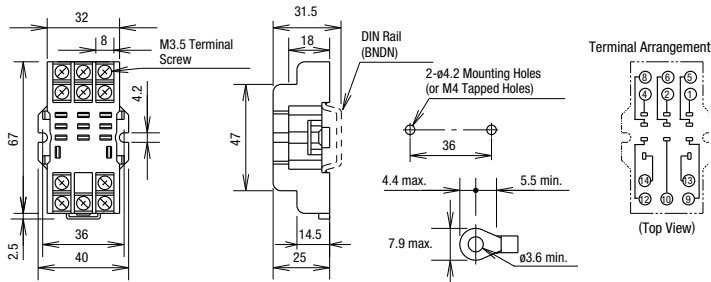
SH1B-05



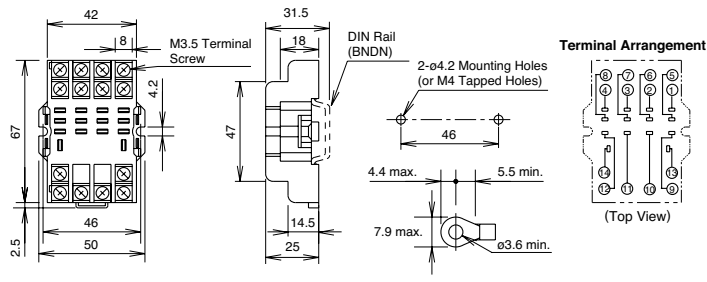
SH2B-05



SH3B-05



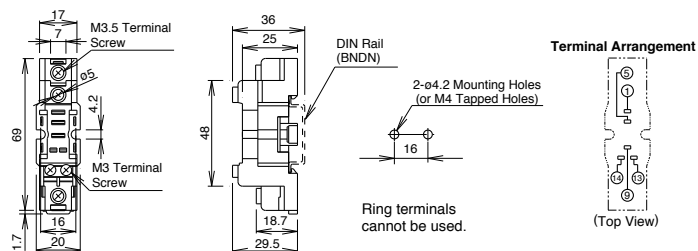
SH4B-05



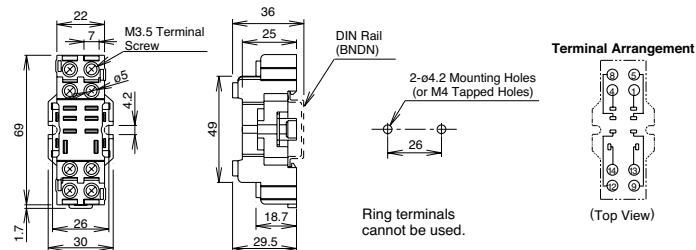
## Dimensions con't (mm)

### Finger-safe DIN Rail Mount Sockets

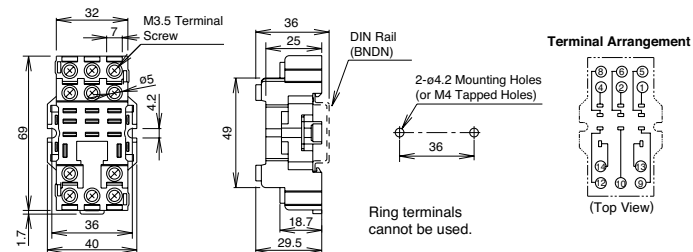
#### SH1B-05C



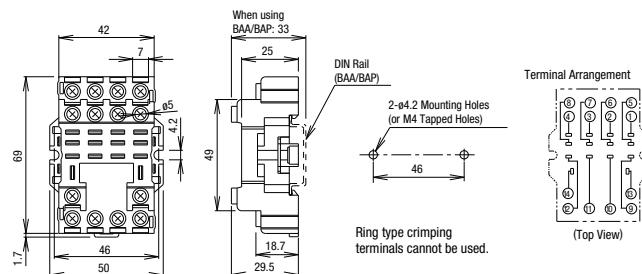
#### SH2B-05C



#### SH3B-05C

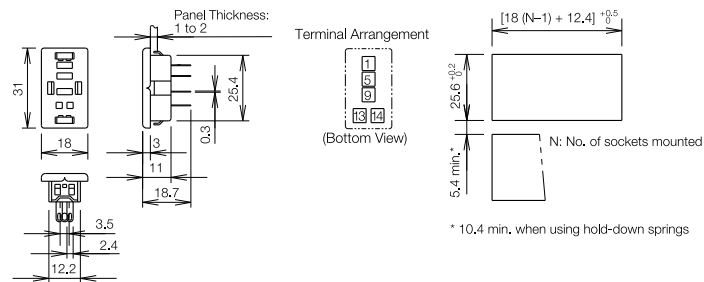


#### SH4B-05C

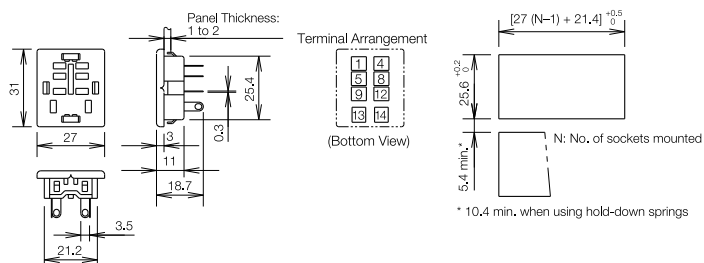


### Through Panel Mount Socket

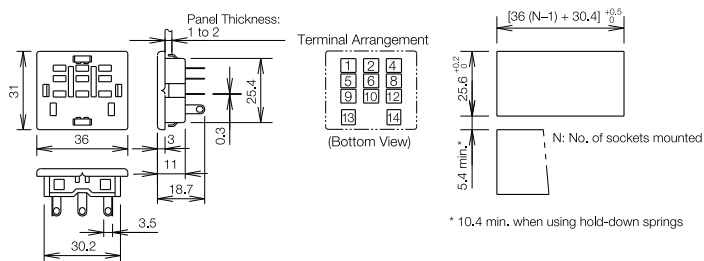
#### SH1B-51



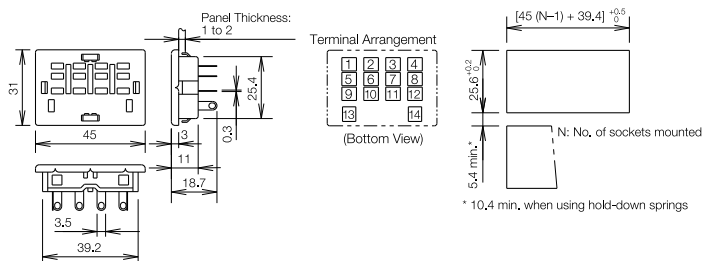
#### SH2B-51



#### SH3B-51



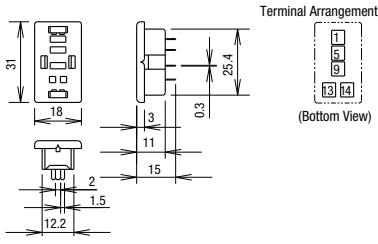
#### SH4B-51



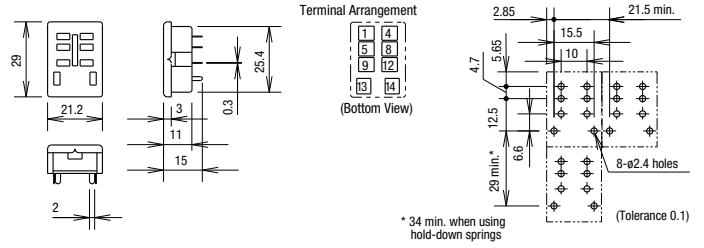
Dimensions con't (mm)

PCB Mount Sockets

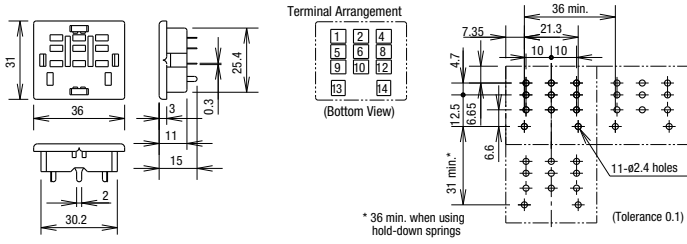
SH1B-62



SH2B-62



SH3B-62



SH4B-62

