



## CJ19 Contactor for Capacitor Switching

### 1. General

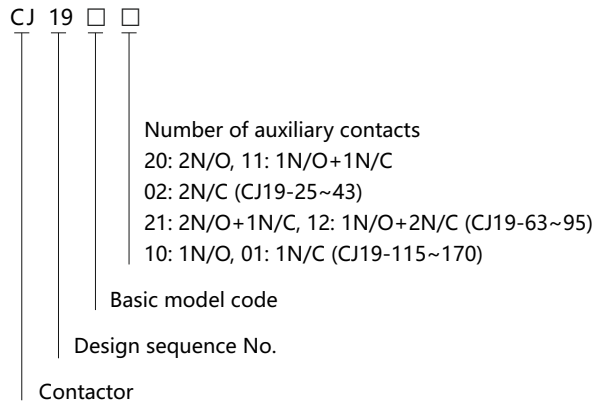
- 1.1 Electric ratings: AC50/60Hz, up to 690V;
- 1.2 Standard: IEC/EN 60947-4-1



### 4. Technical data

Item		CJ19-25	CJ19-32	CJ19-43	CJ19-63	CJ19-95	CJ19-115	CJ19-150	CJ19-170
Controllable capacitor Capacity	220/230V	6.7	10	15	20	35	40	46	52
	380/400V	12.5	20	25	33.3	50	60	80	90
	660/690V	18	26	36	48	92	100	120	130
Rated Isolation Voltage $U_i$ V		690					690		
Rated Operational Voltage $U_e$ V		220/230V, 380/400V, 660/690V							
Conventional thermal current $I_{th}$ A		25	32	43	63	95	200	200	275
Rated Operational current $I_e$ A (380V)		17	23	29	43	72.2	87	115	130
Restrained surge capacity		20 $I_e$							
Controlled power voltage		110 127 220 380							
Auxiliary contact		AC-15: $I_e$ :0.95A $U_e$ :380/400V DC-13: $I_e$ :0.15A $U_e$ :220/250V Conventional thermal current $I_{th}$ : 10A							
Operating Frequency cycles/h		120							
Electrical durability $10^4$		10						2	
Mechanical durability $10^4$		100						300	

### 2. Type designation

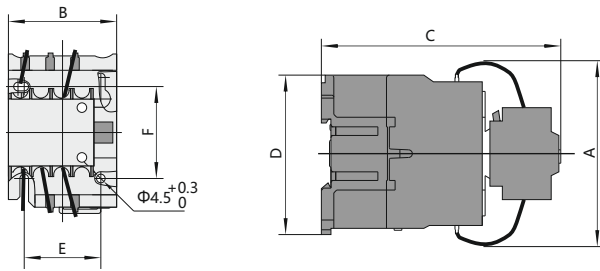


### 3. Operating conditions

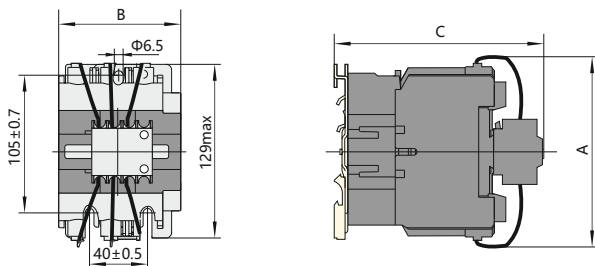
- 3.1 Ambient temperature:  $-5^{\circ}\text{C} \sim +40^{\circ}\text{C}$ , the average during 24 hours should not exceed  $+35^{\circ}\text{C}$ ;
- 3.2 Altitude:  $\leq 2000\text{m}$ ;
- 3.3 Atmosphere conditions: At mounting site, relative humidity not exceed 50% at the max temperature of  $+40^{\circ}\text{C}$ , higher relative humidity is allowable under lower temperature. For example, RH could be 90% at  $+20^{\circ}\text{C}$ , special measures should be taken to occurrence of dews;
- 3.4 Pollution degree: 3
- 3.5 Installation category: III
- 3.6 Installation conditions : the inclination between installation plane and vertical plane is within  $\pm 5^{\circ}$
- 3.7 Impact and shake: the products should locate in the places where there are no obvious impact and shake.

## 5. Overall and mounting dimensions (mm)

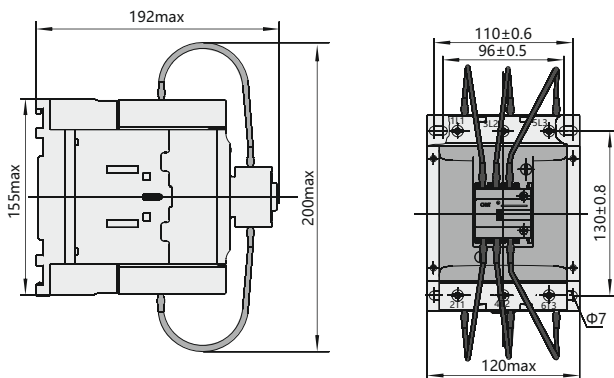
CJ19-25~43



CJ19-63~95



CJ19-115~170



Model	Amax	Bmax	Cmax	Dmax	E	F	Note
CJ19-25	80	47	124	76	34/35	50/60	
CJ19-32	90	58	132	86	40	48	Not only fixed by screws but also could be fixed with 35mm din rail
CJ19-43	90	58	136	86	40	48	
CJ19-63	132	79	150	-	-	-	Not only fixed by screws but also could be fixed with 35mm and 75mm din rail
CJ19-95	135	87	158	-	-	-	
CJ19-115	200	120	192	155			
CJ19-150	200	120	192	155			
CJ19-170	200	120	192	155			Not only fixed by screws but also could be fixed with two 35mm din rail

## 6. Wiring and installation

6.1 The connection terminals are protected through insulation cover, which is reliable and secure for installation and operation;

6.2 For CJ19-25~43, screws are available for installation, as well as the DIN rail;

for CJ19-63~95, 35mm or 75mm standard rail are available for installation.

for CJ19-115~170, screws are available for installation, as well as two 35mm DIN rail.