

CJX2 AC Contactor

Standard: IEC 60947-4-1



Function

CJX2 AC contactors provide:

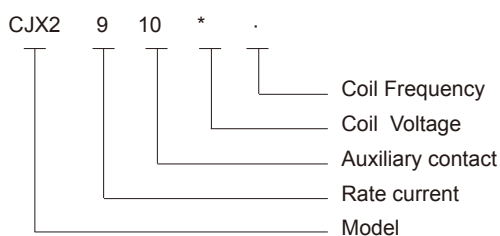
- Remote make & break of circuits
- Frequent start and stop of motors

Order Information



Motor P(kW) 380V	Rated current(A)	Auxiliary contact		Reference
		NO	NC	
5.5	9	1	0	CJX2910*
		0	1	CJX2901*
7.5	12	1	0	CJX21210*
		0	1	CJX21201*
10	18	1	0	CJX21810*
		0	1	CJX21801*
15	25	1	0	CJX22510*
		0	1	CJX22501*
18.5	32	1	0	CJX23210*
		0	1	CJX23201*
30	40	1	1	CJX24011*
33	50	1	1	CJX25011*
37	65	1	1	CJX26511*
45	80	1	1	CJX28011*
55	95	1	1	CJX29511*

Reference Description



■ Coil voltage code

coil voltage	24V	36V	110V	127V	220V	380V	400V
*	B	C	F	S	M	Q	V

■ Coil frequency code

coil frequency	50Hz	60Hz
.	5	6

CJX2 AC Contactor

Standard: IEC 60947-4-1



Technical Data

Model	CJX2-09	CJX2-12	CJX2-18	CJX2-25	CJX2-32	CJX2-40	CJX2-50	CJX2-65	CJX2-80	CJX2-95	
Main circuit characteristics											
Rated operational voltage	V	400, 690									
Rated insulation voltage	V	690									
Conventional thermal current	A	25	25	32	40	50	60	80	80	125	125
Rated operational current	400V AC-3 A	9	12	18	25	32	40	50	65	80	95
	400V AC-4 A	3.5	5	7.7	18	21	34	39	42	49	55
	690V AC-3 A	6.6	8.9	12	8.5	12	18.5	24	28	37	44
	690V AC-4 A	1.5	2	3.8	4.4	7.5	9	12	14	17.3	21.3
Power of controlled 3-phase cage motor	400V, AC-3 kW 690V, AC-3 kW 400V, AC-4 kW	4 5.5 2.2	5.5 7.5 3	7.5 10 4	11 15 5.5	15 18.5 7.5	18.5 30 7.5	22 33 11	30 37 15	37 45 18.5	45 55 22
Electric durabilities	AC-3 ×10 ⁴ operations	100				80	80	60			
	AC-4 ×10 ⁴ operations	20				20	15	10			
Mechanical durabilities	×10 ⁴ cycles	1000				800	800	600			
Operating rate	AC-3 cycles/h	1200				600	600	600			
	AC-4 cycles/h	300				300	300	300			
Matched Fuse		RT16-20	RT16-20	RT16-32	RT16-40	RT16-50	RT16-63	RT16-80	RT16-80	RT16-100	RT16-125
Cable connection cross section	mm ²	1.5	1.5	2.5	4	6	10	16	16	25	35
Coil											
Coil voltage(Us)	V	AC24,36,110,127,220,380,400									
Operational voltage	V	85%~110%Us									
Drop-out voltage	V	20%~75%Us									
Inrush	VA	70			110	200					
Sealed	VA	9			11	24					
Heat dissipation	W	2.7			4	10					
Accessories											
Auxiliary contact	Front mount	F4									
	Side mount	FC6									
Time-delay block	Front mount	SK4									
Mechanical Interlock		FR632H					FR695HX				
Rated conventional thermal current	A	10									
Rated operational voltage AC	V	400									
	DC V	230									
Rated control capacity	AC-15 VA	360									
	DC-13 W	33									

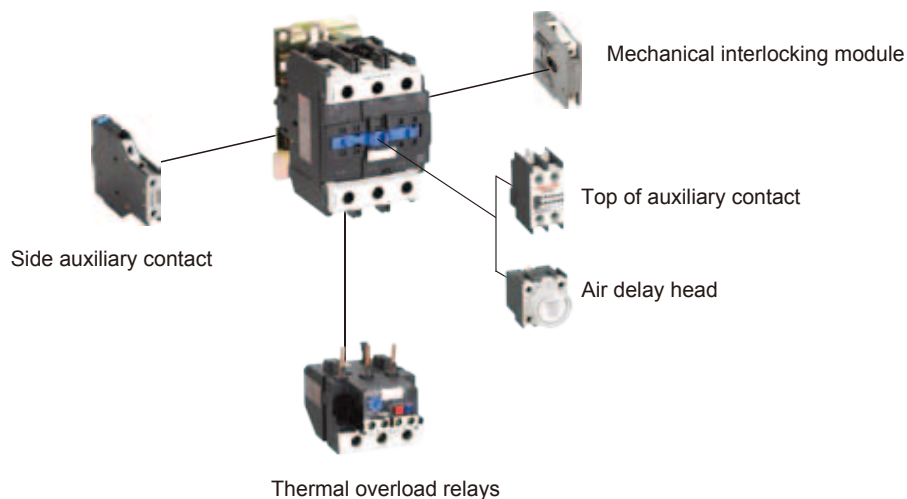
Motor Control & Protection

CJX2 AC Contactor

Standard: IEC 60947-4-1



CJX2 Contactor Accessories



■ Contactor



	9	12	18	25	32	40	50	65	80	95
Top of auxiliary contact	2 Poles: F411, F402, F420 4 Poles: F404, F413, F422, F431, F440									
Side auxiliary contact	2 Poles: FC611, FC602, FC620									
Air delayed head	Making time-delay: SK420, SK422, SK424 Breaking time-delay: SK430, SK432, SK434									
Mechanical interlocking module	9-32A: FR632H 40-95A: FR695HX									
Thermal overload relays	JRS1D-25 0.1-0.16A ... 17-25A				JRS1D-36 23-32A 30-40A					JRS1D-93 23-32A ... 80-93A

Motor Control & Protection

CJX2 AC Contactor

Standard: IEC 60947-4-1



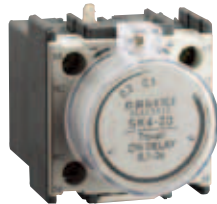
Accessories

■ F4 Top of auxiliary contact



Pole	Contact		Wiring diagram	Reference
	NO	NC		
2P	1	1		F411
	0	2		F402
	2	0		F420
4P	0	4		F404
	1	3		F413
	2	2		F422
	3	1		F431
	4	0		F440

■ SK4 Air delayed head



Delay Type	Wiring diagram	Delay Range	Reference
Making time-delay		0.1-3S	SK420
		0.1-30S	SK422
		10-180S	SK424
Breaking time-delay		0.1-3S	SK430
		0.1-30S	SK432
		10-180S	SK434

■ FC6 Side auxiliary contact



Pole	Contact		Wiring diagram	Reference
	NO	NC		
2P	0	2		FC602
	1	1		FC611
	2	0		FC620

Motor Control & Protection

CJX2 AC Contactor

Standard: IEC 60947-4-1



Accessories



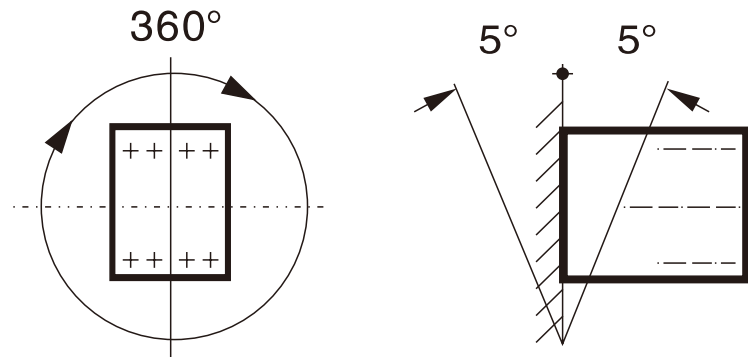
■ Mechanical interlocking module

Contactor Specifications	Reference
CJX2-9~32	FR632H
CJX2-40~95	FR695HX

Working Conditions

- Ambient temperature: $-5^{\circ}\text{C} \sim +40^{\circ}\text{C}$, the daily average temperature $\leq 35^{\circ}\text{C}$
- Altitude: ≤ 2000 m
- Humidity: Maximum temperature is $+40^{\circ}\text{C}$, air relative humidity of not more than 50%, at a lower temperature allows a higher relative humidity. For example, 20°C , when up to 90%, and occasionally due to temperature changes resulting from Gel should take special measures
- Pollution Level: 3
- Installation Type: III
- Installation position: should be installed in the absence of a significant shake and shock and vibration place

Install Location



CJX2 AC Contactor

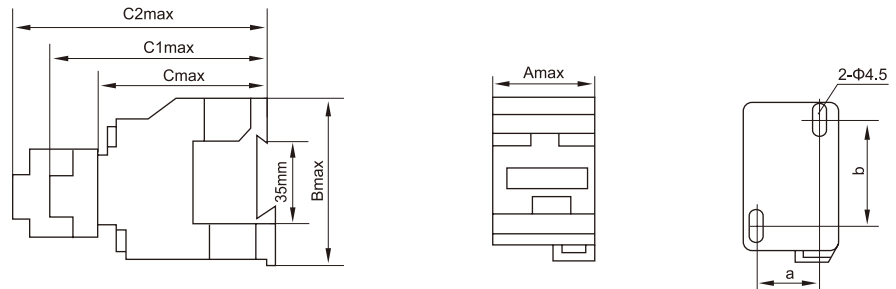
Standard: IEC 60947-4-1



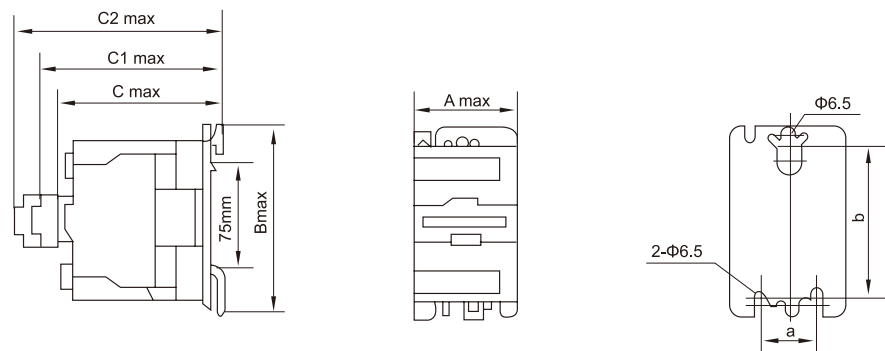
Overall Dimensions

Unit:mm

■ CJX2-09~32



■ CJX2-40~95



Product Type	Amax	Bmax	Cmax	C ₁ max	C ₂ max	a	b	d
CJX2-09~12	47	76	82	115	115	35	50/60	4.5
CJX2-18	47	76	87	120	120			
CJX2-25	57	86	97	130	130	40	50/60	4.5
CJX2-32	57	86	102	135	135			
CJX2-40~65	77	129	116	149	149	40	100/110	6.5
CJX2-80~95	87	129	127	160	160			

Note: C₁max is auxiliary contact group +F4 C₂max is air-delay contact+SK4