

# ABOUT CHINT



## CHINT A leading global provider of smart energy solutions

CHINT was established 38 years ago in 1984 and built from the capital of approximately 8,000 US dollars. With our rapid development these years, CHINT has become the world's leading intelligent energy solutions provider for the whole industrial chain with the most complete product ranges. In 2021, our annual sales revenue exceeded 16.1 billion dollars and total assets of more than 16.2 billion.

Over two decades of global expansion, our business network covers more than 140 countries and regions worldwide in business industries of low-voltage electric, power transmission and distribution, smart technology, energy instruments and meters, green energy, solar and more. CHINT has more than 40,000 employees worldwide, creating more than 200,000 jobs in the industrial chains.

As the market localization progresses steadily, CHINT Global further establishes its supply chain through business integration and industrial upgrade. Optimizing the service system and project financing, providing innovatively integrated technical services for the global energy market, and a flexible working business model. energy, intelligent manufacturing and digital technology, CHINT has adopted "One Cloud & Two Nets" as the business strategy, takes "CHINT Cloud" as the carrier of intelligent technology and data application, and takes the lead in building the energy Internet of things (EIoT) and industrial Internet of things platforms (IIoT).

Focusing on the energy system of supply, storage, transmission, distribution and consumption, CHINT has core businesses of clean energy, energy distribution, big data and energy value-added services. Furthermore, CHINT's pillar businesses include photovoltaic equipment, energy storage, power transmission & distribution, low-voltage apparatuses, intelligent terminals, software development and control automation. By developing into a platform-based enterprise, CHINT provides a package of energy solutions for public institutions, industrial & commercial users and end-users, by building a regional smart energy operation ecosphere.

### Main Businesses



Clean Energy



Low-voltage Apparatus



Power Transmission and Distribution



Instrumentation and Apparatus



Smart Home



Intelligent Building



Intelligent Manufacturing



Industry Automation



Smart Heating



Smart Water



Home Electrical Apparatus



Energy Efficiency Management

# ABOUT CHINT LOW VOLTAGE

Zhejiang CHINT Electrics Co., Ltd. is a wholly owned subsidiary of CHINT Group. Cultivating R&D, manufacturing and sales of low-voltage products, we provide system solutions for building, power supply, hoisting, HVAC, telecommunication and other industrial customers. For nearly 40 years since its founding, CHINT Electrics has provided reliable products and services to over 140 countries and regions. Today, CHINT has grown to be one of the world's renowned low-voltage brands.

## CHINT Honors

### 2022

- "AAAAA" standardized good behavior certificate
- "Global Partnership" and "Countries along the Belt and Road" in the "2021 Best Practices for Realizing the Sustainable Development Goals".
- CSR Impact Leading Enterprise

### 2021

- No. 1 in "China's Top 100 Private Enterprises with Social Responsibility" in 2021
- For 8 consecutive years, CHINT has won the sales champion of Tmall double 11 in electrical and hardware industry
- No. 92 in "2021 China's Top 500 Private Enterprises".
- No. 244 in "2021 Top 500 Chinese Enterprises"
- The intelligent manufacturing factory of low-voltage electrical appliances was selected as the national "2021 Intelligent Manufacturing Demonstration Factory".

### 2020

- CHINT was selected in the 2020 Zhejiang Province "Future Factory" recognized list, and was rated as the leading "Leading Goose Factory".
- The key inverter technology of CHINT won the second prize of China Electric Power Science and Technology.
- CHINT Astrometry was selected as the smart PV demonstration enterprise list of the Ministry of Industry and Information Technology and won the honor of "Influential PV cell/module brand", "Influential PV EPC / End User", "Influential PV power station operation and maintenance brand".

### 2019

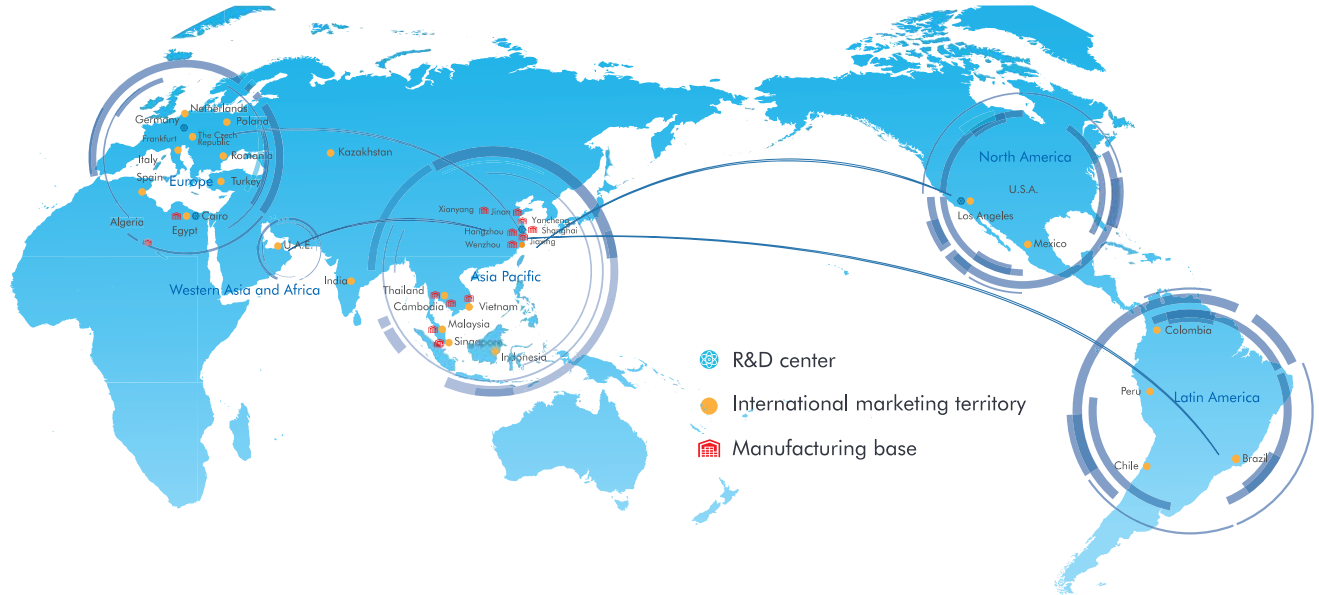
- National Green Factory
- National Industrial Design Center of the MIIT
- Global Top 20 PV Enterprise
- China's Top 10 Successful PV Enterprise
- Top 100 Innovative Enterprises in Zhejiang Province
- Technology innovation system was awarded the 2018 Science and Technology Progress Award in Zhejiang

## Qualification Certification

The products have been accredited through China Compulsory Certification (CCC) as well as UL of US, CE of EU, VDE and TÜV of Germany, KEMA of Netherlands, RCM of Australia, RCC of South Africa and other international product certifications.



# GLOBAL FOOTPRINT



**4** National R&D Centers: North America, Europe, Asia Pacific, North Africa

**6** International Marketing Territories: Asia Pacific, Western Asia and Africa, Europe, Latin America, North America, China

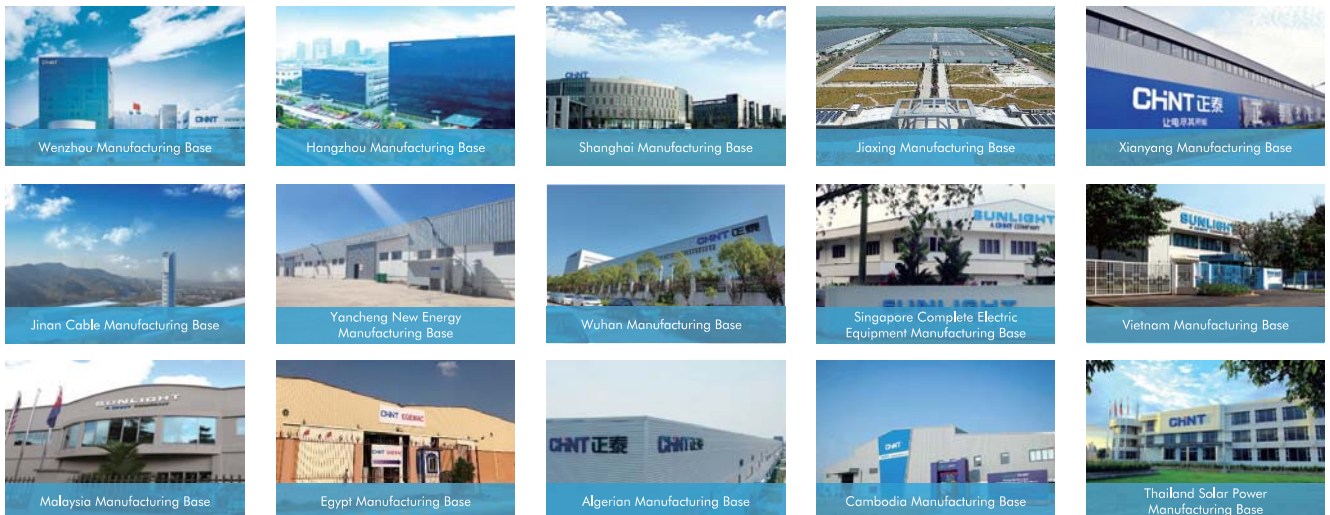
**14** Manufacturing Bases: China (Wenzhou, Hangzhou, Shanghai, Jiaxing, Xianyang, Jinan, Yancheng), Thailand, Singapore, Vietnam, Malaysia, Egypt, Algeria and Cambodia

**20+** International Logistics Centers

**2300+** Sales Companies

## GLOBAL CAPACITY LAYOUT

The industrial manufacturing bases are mainly located in Wenzhou, Hangzhou, Shanghai, Jiaxing, Xianyang and Yancheng. Additionally, CHINT has set up factories in Thailand, Singapore, Vietnam, Malaysia, Egypt, Cambodia etc.



# R&D, QUALITY, SALES, LOGISTICS

## Main Advantages

### Global R&D System

CHINT has established national R&D centers in North America, Europe, Asia Pacific, North Africa and other areas. We have explored the mode of Industry-University Research Institute Collaboration and Integration together with the universities and research institutions worldwide so as to integrate the global innovation resources and promote corporate R&D innovation and talent cultivation.



24 research institutes



The average annual R&D investment accounts for 4-12% of the revenue



Over 6000 patents in total

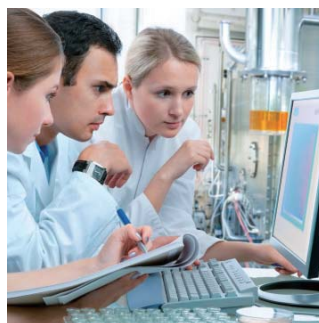
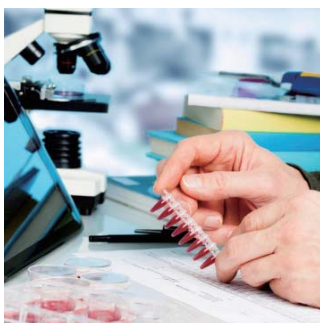
## Global Certification

The products have passed the standards and specifications in various regions around the world and obtained numerous international certifications



## Honors

- No. 1 in China's Top 100 Private Enterprises with Social Responsibility in 2021
- No. 92 in 2021 China's Top 500 Private Enterprises
- No. 244 in 2021 Top 500 Chinese Enterprises
- The intelligent manufacturing factory of low-voltage electrical appliances was selected as the national 2021 Intelligent Manufacturing Demonstration Factory



### Integrated Vertical R&D

By gathering the global industry elites to Provide safe and stable energy-saving green and advanced electric products.

### Great Quality System

Ensuring flaw-free and trouble-free products, the multi-dimensional and multilevel control is conducted through procurement, inspection, quality control and certification.

### One-stop Services

CHINT's concept is that it is not difficult to fulfill a high-quality logistics distribution at one time, while it is difficult to stay as accurate and prompt as the first-time. High-efficiency and high-precision accuracy are our requirement.

### 48-Hour Response

Providing end-to-end one-stop services for customers with complains, business consulting and technical support by solving problems immediately and including any possible problems in advance.

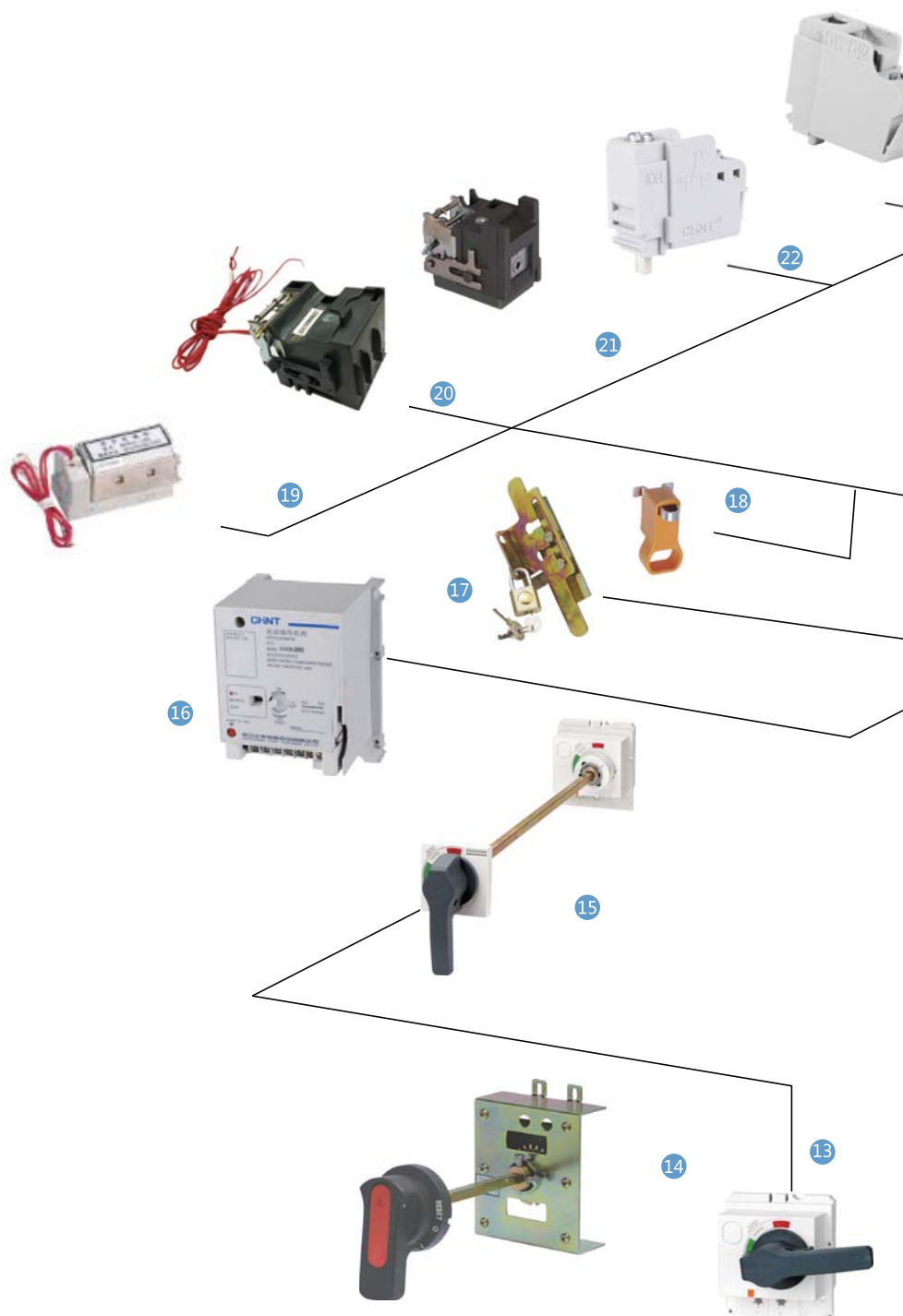
5%

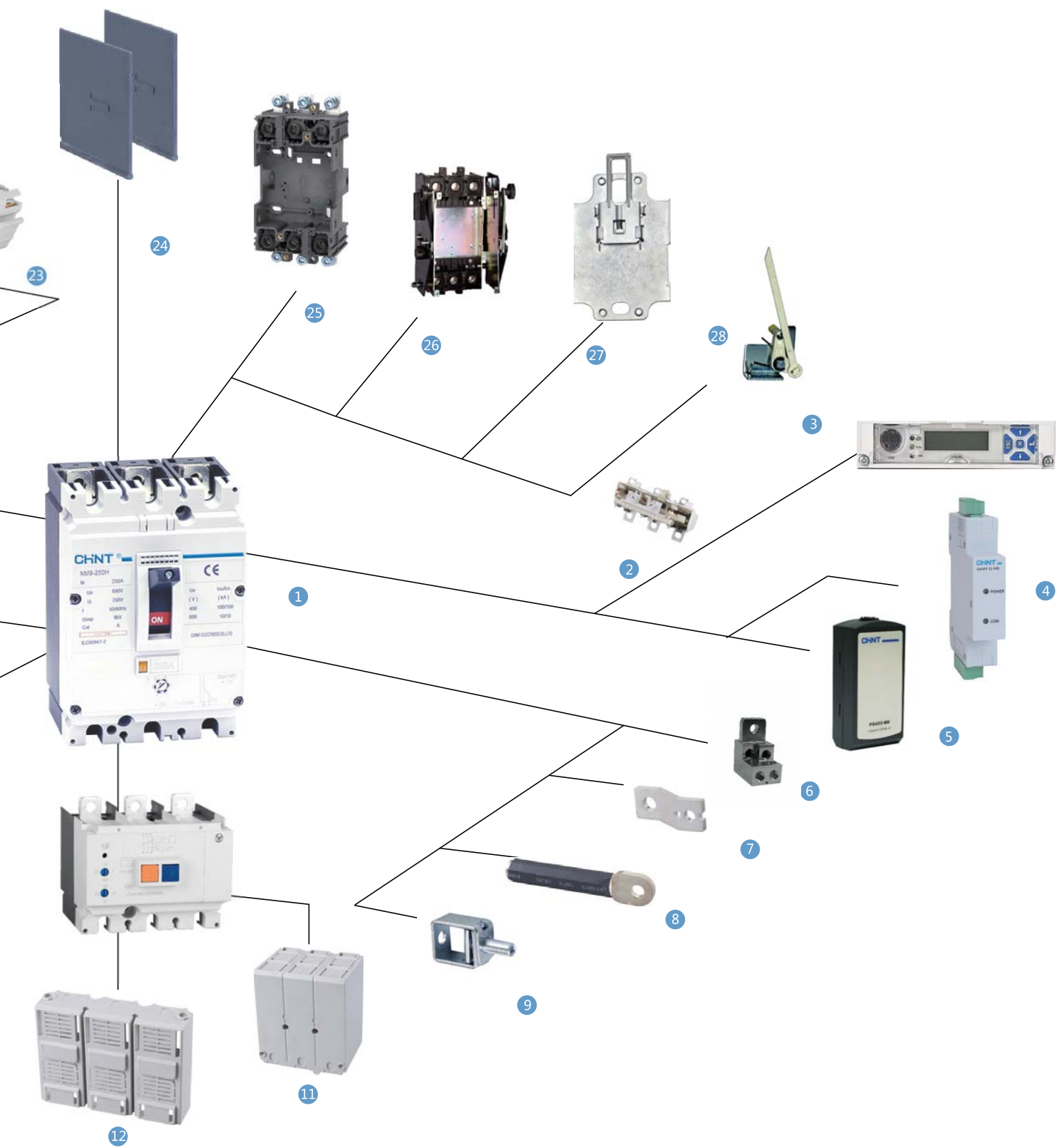
At least 5% of revenue is invested in research and development



## NM8N Moulded Case Circuit Breaker

- 1 Body
- 2 Thermo magnetic release
- 3 Electronic release
- 4 Communication module
- 5 **Battery box**
- 6 Cable connector
- 7 Front connection plate
- 8 Rear connection plate
- 9 Cage clamp terminal
- 10 Residual current protection module
- 11 Long terminal cover
- 12 Short terminal cover
- 13 Direct rotary handle
- 14 Economic extended rotary handle
- 15 Extended rotary handle
- 16 Motor driven operating mechanism
- 17 Mechanical interlock
- 18 Locking system
- 19 Closing electromagnet
- 20 Under-voltage release
- 21 Shunt release
- 22 Alarm contact
- 23 Auxiliary contact
- 24 Interphase barrier
- 25 Plug-in base
- 26 Draw-out base
- 27 DIN rail adaptor
- 28 Plug and pull safety device





## Contents

1. General .....	01
2. Operating conditions .....	01
3. Type designation .....	02
4. Technical data.....	04
5. Release.....	10
6. Tripping curve .....	13
7. Mounting of circuit breaker.....	20
8. Overall and Mounting Dimensions .....	21
9. Accessories characteristics and installation .....	49
10. Technical Supplement .....	71
11. Ordering notice .....	80



## 1. General

NM8N series moulded case circuit breaker is suitable for the circuit of AC 50/60Hz, with rated voltage AC690V and below, DC system rated voltage DC1000V and below, and rated current of 16A and 1600A. It can protect circuits and electric equipment against overload, short circuit or undervoltage, and can also provide protection of overload, short circuit and under voltage for infrequent start of motor.

Products have functions of power distribution protection, motor protection, residual current protection and isolation.

The circuit breaker can be installed vertically, installed horizontally and can also enter the line from the bottom.

Standards compliant:

IEC 60947-1 general rules for low-voltage switchgear and control equipment;

IEC 60947-2 low-voltage switchgear and control equipment circuit breakers;

IEC 60947-3 low-voltage switchgear and control equipment switches,

disconnectors and fuse combination appliances;

IEC 60947-4-1 Electromechanical contactors and motor starters (including motor protectors) for low voltage switchgear and control equipment.



## 2. Operating conditions

### 2.1 Temperature:

Operating and storage temperature is  $-40^{\circ}\text{C}\sim+70^{\circ}\text{C}$ ; the average value within 24 hours does not exceed  $+35^{\circ}\text{C}$ ; when the ambient temperature is  $-40^{\circ}\text{C}\sim+70^{\circ}\text{C}$ , users need to consider derating or temperature compensation whose details can be referred to in Page.

2.2 Altitude:  $\leq 2000\text{m}$ ;

2.3 Pollution grade: Grade 3;

2.4 IP grade: IP40

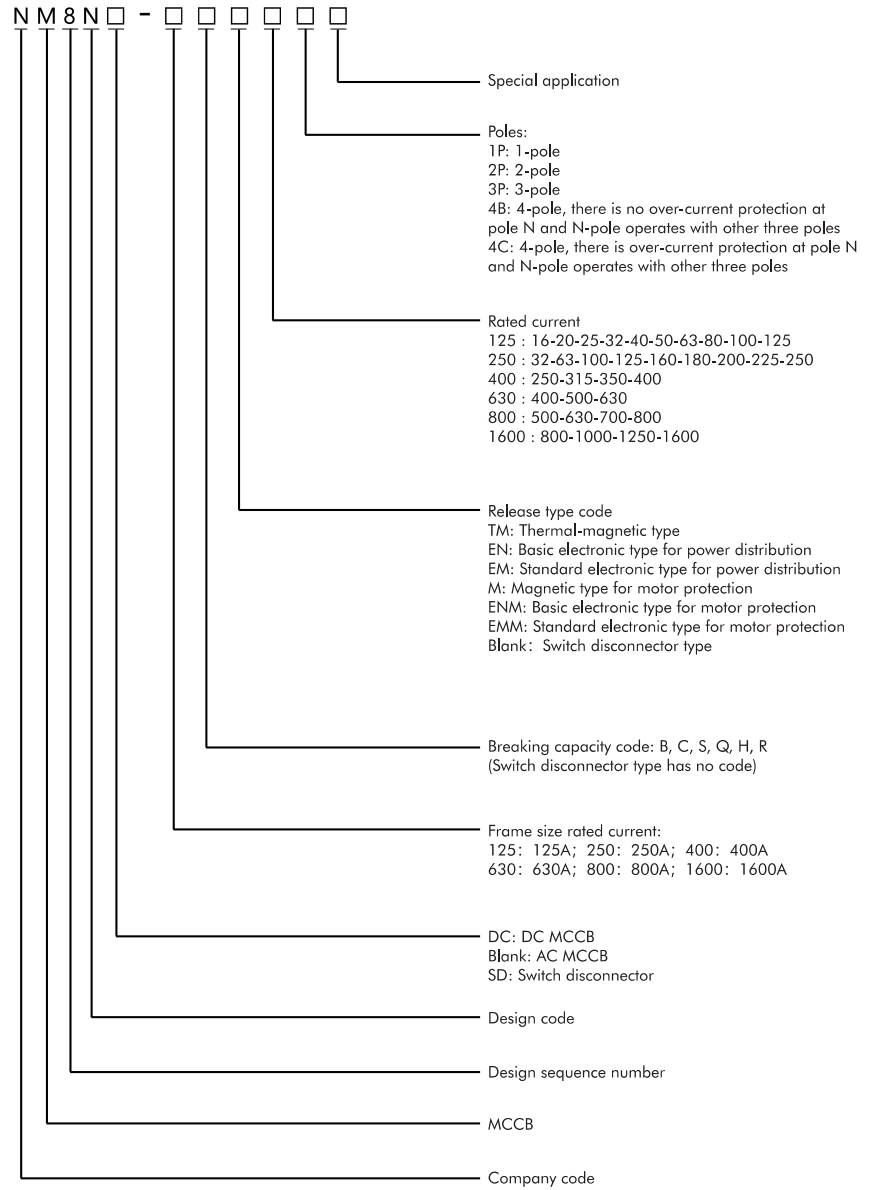
### 2.5 Air conditions:

At mounting site, relative humidity not exceed 50% at the max temperature of  $+40^{\circ}\text{C}$ , higher relative humidity is allowable under lower temperature. For example, RH could be 90% at  $+20^{\circ}\text{C}$ , special measures should be taken to occurrence of dews.



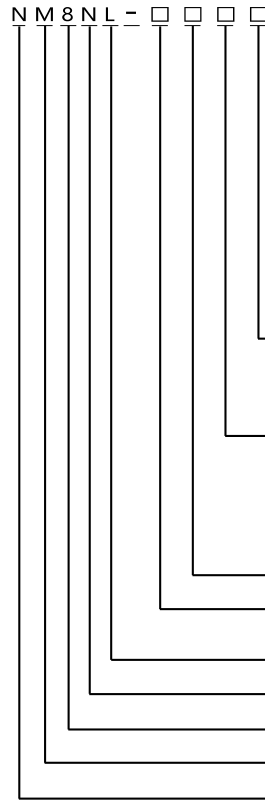
### 3. Type designation

#### 3.1 NM8N Moulded Case Circuit Breaker and Switch Disconnecter





### 3.2 NM8NL Residual Current Breaker



- Rated residual current code:
  - RCD1: 0.03-0.1-0.3-1A adjustable (Applicable to the frame size of 125-250-400-630)
  - RCD2: 0.05-0.2-0.5-2A adjustable (Applicable to the frame size of 125-250)
  - RCD3: 0.05-0.2-0.5-1A adjustable (Applicable to the frame size of 400-630)
  - RCD4: 0.1-0.3-1-2A adjustable (Applicable to the frame size of 400-630)
- Rated residual current type:
  - Default: AC type, A: A type
- Pole code:
  - 3P: 3-pole
  - 4P: 4-pole
- Frame size rated current:
  - 125: 125A; 250: 250A; 400: 400A; 630: 630A
- Residual current code
- Design code
- Design sequence number
- MCCB
- Company code

## 4. Technical data

NM8N Moulded Case Circuit Breaker		125	250								
Rated operating current $I_n$ (A), 40°C	Magnetic type	16-20-25-32-40-50-63-80-100-125					125-160-180-200-225-250				
	Thermal-magnetic type	16-20-25-32-40-50-63-80-100-125					125-160-180-200-225-250				
	Electronic type	—					32-63-100-160-250				
<b>Electric characteristics</b>											
Rated insulation voltage $U_i$ (V)		1000					1000				
Rated impulse withstand voltage (kV)		8					8				
Rated operational voltage $U_e$ (V), AC 50/60Hz		380/400/415,440,500,660/690					380/400/415,440,500,660/690				
Breaking capacity code		C	S	Q	H	R	C	S	Q	H	R
Number of poles	1P	■	■	—	—	—	■	■	—	—	—
	2P	■	■	■	■	■	■	■	■	■	■
	3P	■	■	■	■	■	■	■	■	■	■
	4P	■	■	■	■	■	■	■	■	■	■
Rated ultimate short-circuit breaking capacity $I_{cu}$ (kA)	AC220/230/240V <sup>1)</sup>	36	50	—	—	—	36	50	—	—	—
	AC380/400/415V	36	50	70	100	150	36	50	70	100	150
	AC440V	36	50	70	100	100	36	50	70	100	100
	AC500V	25	40	40	50	50	25	40	40	50	50
	AC660/690V	6	8	8	10	10	6	8	8	10	10
Rated service breaking capacity $I_{cs}$ (kA)	AC220/230/240V <sup>1)</sup>	36	50	—	—	—	36	50	—	—	—
	AC380/400/415V	36	50	70	100	150	36	50	70	100	150
	AC440V	36	50	70	100	100	36	50	70	100	100
	AC500V	25	40	40	50	50	25	40	40	50	50
	AC660/690V	6	8	8	10	10	6	8	8	10	10
Rated short-time withstand current $I_{cw}$ (kA, 1s)		—					1(32A,63A);2(100A,160A);3(250A)				
Standard		IEC/EN 60947-2									
Utilization category		A					A				
Ambient temperature		-40°C ~ +70°C <sup>2)</sup>									
Safety of insulation		■					■				
Arcing distance		0					0				
Mechanical life (CO recycle)	Maintenance	10000					10000				
	Electrical life (CO recycle)	2500					2500				
Electrical life (CO recycle)	AC415V, $I_n$	2000					1500				
	AC690V, $I_n$	2000					1500				
<b>Release units</b>											
Distribution protection	TM	■					■				
	EN	—					■				
	EM	—					■				
Motor protection	M	■					■				
	ENM	—					■				
	EMM	—					■				
<b>Mounting and connection</b>											
Fixed	Front connection	■					■				
	Rear connection	■					■				
Plug-in <sup>3)</sup>	Front connection	■					■				
	Rear connection	■					■				
Draw-out <sup>3)</sup>	Front connection	—					—				
	Rear connection	—					—				
DIN rail	Front connection	■					■				
<b>Dimension</b>											
Dimension (mm) W×H×D	Width (1P/2P/3P/4P)	35/62/90/120					10/70/105/140				
	Height	140					157				
	Depth	78.5					88.7				
<b>Weight</b>											
Weight(kg)/Fixed	1P	0.5					0.75				
	2P	0.83					1.3				
	3P	1.19					1.85(EM/M) ; 2.0(EN/EM)				
	4P	1.55					2.5(TM/M) ; 2.65(EN/EM)				

Note : <sup>1)</sup> For 1 pole product only;

<sup>2)</sup> The operating temperature of basic (dial code) electronic type is -35°C ~ +70°C ,and the operating temperature of standard (liquid crystal) electronic type is -25°C ~ +70°C ;

<sup>3)</sup> For 3/4 pole product only;

<sup>4)</sup> The data in "()" is for motor type.



NM8N DC Moulded Case Circuit Breaker		125	250									
Rated operating current In (A),40°C		16-20-25-32-40-50-63-80-100-125			125-160-180-200-225-250							
<b>Electric characteristics</b>												
Rated insulation voltage Ui (V)		1000			1000							
Rated impulse withstand voltage Uimp (kV)		8			8							
Rated operational voltage Ue (V),DC		250 , 500 , 750 , 1000			250 , 500 , 750 , 1000							
Breaking capacity code		B	C	S	Q	H	B	C	S	Q	H	
Number of poles	1P	■	■	■	—	—	■	■	■	—	—	
	2P	■	■	■	■	■	■	■	■	■	■	
	3P	■	■	■	■	■	■	■	■	■	■	
	4P	■	■	■	■	■	■	■	■	■	■	
Rated ultimate short-circuit breaking capacity Icu(kA)	DC250V 1P	25	36	50	—	—	25	36	50	—	—	
	DC500V 2P in series	25	36	50	70	100	25	36	50	70	100	
	DC750V 3P in series	25	36	50	70	100	25	36	50	70	100	
	DC1000V 4P in series	25	36	50	70	100	25	36	50	70	100	
Rated service breaking capacity Ics(kA)	DC250V 1P	25	36	50	—	—	25	36	50	—	—	
	DC500V 2P in series	25	36	50	70	100	25	36	50	70	100	
	DC750V 3P in series	25	36	50	70	100	25	36	50	70	100	
	DC1000V 4P in series	25	36	50	70	100	25	36	50	70	100	
Standard		IEC/EN 60947-2										
Utilization category		A			A							
Ambient temperature		-40°C ~+70°C										
Safety of insulation		■			■							
Arcing distance		0			0							
Mechanical life (CO recycle)	Maintenance free	15000			15000							
Electrical life (CO recycle)	DC1000V,In	2000			1500							
<b>Release units</b>												
Distribution protection	TM	■			■							
<b>Mounting and connection</b>												
Fixed	Front connection	■			■							
	Rear connection	■			■							
Plug-in <sup>1)</sup>	Front connection	■			■							
	Rear connection	■			■							
Draw-out <sup>1)</sup>	Front connection	—			—							
	Rear connection	—			—							
DIN rail	Front connection	■			■							
<b>Dimension</b>												
Dimension(mm) W×H×D	Width(1P/2P/3P/4P)	35/62/90/120			40/70/105/140							
	Height	140			157							
	Depth	78.5			88.7							
Weight												
Weight(kg)/Fixed	1P	0.5			0.75							
	2P	0.83			1.3							
	3P	1.19			1.85							
	4P	1.55			2.5							

Note : <sup>1)</sup> For 3/4 pole product only.



400					630					800					1600	
250-315-350-400					400-500					500-630-700-800					800-1000-1250-1600	
1000					1000					1250					1000	
12					12					12					8	
750 , 1000					750 , 1000					750 , 1000					750 , 1000	
B	C	S	Q	H	B	C	S	Q	H	B	C	S	Q	H	B	C
—	—	—	—	—	—	—	—	—	—	—	—	—	—	—	—	—
■	■	■	■	■	■	■	■	■	■	■	■	■	■	■	■	■
■	■	■	■	■	■	■	■	■	■	■	■	■	■	■	■	■
—	—	—	—	—	—	—	—	—	—	—	—	—	—	—	—	—
—	—	—	—	—	—	—	—	—	—	—	—	—	—	—	—	—
25	36	50	70	100	25	36	50	70	100	25	36	50	70	100	25	36
25	36	50	70	100	25	36	50	70	100	25	36	50	70	100	25	36
—	—	—	—	—	—	—	—	—	—	—	—	—	—	—	—	—
—	—	—	—	—	—	—	—	—	—	—	—	—	—	—	—	—
25	36	50	70	100	25	36	50	70	100	25	36	50	70	100	25	36
25	36	50	70	100	25	36	50	70	100	25	36	50	70	100	25	36
IEC/EN 60947-2																
A					A					A					A	
-40C ~+70C																
■					■					■					■	
0					0					0					0	
15000					15000					10000					6000	
1500					1500					1000					1000	
■					■					■					■	
■					■					—					■	
■					■					■					—	
■					■					—					—	
■					■					—					—	
■					■					■					—	
—					—					—					—	
140/185					140/185					195/260					210/280	
255					255					300					286	
113					113					133					167	
—					—					—					—	
—					—					—					—	
5.2					5.5					10.3					13.5	
6.7					7					13.5					17.5	

NM8NL Residual Current protection module		125	250	400	630
Rated operating current I <sub>n</sub> (A), 40°C		125	250	400	630
Number of poles		3P, 4P	3P, 4P	3P, 4P	3P, 4P
<b>Electric characteristics</b>					
Rated insulation voltage U <sub>i</sub> (V)		1000	1000	1000	1000
Rated insulation voltage U <sub>imp</sub> (kV)		8	8	12	12
Rated operational voltage U <sub>e</sub> (V),AC 50/60Hz		380/400/415、440	380/400/415、440	380/400/415、440	380/400/415、440
Rated current (A) of circuit breaker	TM	16-20-25-32-40-50-63-80-100-125	125-160-180-200-225-250	250-315-350-400A	400-500A
	EN	—	32-63-100-160-250	250-400	400-630
	EM	—	32-63-100-160-250	250-400	400-630
	M	16-20-25-32-40-50-63-80-100-125	125-160-180-200-225-250	250-315-350-400A	400-500A
	ENM	—	32-63-100-160-250	250-400	400-630
	EMM	—	32-63-100-160-250	250-400	400-630
	Rated residual operating current I <sub>Δn</sub> (A)	RCD1 ( Four-step adjustable )	0.03-0.1-0.3-1	0.03-0.1-0.3-1	0.03-0.1-0.3-1
RCD2 ( Four-step adjustable )		0.05-0.2-0.5-2	0.05-0.2-0.5-2	—	—
RCD3 ( Four-step adjustable )		—	—	0.05-0.2-0.5-1	0.05-0.2-0.5-1
RCD4 ( Four-step adjustable )		—	—	0.1-0.3-1-2	0.1-0.3-1-2
Rated residual non-operating current I <sub>Δno</sub> (A)		0.5I <sub>Δn</sub>	0.5I <sub>Δn</sub>	0.5I <sub>Δn</sub>	0.5I <sub>Δn</sub>
Limit non-actuating time (ms) <sup>1)</sup>		Δt : 0-60-200-500			
Maximum breaking time (ms)	Total breaking time (adjustable)	100-300-500-1000	100-300-500-1000	100-300-500-1000	100-300-500-1000
Rated residual making and breaking capacity I <sub>Δm</sub> (kA)		0.25I <sub>cu</sub>	0.25I <sub>cu</sub>	0.25I <sub>cu</sub>	0.25I <sub>cu</sub>
Leakage alarm non-tripping function		<input type="checkbox"/>	<input type="checkbox"/>	<input type="checkbox"/>	<input type="checkbox"/>
Standard		IEC/EN 60947-2			
Residual current type		A/AC	A/AC	A/AC	A/AC
Safety of insulation		■	■	■	■
Ambient temperature		-25°C ~+70°C			
Arcing distance		0	0	0	0
<b>Dimension</b>					
Dimension with circuit breaker (mm) W×H×D	Width ( 3P/4P )	90/120	105/140	140/185	140/185
	Height	205	232	355	355
	Depth	78.5	88	113	113
<b>Weight</b>					
Weight of residual current protection module (kg)	3P	0.43	0.84	1.98	1.98
	4P	0.51	1.08	2.69	2.68

Note : <sup>1)</sup> When the residual operating current is set to 0.03A, the limit non-actuating time must be set to 0.

NM8NSD Switch Disconnecter		125			250			400		800		1600	
NM8NSD Switch Disconnecter Ith(A),40°C		125			250			400		800		1600	
Number of poles		2P	3P	4P	2P	3P	4P	3P	4P	3P	4P	3P	4P
Rated operational current Ie(A)		125			250			400		800		800-1000-1250-1600	
Rated operational voltage Ue(V)	AC (50/60Hz)	690			690			690		690		415/690	
	DC	500	750	1000	500	750	1000	750	1000	750	1000	750	1500
Rated insulation voltage Ui(V)		1000			1000			1000		1250		AC : 1000 DC : 1500	
Rated impulse withstand voltage Uimp(kV)		8			8			12		12		12	
Rated short-circuit making capacity Icm(kA)		3.2 (AC)/2(DC)			5(AC)/3.2(DC)			8(AC)/5(DC)		14		40(AC)/19.2(DC)	
Rated short-time withstand current Icw(kA)	1s	2			3.2			5		8/10		20(AC)/19.2(DC)	
	3s	2			3.2			5		8/10		20	
Standard		IEC/EN 60947-3, GB/T 14048.3											
Utilization category		AC-22A/AC-23A DC-22A/DC-23A			AC-22A/AC-23A DC-22A/DC-23A			AC-22A/AC-23A DC-22A/DC-23A		AC-22A/AC-23A DC-22A/DC-23A		AC-22A/AC-23A DC-22A/DC-23A	
Safety of insulation		■			■			■		■		■	
Ambient temperature		-40°C ~ +70°C											
Arcing distance		0			0			0		0		0	
Mechanical life (CO recycle)	Maintenance free	15000			15000			15000		10000		6000	
	AC415V,In	8000			6000			4000		2000		1000	
Electrical life (CO recycle)	AC690V,In	2000			1500			1500		1000		1000	
	DC1000V,In	2000			1500			1500		1000		1000	
Mounting and connection													
Fixed	Front connection	■			■			■		—		■	
	Rear connection	■			■			■		■		■	
Plug-in <sup>1)</sup>	Front connection	■			■			■		—		—	
	Rear connection	■			■			■		—		—	
Draw-out <sup>1)</sup>	Front connection	—			—			■		■		—	
	Rear connection	—			—			■		■		—	
DIN rail	Front connection	■			■			—		—		—	
Dimension													
Dimension(mm) W×H×D	Width(2P/3P/4P)	62/90/120			70/105/140			140/185		195/260		210/280	
	Height	140			157			255		300		286	
	Depth	78.5			88.7			113		133		167(195) <sup>2)</sup>	
Weight													
Weight(kg)/Fixed	2P	0.81			1.1			—		—		—	
	3P	1.05			1.75			5		9.5		13(15.5) <sup>2)</sup>	
	4P	1.5			2.4			5.5		12.5		17(19.5) <sup>2)</sup>	

Note : <sup>1)</sup> For 3/4 pole product only;

<sup>2)</sup> The data in "( )" is for motor type.

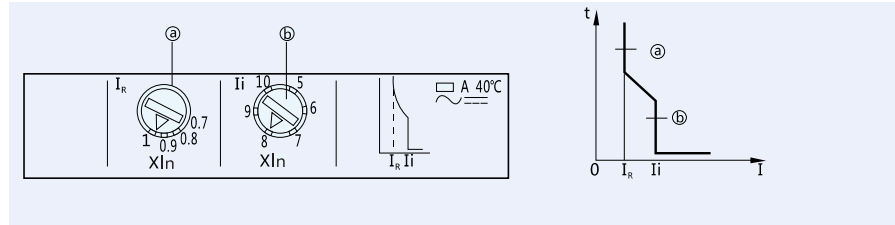


## 5. Release

### 5.1 Protection for power distribution

#### 5.1.1 Thermo-magnetic type release TM

Thermo-magnetic release of NM8N-125, 250, 400, 630, 800 and 1600 breakers can be set to meet protection requirements



Thermo-magnetic release TM	125	250	400	630	800	1600
Number of poles	1P	2P/3P/4P	1P	2P/3P/4P	3P/4P	3P/4P
Rated current	16/20/25 32/40/50 63/80/100/125	125/160 180/200 225/250	125 160	180 200/225 250	250/315 350/400	400/500 500/630 700/800
Over-load protection						
Setting current (A) $I_r = I_r \times x$	1.0 Non-adjustable	0.7-0.8-0.9-1.0	1.0 Non-adjustable	0.7-0.8-0.9-1.0		0.7-0.8-0.9-1.0
Short-circuit instantaneous protection						
Setting current (A) $I_i = I_i \times x$	10	10	7-8-9-10-11-12	5-6-7-8-9-10	6-7-8-9-10	
Accuracy	±20%					
N-pole protection						
Setting current (A) $I_{IN} = I_r \times x$	/	10	/	The same with the other three-phase poles.		
Accuracy	±20%					

#### 5.1.2 Basic electronic type release for power distribution EN

EN electronic trip unit has three-stage protection of overload, short circuit short time-delay and short circuit instantaneous protection.

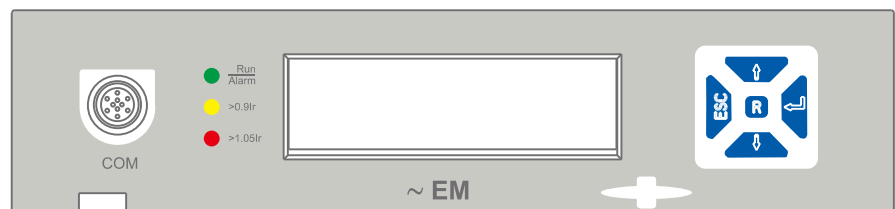


Electronic type EN	250	400	630	800	1600
Over-load long-time delay protection	Setting current $I_r = I_r \times x$	0.4-0.5-0.6-0.7-0.8-0.9-0.95-1.0			
	$6I_r$ , Tripping time $T_r$ (s)	3-6-12-18, Accuracy ±10%			
Short circuit short-time delay protection	Setting current $I_{sd} = I_r \times x$	1.5-2-3-4-6-8-10, OFF, Accuracy ±15%			
	Tripping time $T_{sd}$ (s)	0.1-0.2-0.3-0.4, Accuracy ±20% or ±40ms(higher value will be selected)			
Short circuit instantaneous protection	Setting current $I_i = I_r \times x$	2-3-4-6-8-10-12, OFF, Accuracy ±15%			
	Max. tripping time (ms)	60			
Neutral line protection	Setting current	$I_{IN} = (0.5, 1) \times I_r$ , OFF; $I_{sdN} = (1.5-2-3-4-6-8-10) I_{IN}$			
	Tripping time (s)	$I_{IN} = (2-3-4-6-8-10-12) I_{IN}$			
		The same with the other three-phase poles.			

- Overload protection and tripping time setting  
—The current value  $I_r$  can be adjusted according to the user's needs. The tripping time  $T_r$  is at the status of  $6I_r$ .
- Short circuit short-time delay protection and trip time setting  
—The current value  $I_{sd}$  can be adjusted according to the user's needs. Tripping time  $T_{sd}$  is the shortcircuit short time-delay tripping time, which can be adjusted according to user needs.
- Short circuit instantaneous protection characteristics setting  
—The current value  $I_i$  can be adjusted according to the user's needs.
- Neutral line protection feature setting  
The four-pole circuit breaker N-pole protection current value can be adjusted according to user needs. The N pole tripping time is the same with the other three-phase poles.

#### 5.1.3 Standard electronic type release for power distribution EM

EM release has four-stage protection of overload, short circuit short-time delay, short circuit instantaneous protection and earth fault, with real-time current display, protection parameter.



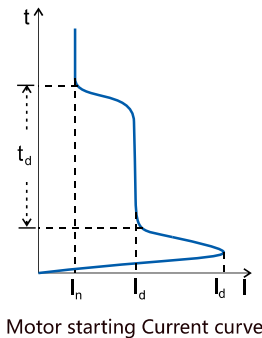


information display, fault information display and parameter setting function

Electronic type EM		250	400	630	800	1600
Over-load long-time delay protection	Setting current $I_l=I_r \times x$	0.4~1.0, Stepping1A				
	$6I_l$ , Tripping time $T_r(s)$	3~18, 1s, Accuracy $\pm 10\%$				
Short circuit short-time delay protection	Setting current $I_{sd}=I_r \times x$	1.5~10, Stepping1A, OFF, Accuracy $\pm 15\%$				
	Tripping time $T_{sd}(s)$	0.1-0.2-0.3-0.4, Accuracy $\pm 20\%$ or $\pm 40ms$ (higher value will be selected)				
Short circuit instantaneous protection	Setting current $I_i=I_r \times x$	1.5~12, Stepping1A, OFF, Accuracy $\pm 15\%$				
	Max. tripping time (ms)	60				
Earth fault protection	Setting current $I_g=I_r \times x$	0.4-0.5-0.6-0.7-0.8-0.9-1.0, OFF, Accuracy $\pm 15\%$				
	Tripping time (s)	0.1-0.2-0.3-0.4, Accuracy $\pm 15\%$				
Neutral line protection	Setting current	$I_{rN}=(0.5,1) \times I_r$ ; $I_{sdN}=(1.5\sim 10)I_{rN}$ ; $I_{iN}=(1.5\sim 12)I_{rN}$ , able to turn OFF				
	Tripping time (s)	The same with the other three-phase poles.				



- Overload protection and tripping time setting
  - Current setting value  $I_r$ , the user can adjust the range according to the  $\uparrow$  and  $\downarrow$  buttons on the panel, the range is (0.4~1.0)  $I_n$ , and the tripping time  $T_r$  is at the status of  $6I_r$ , which can be adjusted according to user needs.
- Short circuit short-time delay protection and tripping time setting
  - The current setting value  $I_{sd}$  can be adjusted according to the user's needs, and the "OFF" indicates function can be turned off. Tripping time  $T_{sd}$  is the short-circuit short-time delay tripping time, which can be adjusted according to user needs.
- Short circuit instantaneous protection characteristics setting
  - The current setting value  $I_i$  can be adjusted according to the user's needs, and the "OFF" indicates function can be turned off.
- Neutral line protection feature setting
  - Neutral line protection of the four-pole circuit breaker (current setting value  $I_{rN}$ ), the setting range is  $0.5I_n$ ,  $1I_n$  or OFF, which can be adjusted according to the user's needs. The "OFF" position indicates that the N pole has no protection function.
- Earth fault protection
  - Earth fault  $I_g$  can be adjusted according to user needs, where the "OFF" means the function can be turned off.



## 5.2 Protection for motor

### 5.2.1 Motor starting characteristics

At present, most of the motors use three-phase asynchronous induction motors, and a large part of them use the direct start mode, namely, the electric energy does not take artificial restriction measures, and directly feeds to start the motor, which is also called full-pressure start. When the asynchronous motor is directly started, a high starting current of 4 to 7 times of the rated current occurs. The reason why the asynchronous motor has a large starting current is that the motor has certain inertia, and the rotor speed cannot be immediately changed to the rated speed after starting. At this time, the relative rotational speed of the rotating magnetic field of the stator (synchronous speed of the motor, slightly higher than the rated speed) is large. The rotor winding cuts the stator magnetic field at a large speed to generate a large current; at the same time, the magnetic field generated by the large current of the rotor in turn induces the stator winding, so that the current also rapidly increases.

Startup parameter

Rated current ( $I_n$ ): current value of the motor under rated operation

Starting current ( $I_d$ ): The current when the motor starts, its magnitude varies with different conditions, the average value is  $7.2 \times I_n$

Start peak current ( $I_d$ ): Transient current during the first two half-waves after the motor is powered on, typically  $14 \times I_n$

Start-up time ( $t_d$ ): generally 0.5~20s, which refers to the time when the motor has starting current

Direct startup impact on the protection device

For circuit breakers with magnetic protection, if the conventional current of the magnetic trip unit is set incorrectly, the circuit breaker will mistake the start current of the motor for short-circuit current, causing the circuit breaker to malfunction. For the independent thermal relay, the heat generated by the large starting current during the motor starting phase will also cause the relay to trip. For the contactor, if the motor needs electric or regenerative braking, it needs to be able to be broken during the motor starting phase. It generally needs to derate, in order to avoid the malfunction of the protection device caused by the start current: The inverse time characteristic curve of the independent thermal relay is required to be completely above the starting current.

The short-circuit current trip setting of the circuit breaker with magnetic protection should be greater than the peak starting current of the motor.

### 5.2.2 Protection solution

The NM8N Series offers start-up, control and protection solutions for two three-phase asynchronous motors:



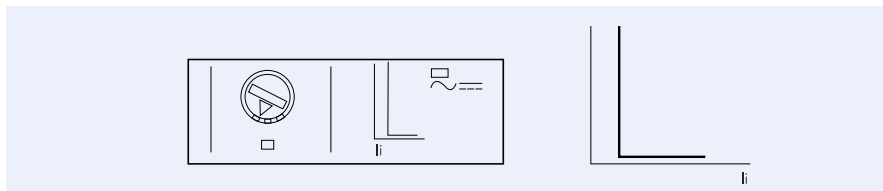
Three-component solution

Electromagnetic protection circuit breaker + contactor + thermal relay

Among them, the electromagnetic protection circuit breaker is used for short circuit protection, the contactor is used for motor operation, and the thermal relay is used for overload, phase loss and phase unbalance protection.

1) Magnetic release M

The electromagnetic protection circuit breaker has a current range of 125~800A, an adjustable range of 9~14In and an accuracy of 20%. It is especially suitable for use in the classic three-component protection solution.



Magnetic M	125	250	400	630	800
Pole	3P/4P	3P/4P	3P/4P	3P/4P	3P/4P
Short circuit instantaneous protection					
Setting current (A) $I_i=I_n \times$	12	9-10-11-12-13-14			
Accuracy	±20%				
N pole protection					
Setting current (A) $I_{iN}=I_n \times$	12	The same with the other three-phase poles.			
Accuracy	±20%				

Two-component solution

Integrated protection electronic circuit breaker + contactor

In the two-component solution, there is no need to use the thermal relay, and the integrated protection electronic circuit breaker has the functions of overload, phase loss, phase unbalance protection and short circuit protection. The integrated protection electronic circuit breaker not only has high tripping precision, but also has reliable operation. The two-component solution consisting of contactors and the installation time can be saved without being affected by the ambient temperature.

2) Integrated protection: Basic electronic type release for motor protection ENM

The ENM electronic trip unit allows for tighter tolerance trip times, as detailed in the table below.

Electronic type ENM		250	400	630	800
Overload long-time delay protection	Setting current $I_r=I_n \times$	0.4-0.5-0.6-0.7-0.8-0.9-1.0, OFF			
	7.2I <sub>n</sub> , Tripping time T <sub>r</sub> (s)	4, 8, 16, Accuracy ±10%	4, 8, 16, 24, Accuracy ±15%		
	Tripping level	5, 10, 20	5, 10, 20, 30		
Short circuit short-time delay protection	Setting current $I_{sd}=I_n \times$	5-6-8-9-10-11-12, OFF, Accuracy ±15%			
	Tripping time T <sub>sd</sub> (ms)	100, Accuracy ±40			
Short circuit instantaneous protection	Setting current $I_r=I_n \times$	15 <sup>1)</sup>			
	Max. tripping time (ms)	60			
Phase unbalance/Phase failure $I_{unbal}$		30%-40%-50%-60%-70%-80%-90% (Phase failure)-OFF			
Max. trip time of phase imbalance (s)		4-6-8-10, Accuracy ±20%			
Tripping time of phase failure (s)		0.25, Accuracy ±20%			
Neutral line protection	Setting current	$I_{iN}=(0.5,1) \times I_n$ ; $I_{iN}=(5-6-8-9-10-11-12)I_{iN}$ $I_{iN}=15I_{iN}$ , OFF			
	Tripping time	The same with the other three-phase poles			

Note: <sup>1)</sup> Setting current  $I_{sd} < I_n$  (within tolerance).

3) Integrated protection: Standard electronic type release for motor protection EMM

The EMM electronic release not only has the protection function of the ENM release, but also adds ground fault protection and stall protection. Moreover, it can also display real-time current, display protection parameter information, display fault information, and have parameter setting function.

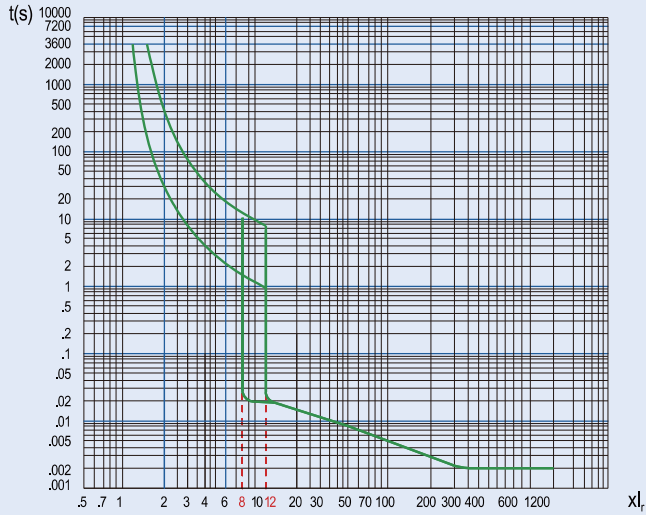
Electronic type EMM		250	400	630	800
Overload long-time delay protection	Protection current $I_r=I_n \times$	0.4~1.0, Stepping, OFF			
	7.2I <sub>n</sub> , Tripping time T <sub>r</sub> (s)	4, 8, 16, Accuracy ±10%	4, 8, 16, 24, Accuracy ±10%		
	Tripping level	5, 10, 20	5, 10, 20, 30		
Short circuit short-time delay protection	Setting current $I_{sd}=I_n \times$	4~12, Stepping 1A, OFF, Accuracy ±15%			
	Tripping time T <sub>sd</sub> (ms)	100, Accuracy ±40			
Short circuit instantaneous protection	Protection current $I_r=I_n \times$	15 <sup>1)</sup>			
	Max. tripping time (ms)	60			
Earth fault protection	Protection current $I_g=I_n \times$	0.4-0.5-0.6-0.7-0.8-0.9-1.0, OFF, Accuracy ±15%			
	Tripping time (s)	0.1-0.2-0.3-0.4, Accuracy ±20% or 40ms (higher value will be selected)			
Phase unbalance/Phase failure $I_{unbal}$		30%-40%-50%-60%-70%-80%-90% (Phase failure)-OFF			
Max. trip time of phase imbalance (s)		4-6-8-10, Accuracy ±10%			
Tripping time of phase failure (s)		0.25, Accuracy ±20%			
Locked-rotor current $I_{orm}$		(3~10)I <sub>n</sub> , Stepping 1A, OFF (Default), Accuracy ±15%			
Tripping time T <sub>orm</sub> (s)		1~30, Step size 1s, Default 5, Accuracy ±10%			
Neutral line protection	Setting current	$I_{iN}=(0.5,1) \times I_n$ , OFF; $I_{iN}=(4~12)I_{iN}$ ; $I_{iN}=15I_{iN}$ , OFF			
	Tripping time	The same with the other three-phase poles			

Note: <sup>1)</sup> Setting current  $I_{sd} < I_n$  (within tolerance).

## 6. Tripping curve

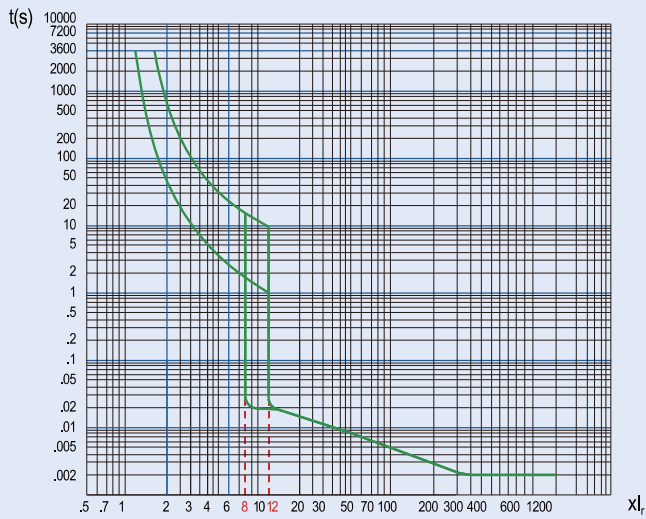
### 6.1 Thermal-magnetic type for power distribution

NM8N-125(16A,20A,25A,32A)

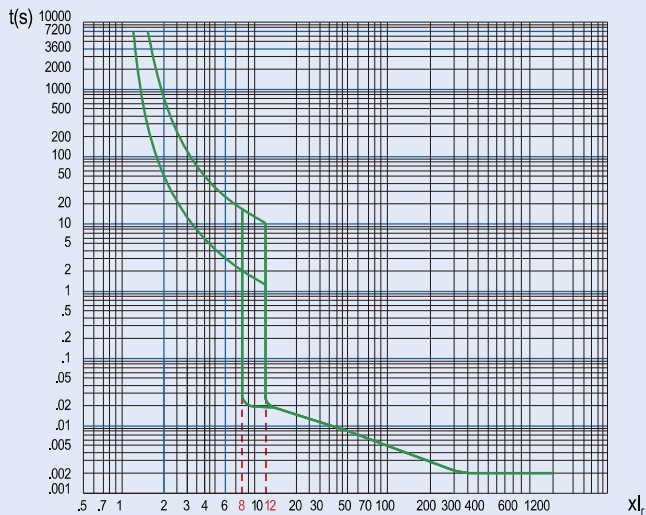


B

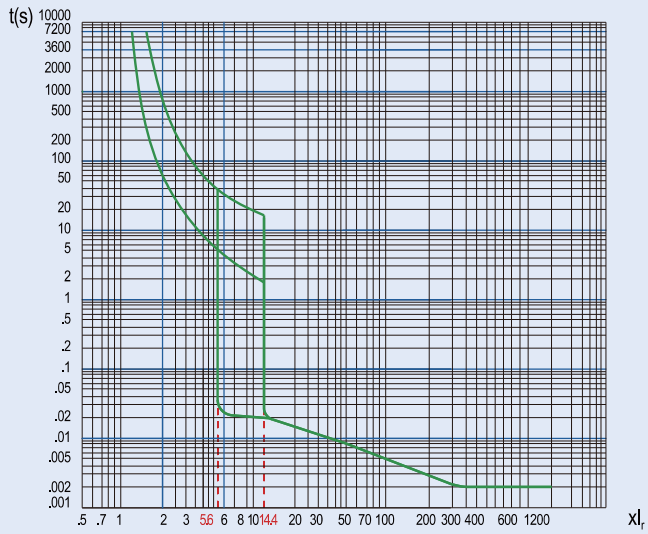
NM8N-125(40A,50A,63A)



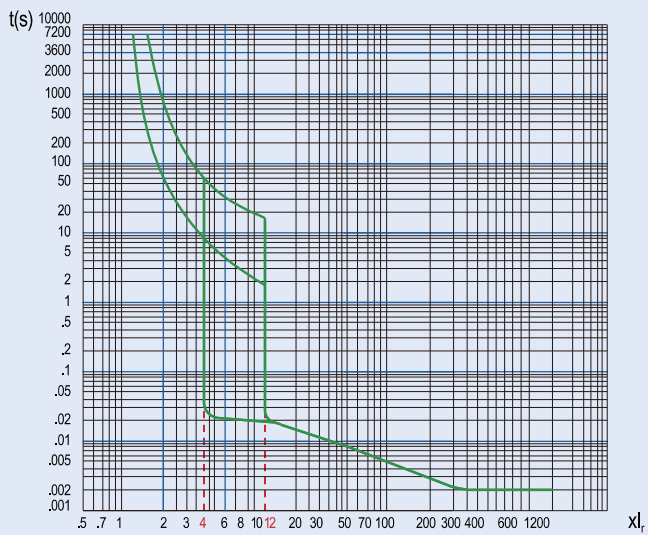
NM8N-125(80A,100A,125A)



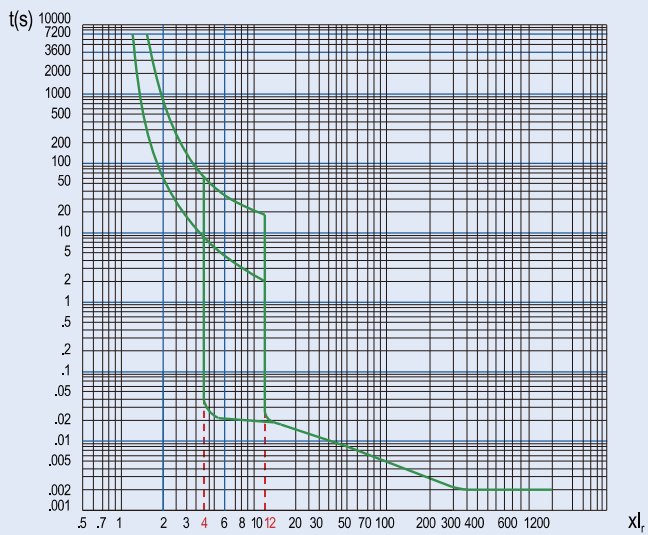
NM8N-250(125A,160A)



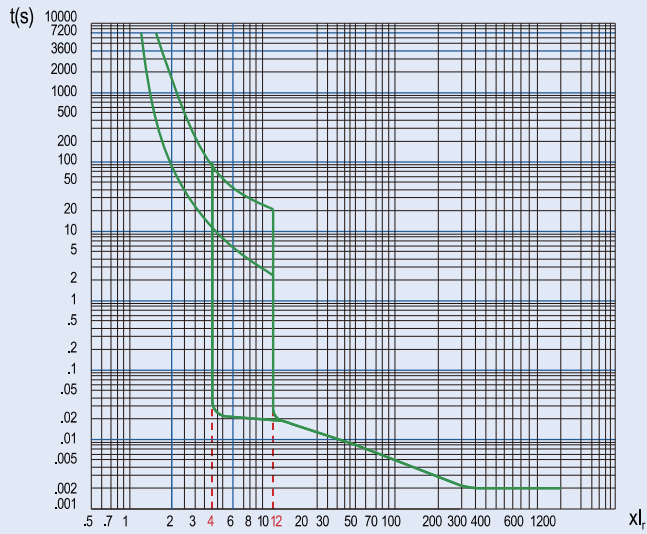
NM8N-250(180A)



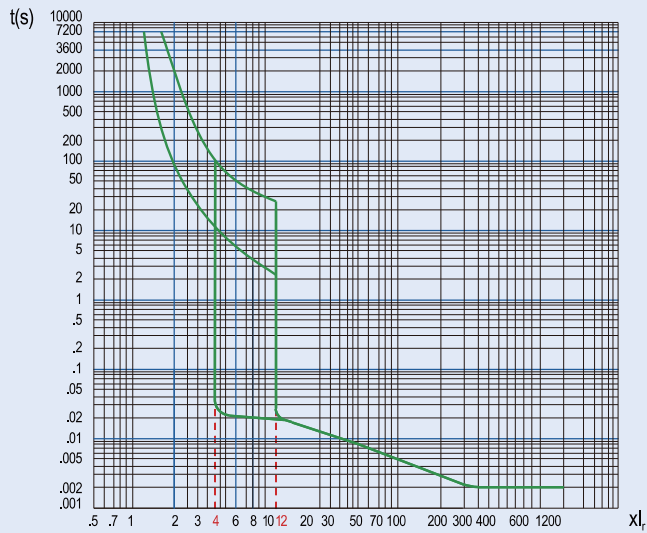
NM8N-250(200A,225A,250A)



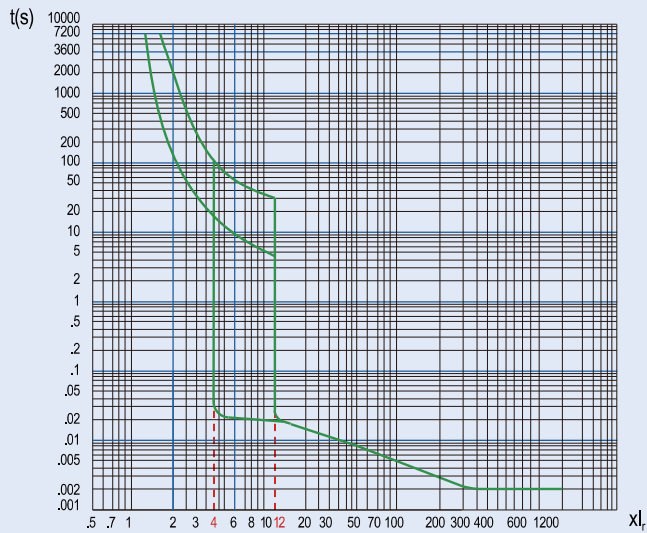
NM8N-400(250A~400A)



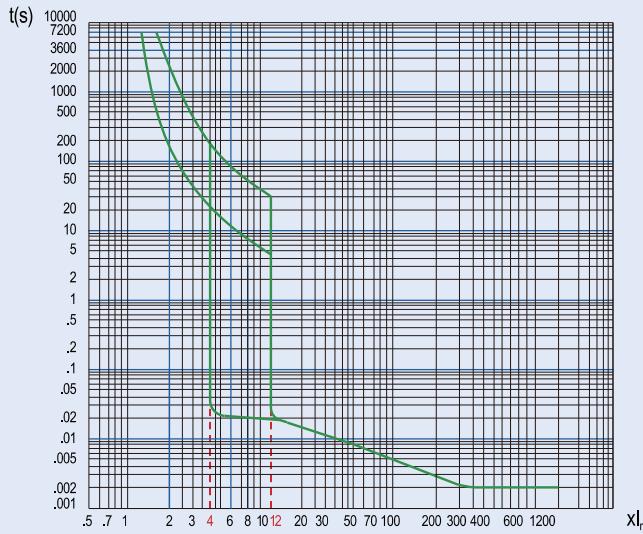
NM8N-630(400A~500A)



NM8N-800(500A~800A)

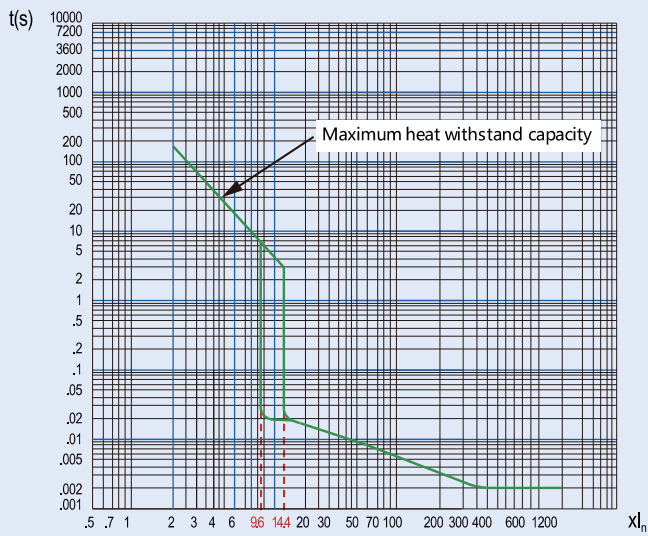


NM8N-1600(800A~1600A)

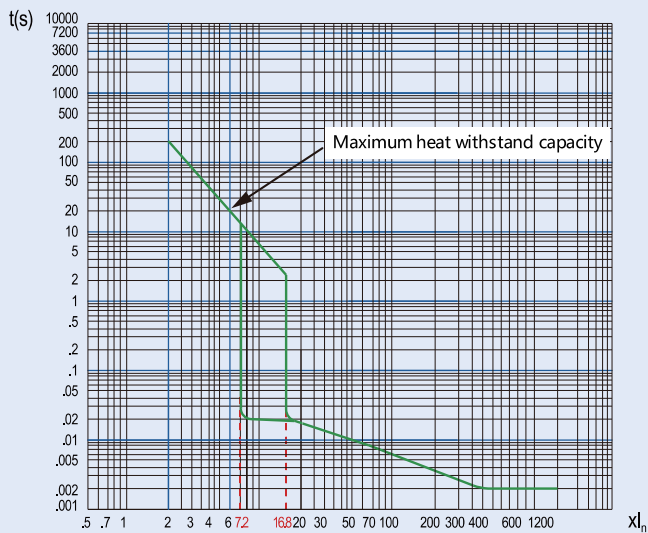


6.2 Magnetic type for motor protection

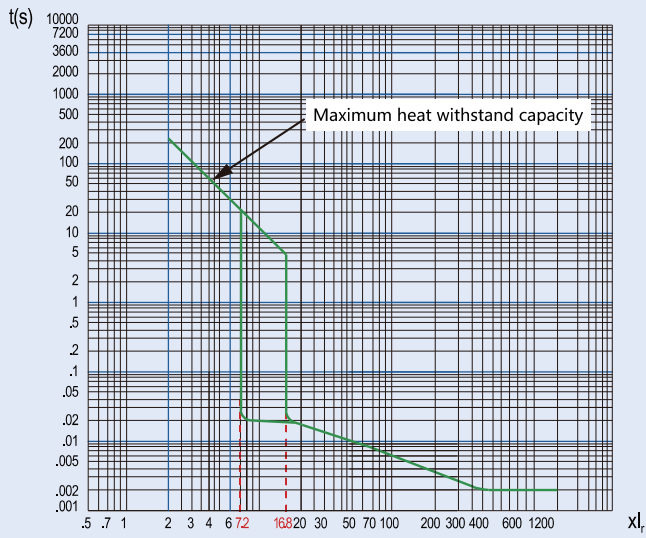
NM8N-125(16A~125A)



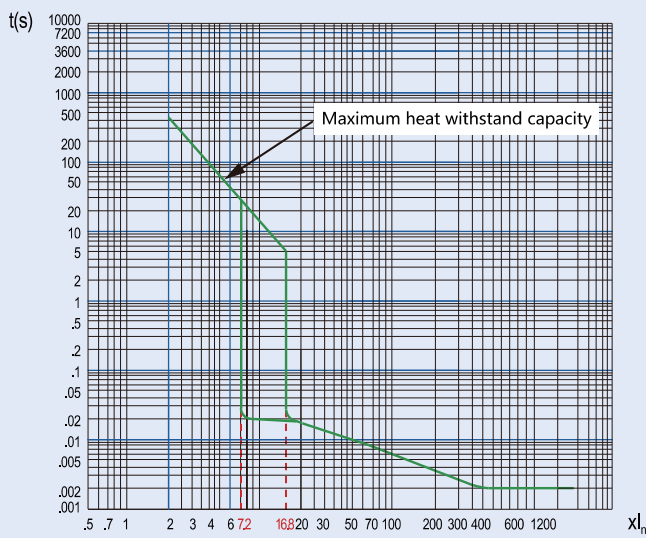
NM8N-250(125A~250A)



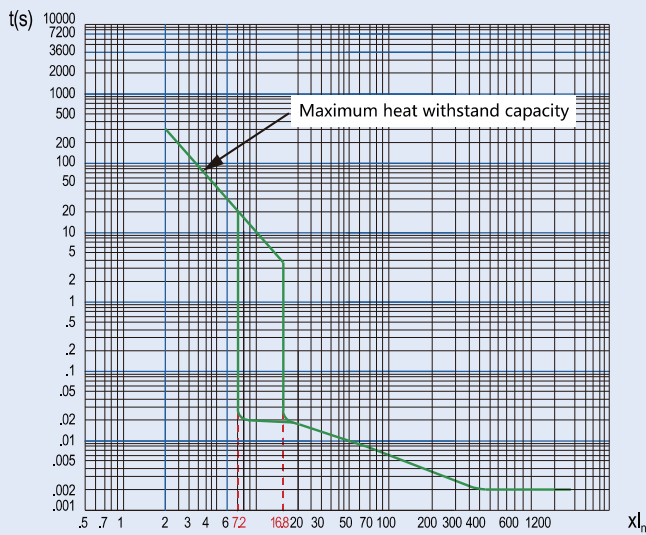
NM8N-400(250A~400A)



NM8N-630(400A~500A)



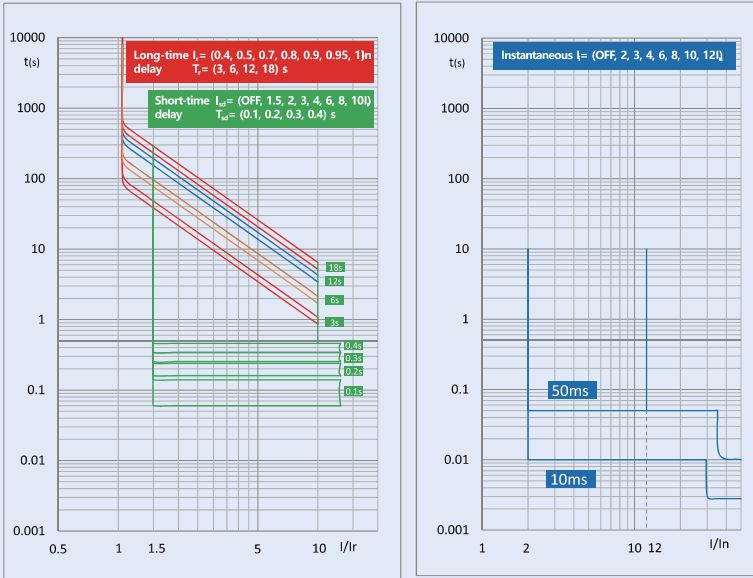
NM8N-800(500A~800A)



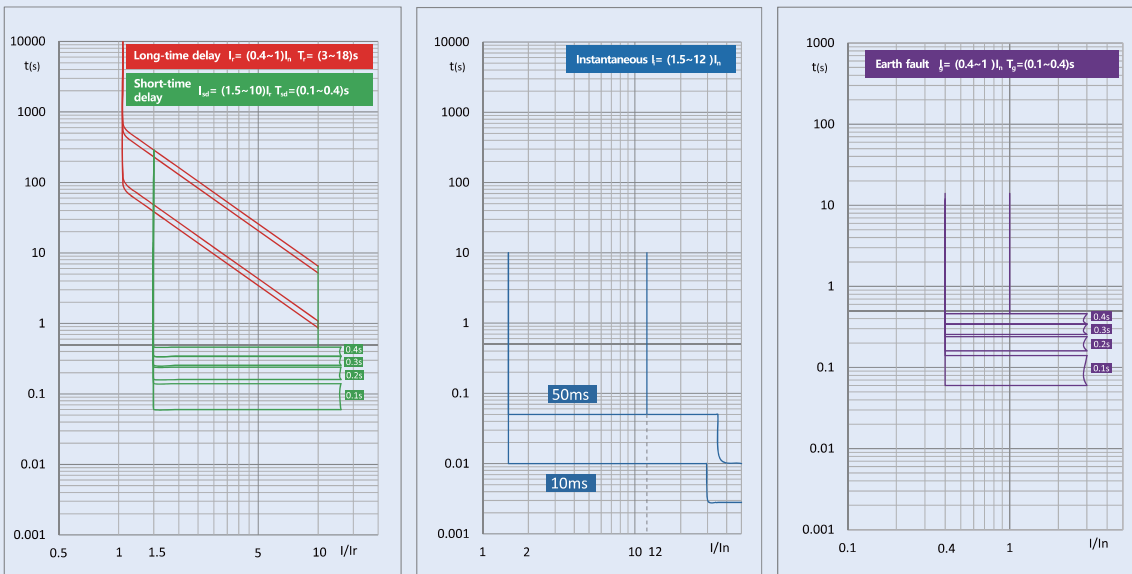


6.3 Electronic type for power distribution

EN Basic electronic type



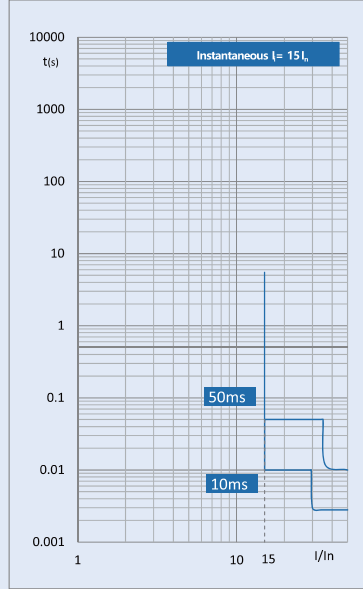
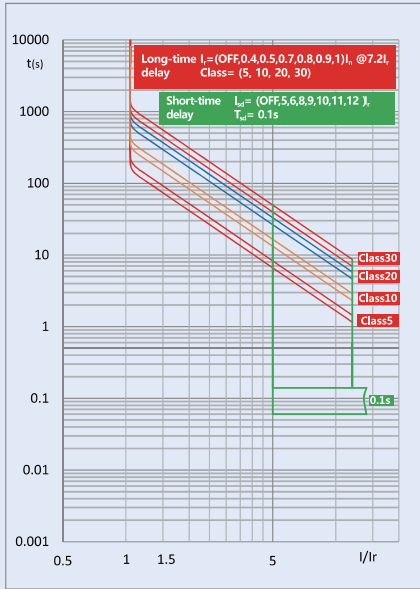
EM Standard electronic type



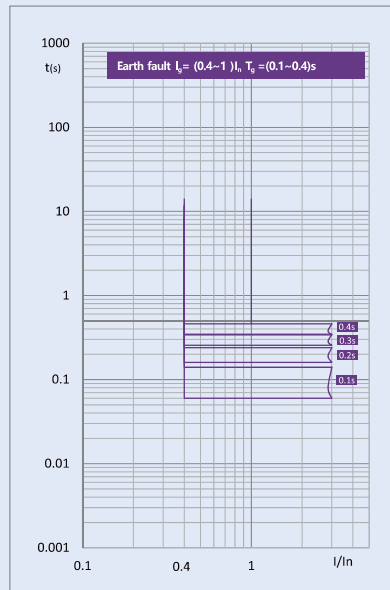
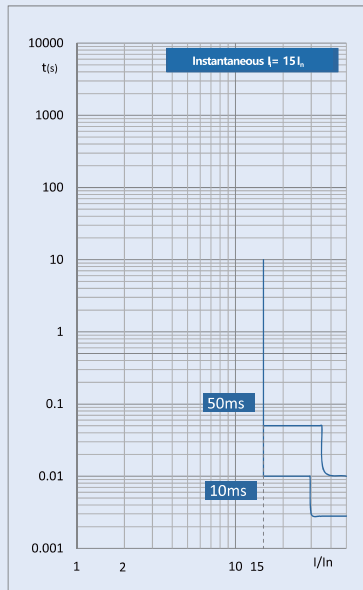
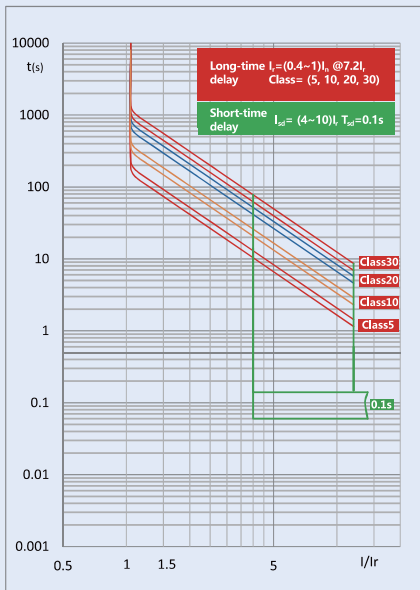


6.4 Electronic type for motor protection

ENM Basic electronic type

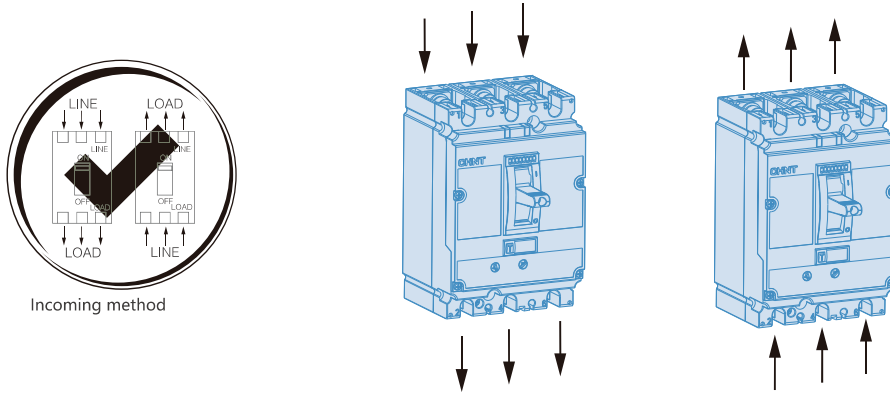


EMM Standard electronic type

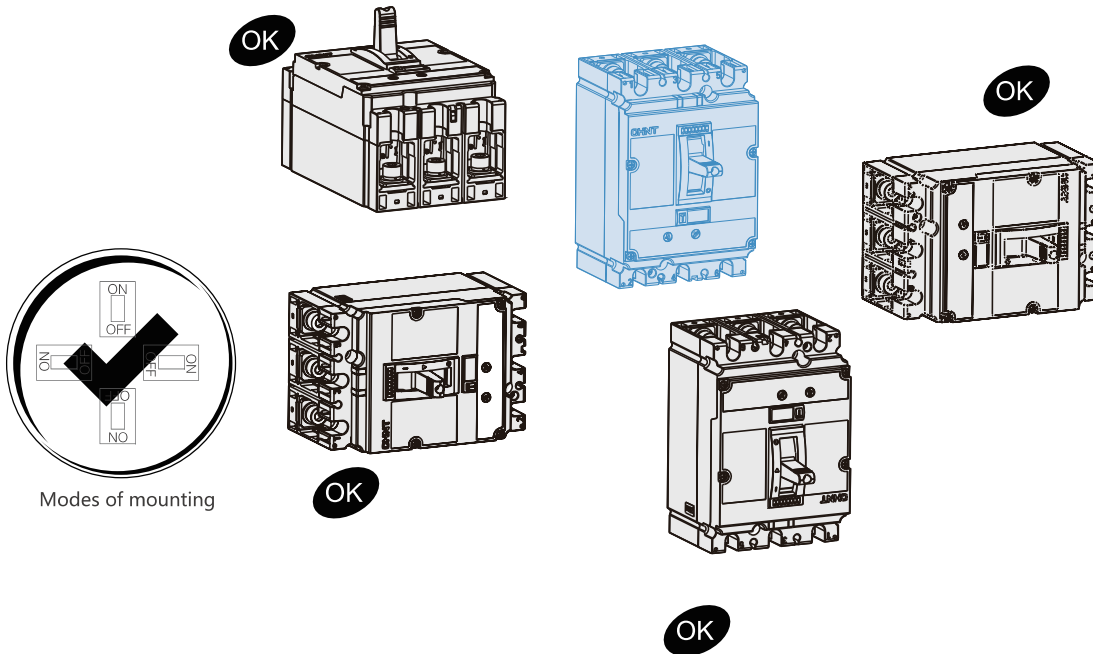


## 7. Mounting of circuit breaker

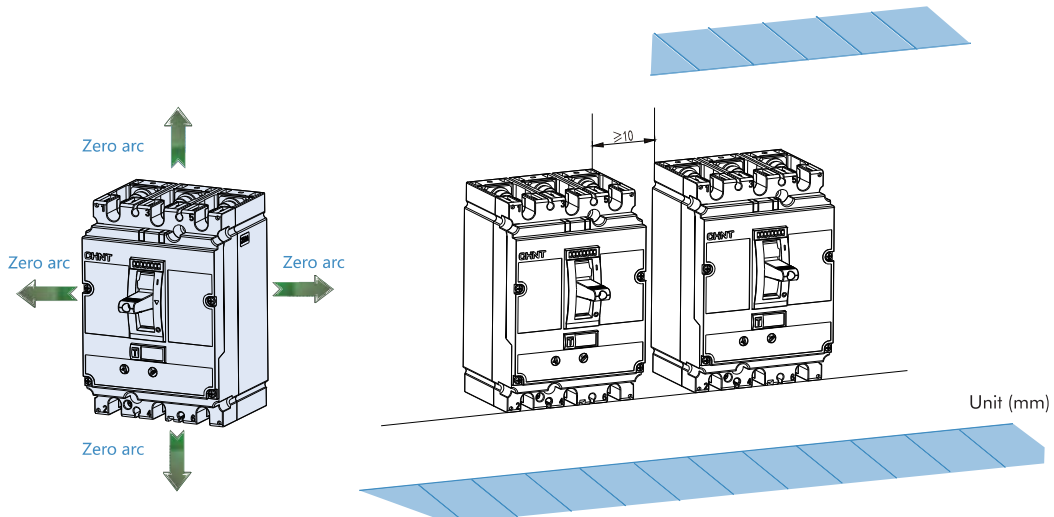
### 7.1 Modes of down-lead



### 7.2 Modes of mounting



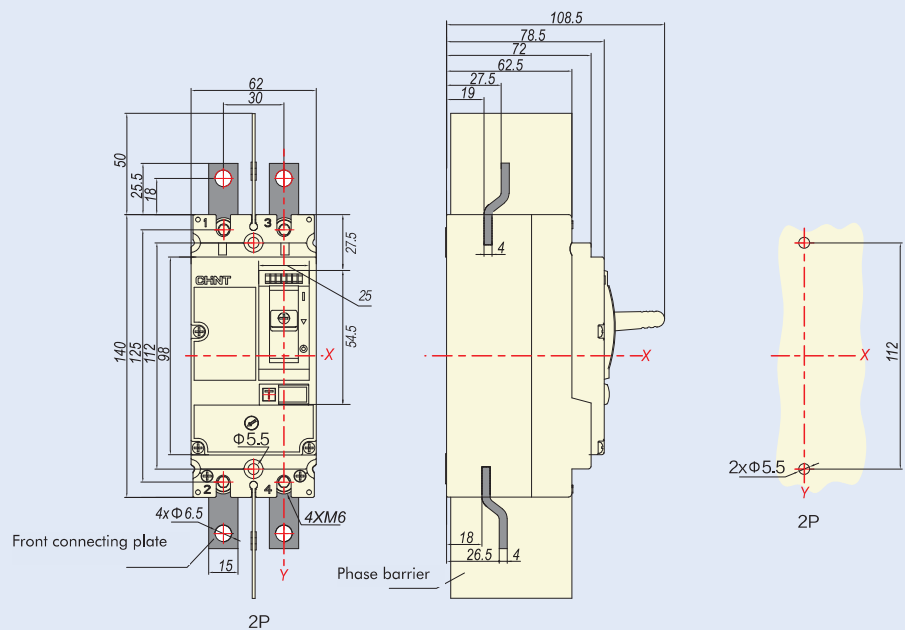
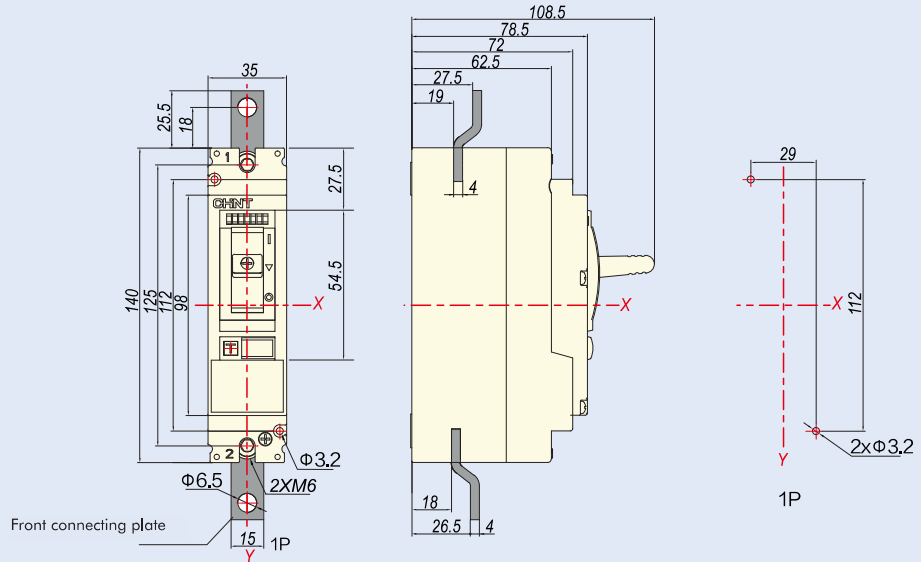
### 7.3 Safe distance



## 8. Overall and Mounting Dimensions

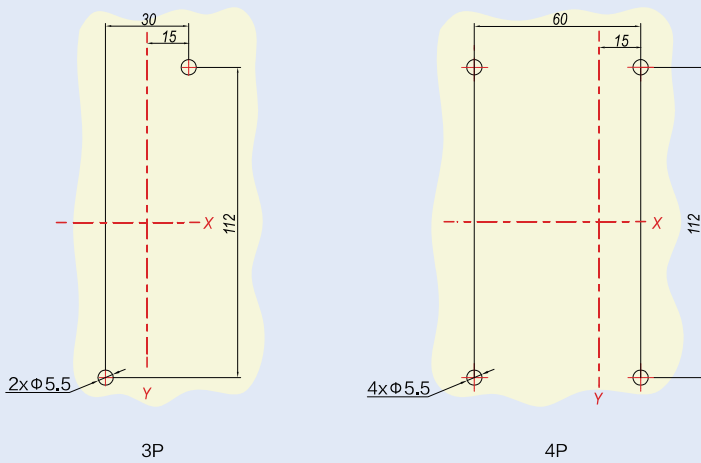
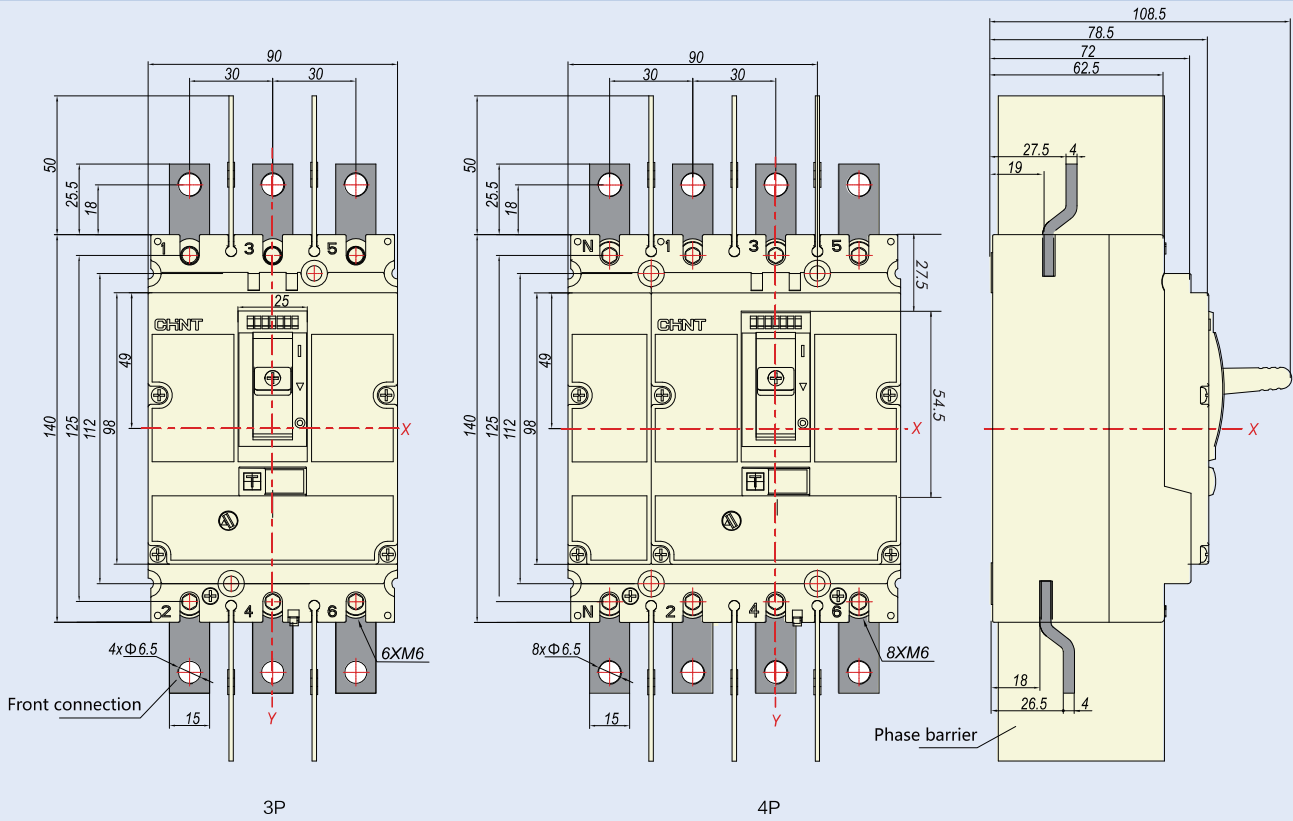
### 8.1 NM8N-125

NM8N-125 Front connection



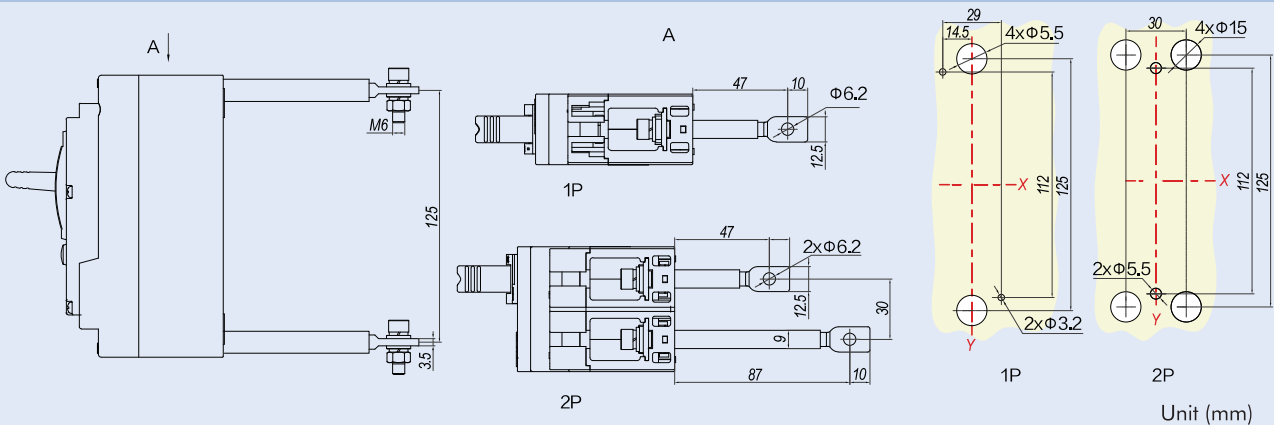
Unit (mm)

NM8N-125 Front connection (3P/4P)



Unit (mm)

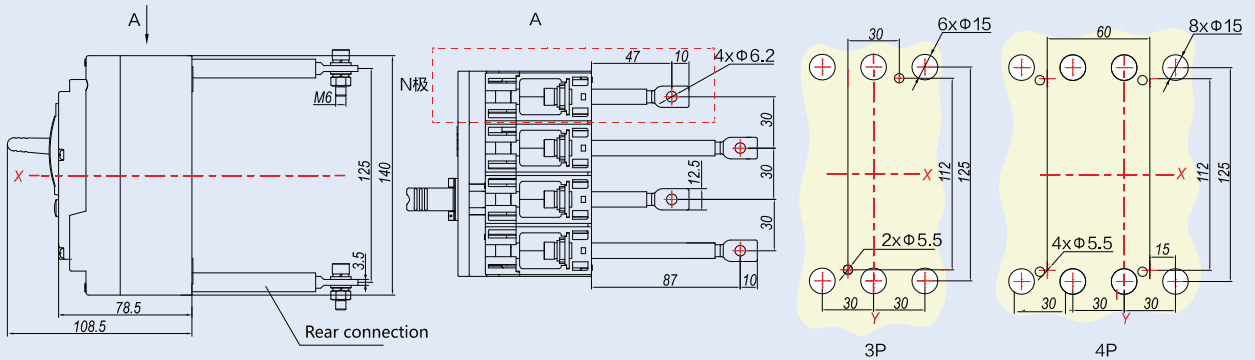
NM8N-125 Rear connection (1P/2P)



Unit (mm)

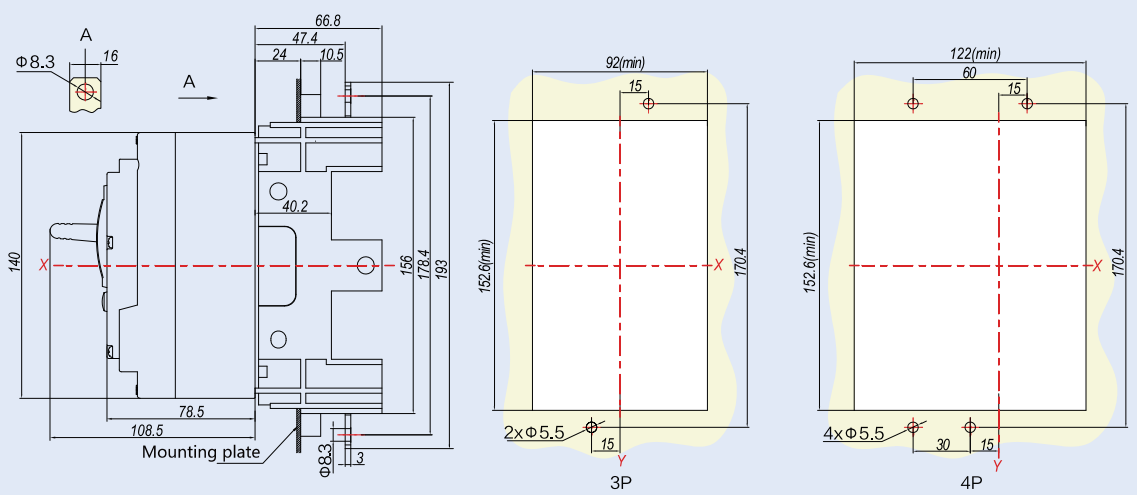


NM8N-125 Rear connection (3P/4P)



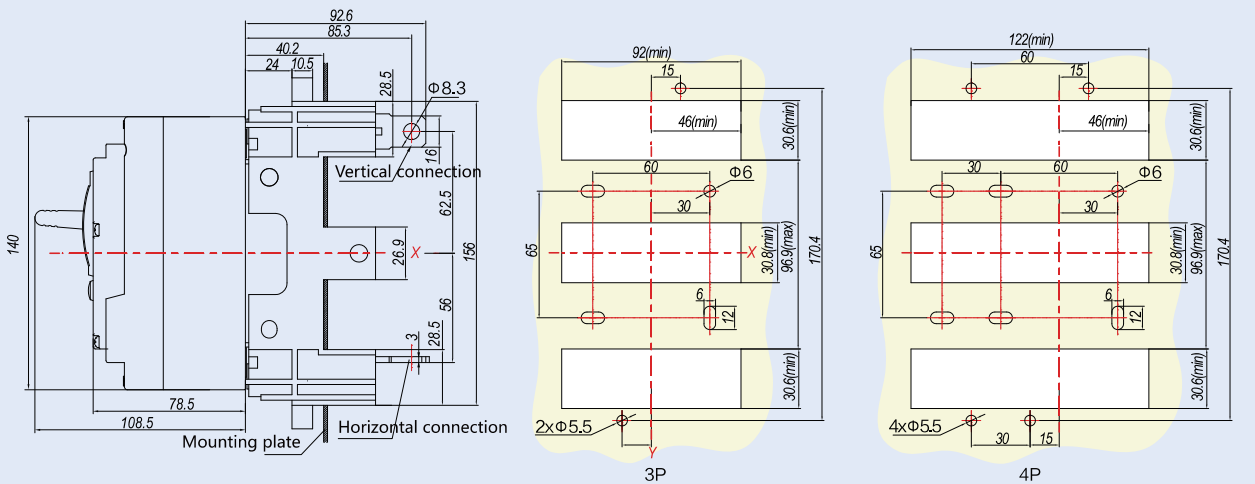
Unit (mm)

NM8N-125 Plug-in front connection



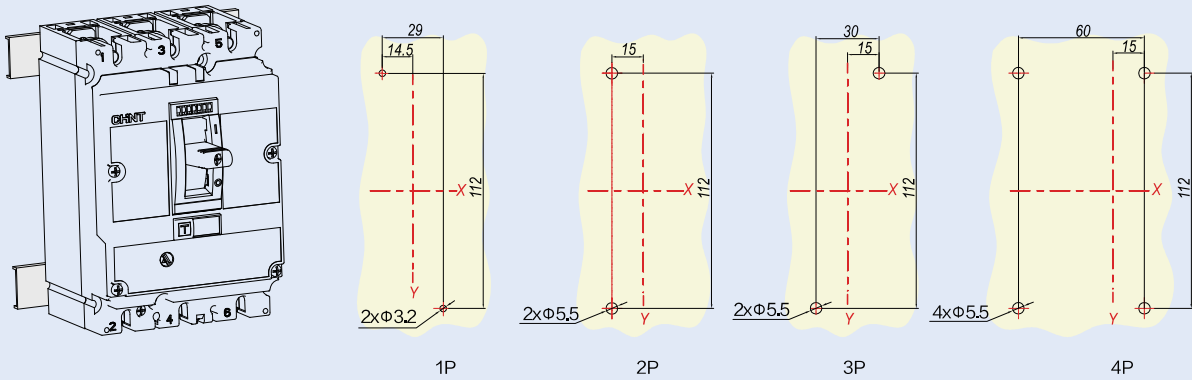
Unit (mm)

NM8N-125 Plug-in rear connection



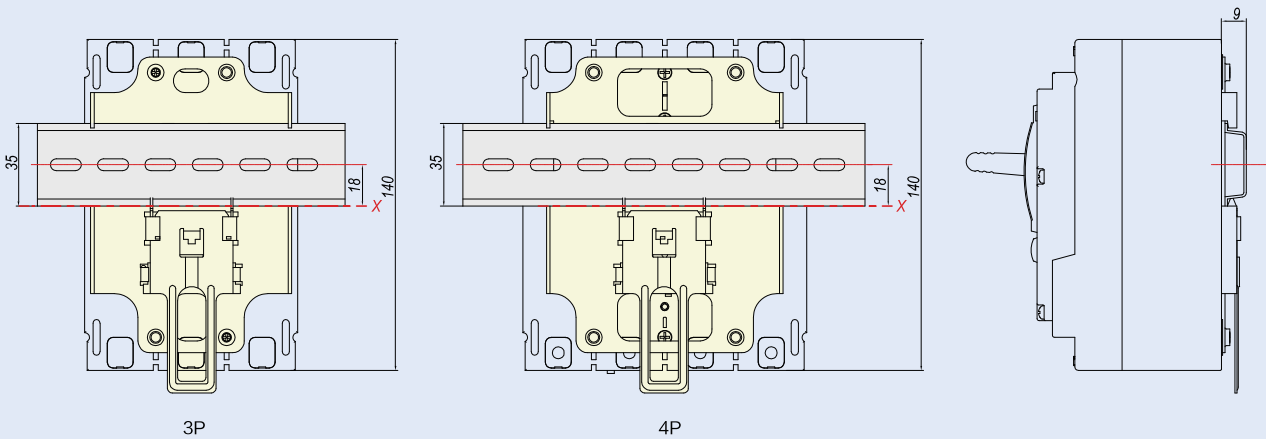
Unit (mm)

NM8N-125 DIN-rail mounting



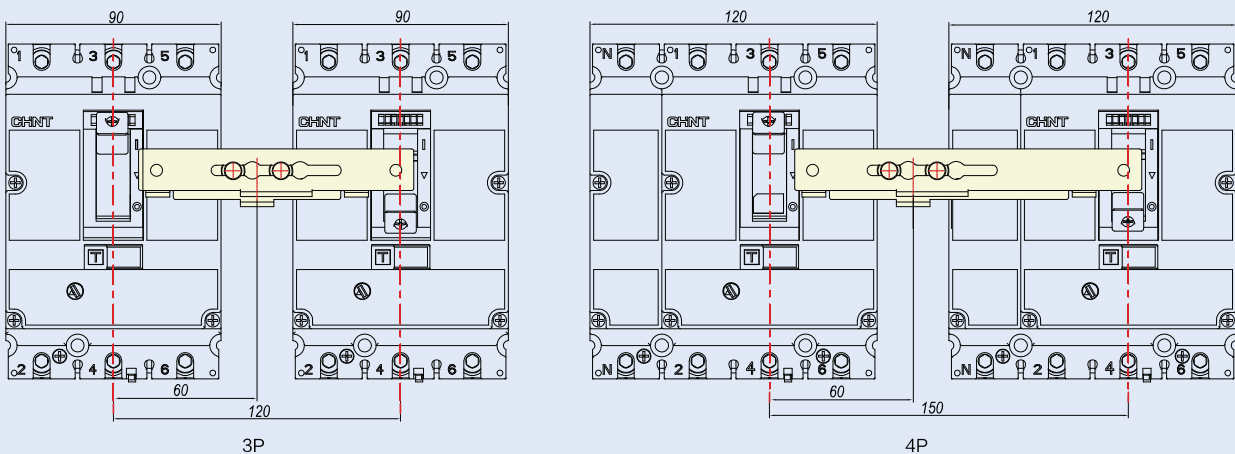
Unit (mm)

NM8N-125 DIN-rail mounting (DIN-rail adapter is needed)



Unit (mm)

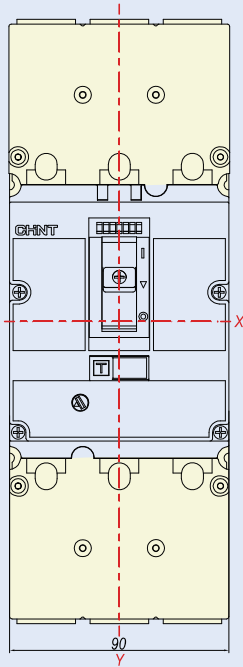
NM8N-125 Mechanical interlock



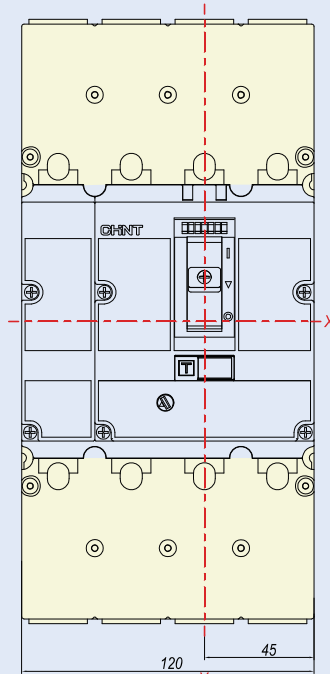
Unit (mm)

NM8N-125 Terminal cover

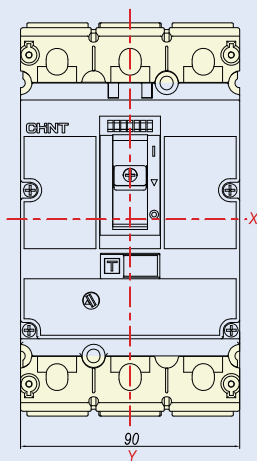
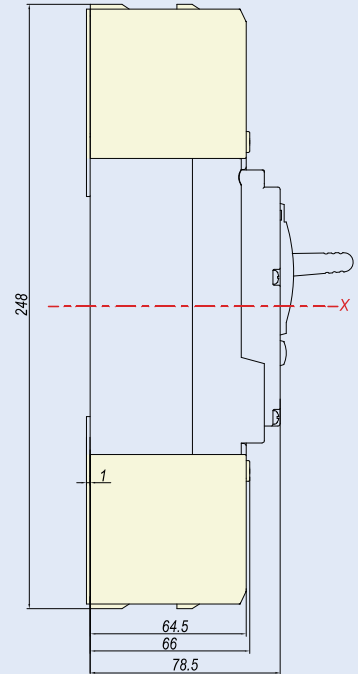
B



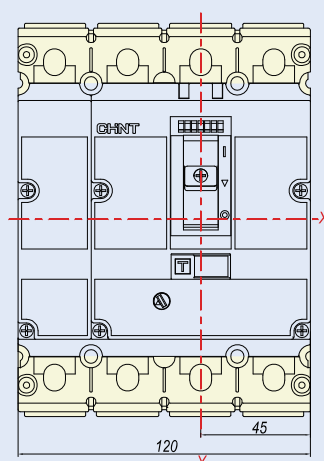
3P Long terminal cover



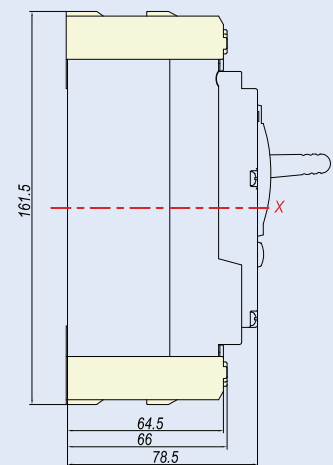
4P Long terminal cover



3P Short terminal cover



4P Short terminal cover

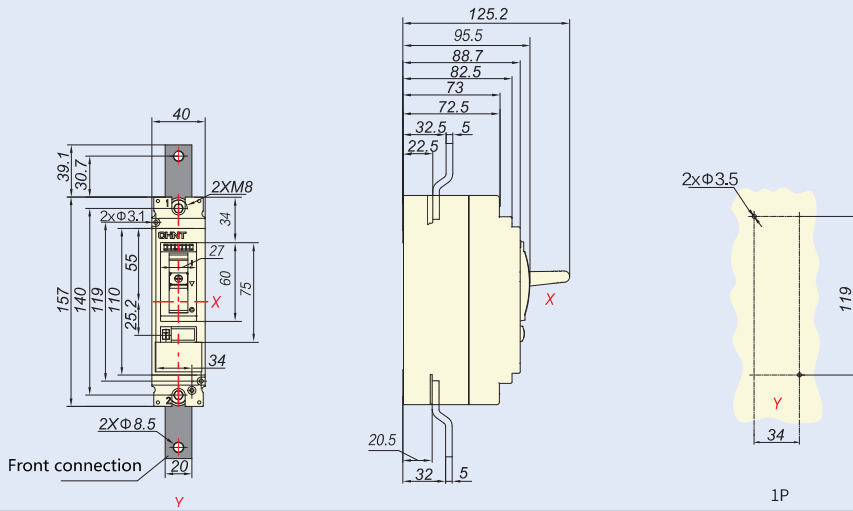


Unit (mm)

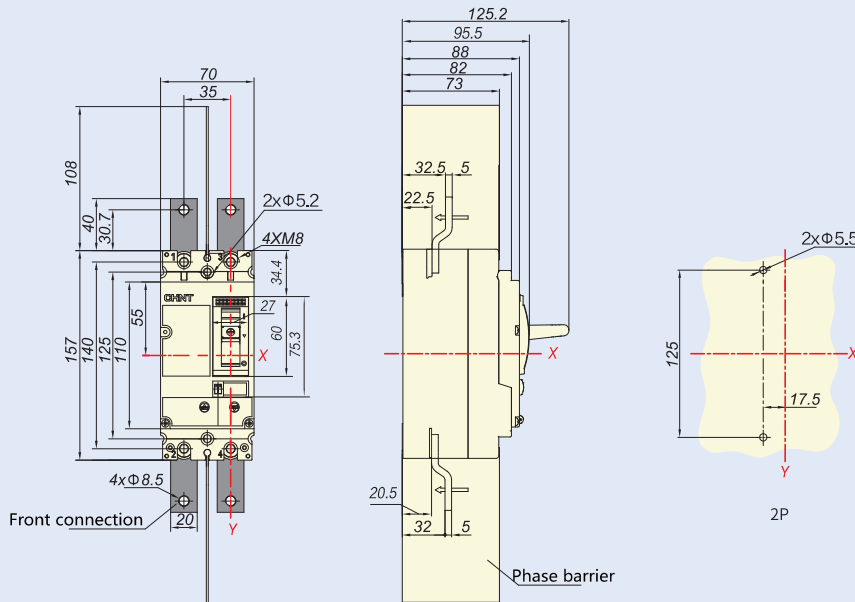


8.2 NM8N-250

NM8N-250 Front connection (1P/2P)



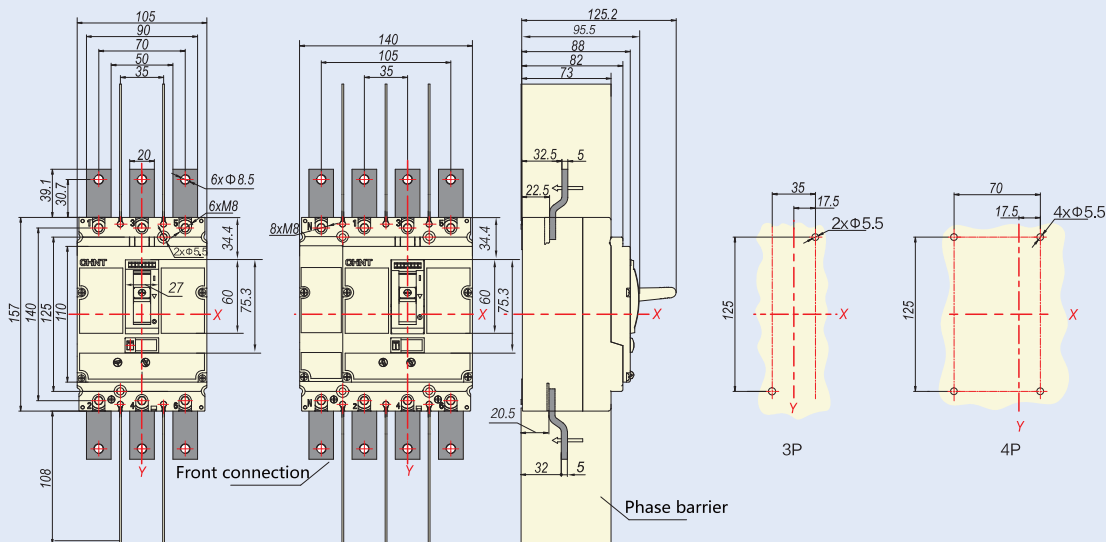
1P



2P

Unit (mm)

NM8N-250 Front connection (3P/4P)



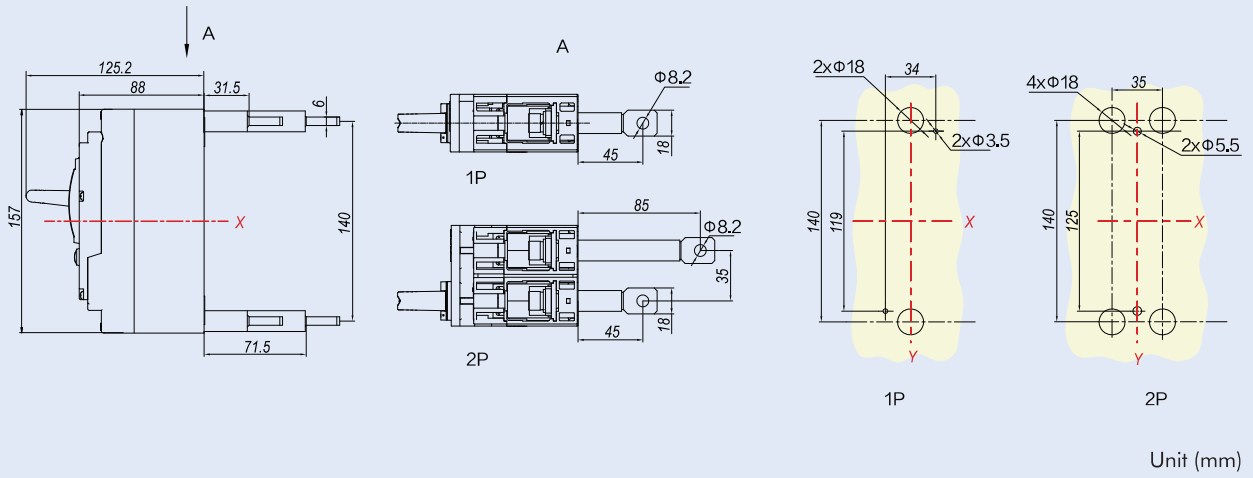
3P

4P

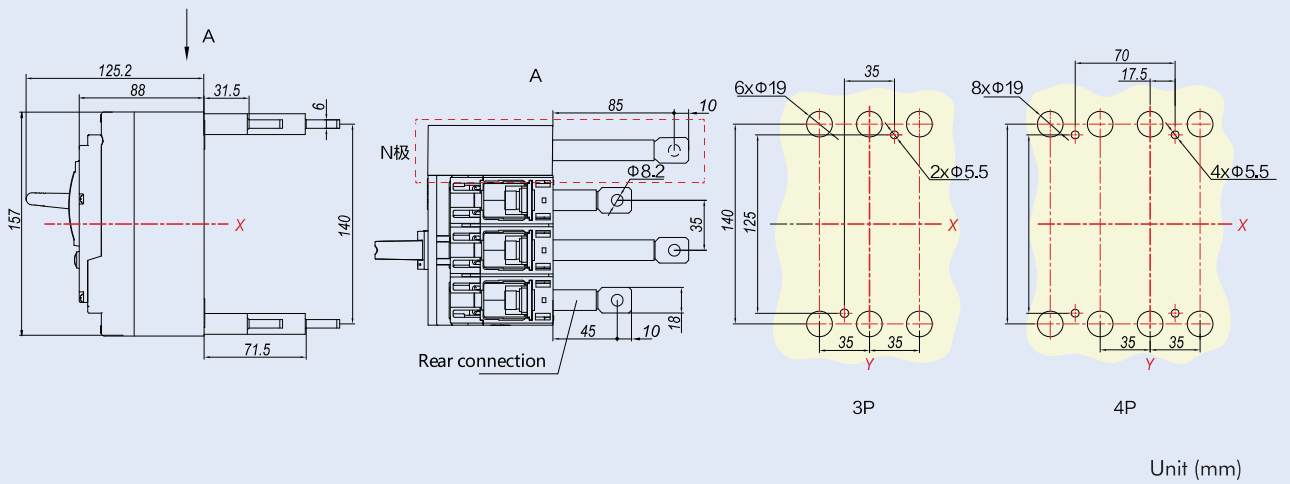
Unit (mm)



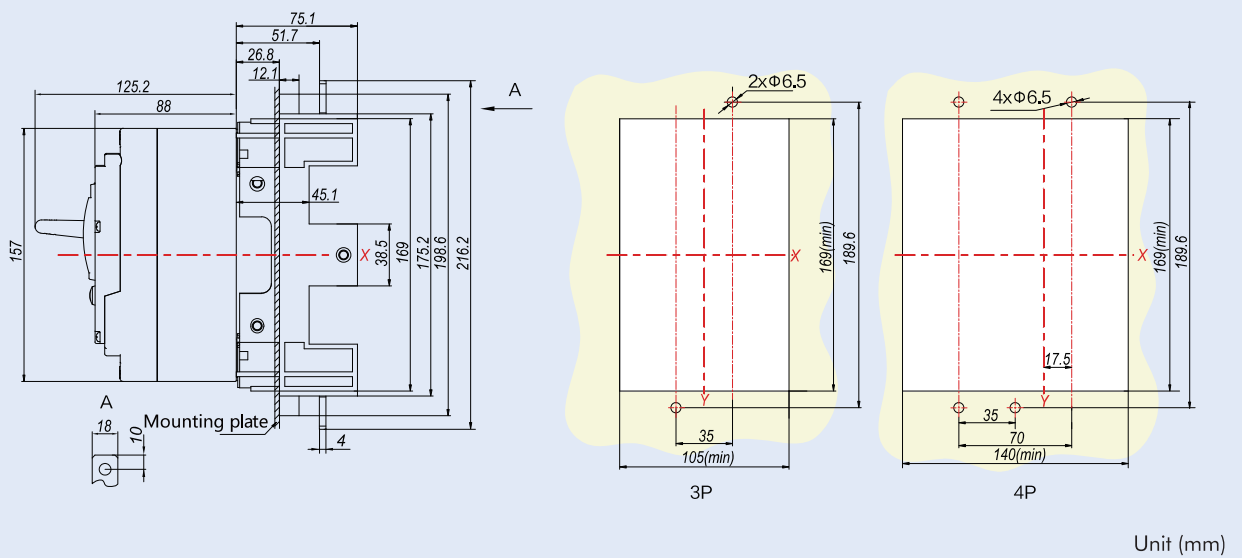
NM8N-250 Rear connection (1P/2P)



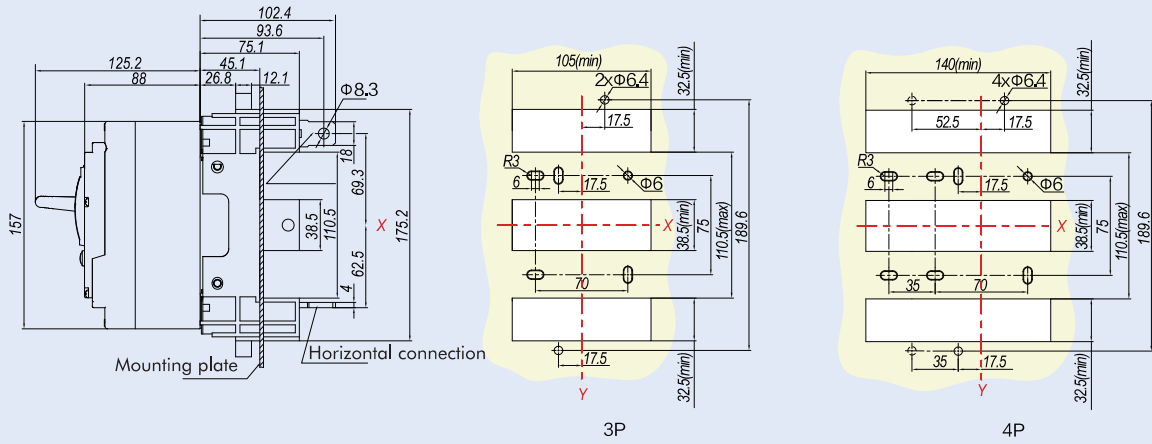
NM8N-250 Rear connection (3P/4P)



NM8N-250 Plug-in front connection

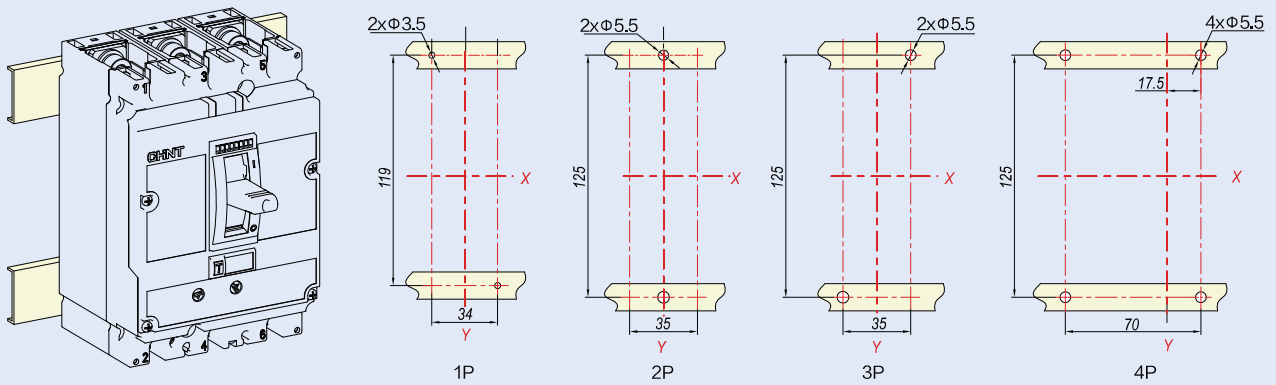


NM8N-250 Plug-in rear connection



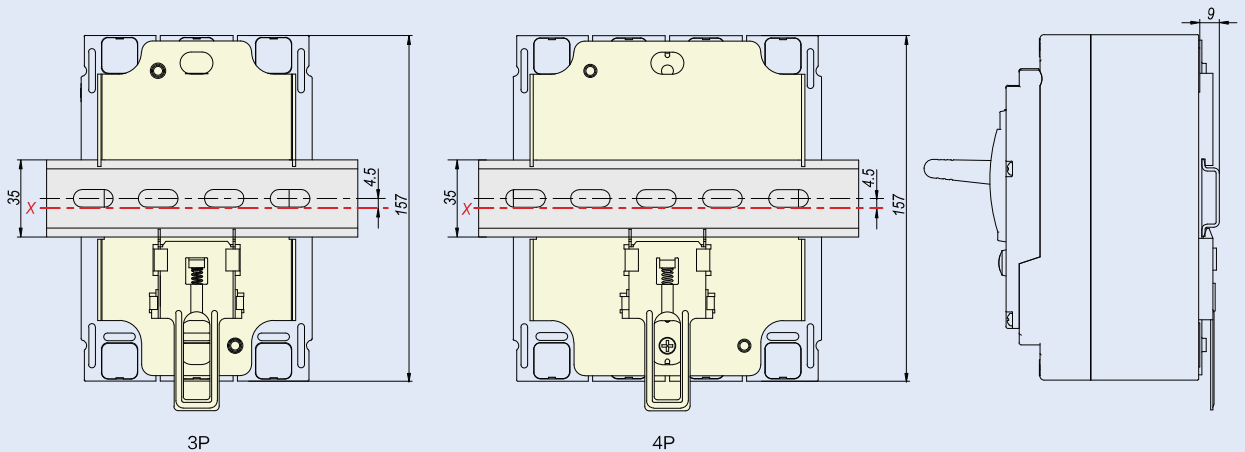
Unit (mm)

NM8N-250 DIN-rail mounting



Unit (mm)

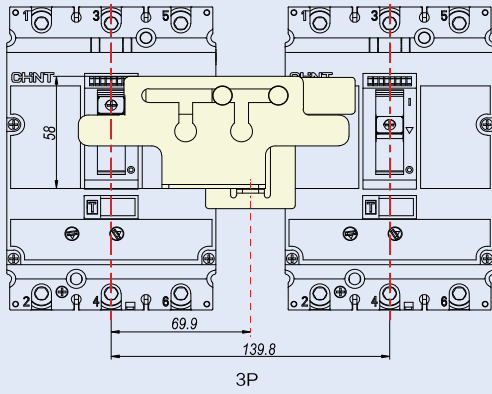
NM8N-250 DIN-rail mounting (DIN-rail adapter is needed)



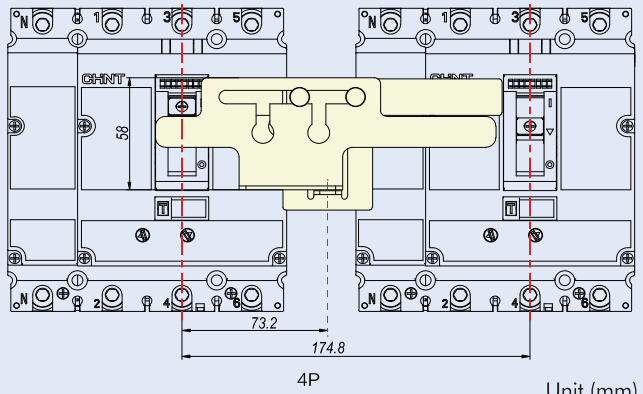
Unit (mm)



NM8N-250 Mechanical interlock



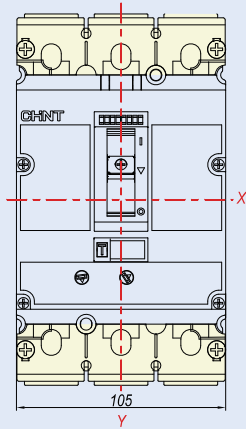
3P



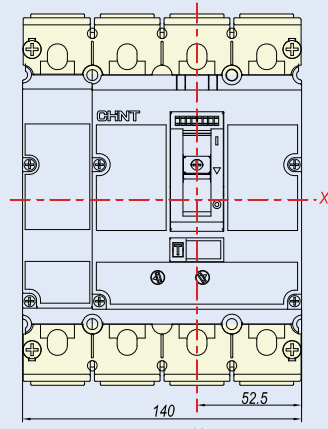
4P

Unit (mm)

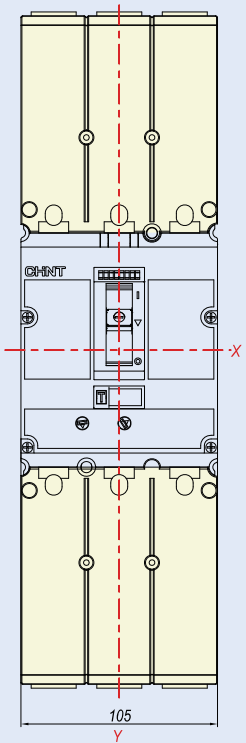
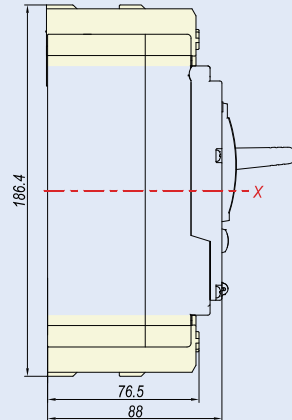
NM8N-250 Terminal cover



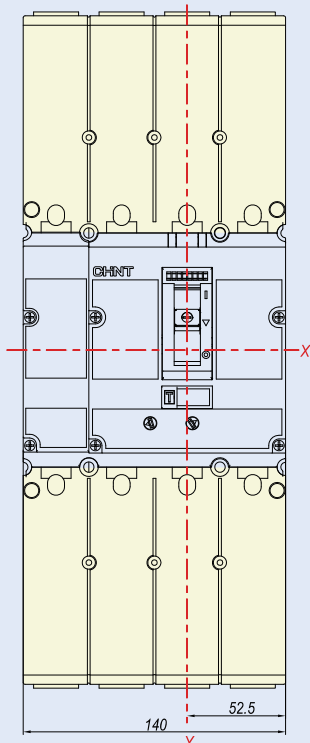
3P Short terminal cover



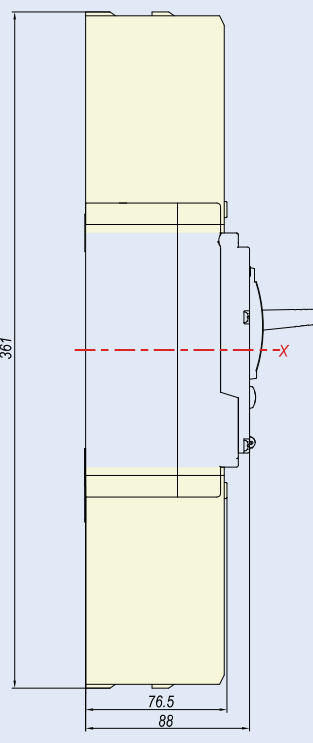
4P Short terminal cover



3P Long terminal cover



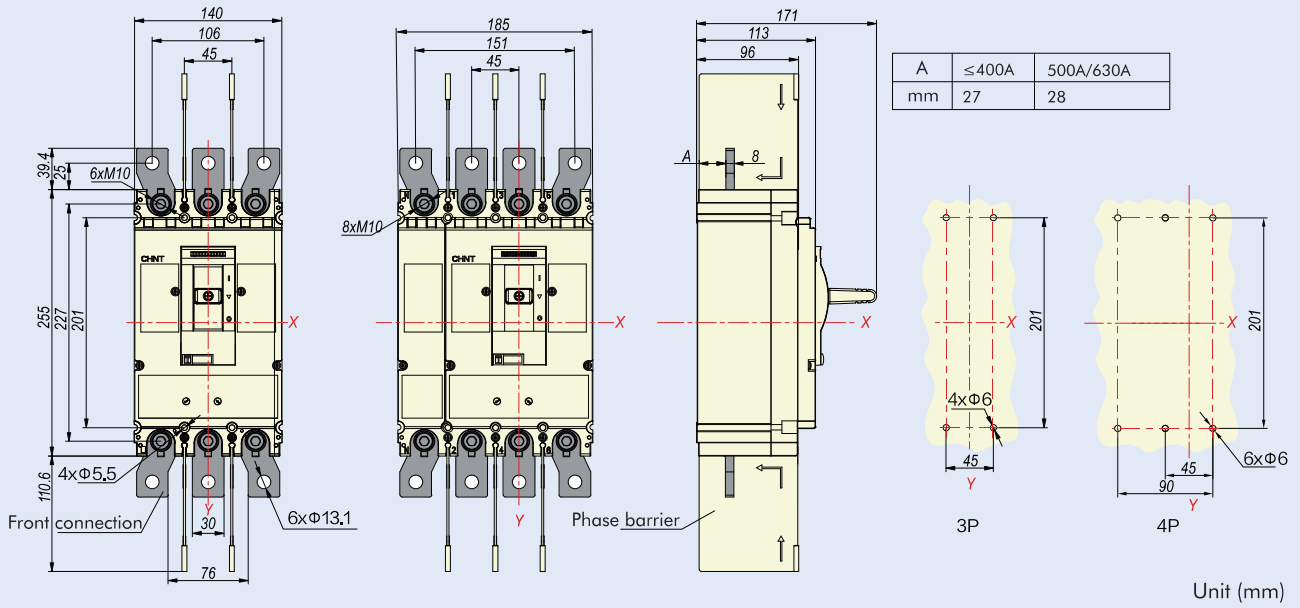
4P Long terminal cover



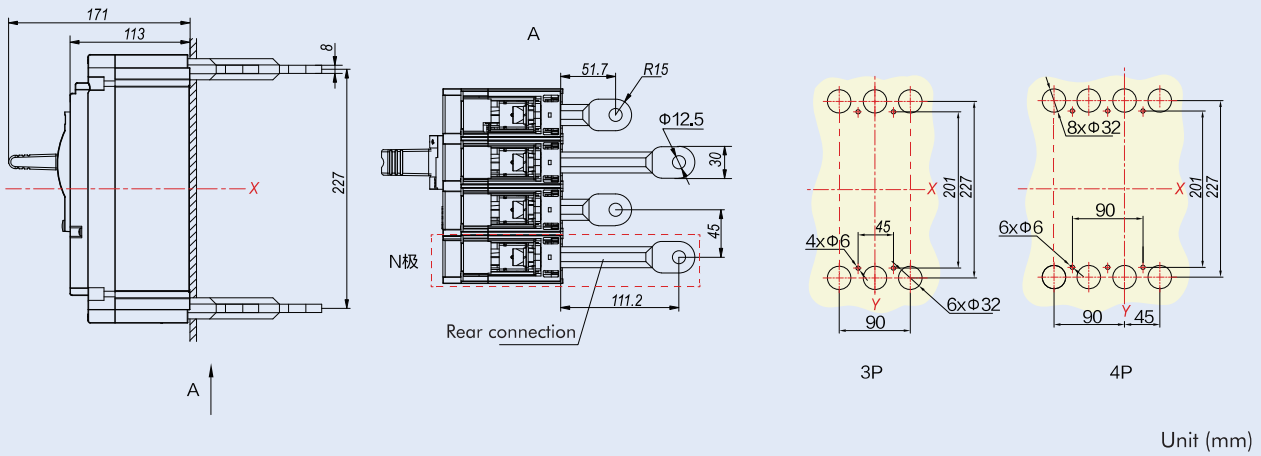
Unit (mm)

8.3 NM8N-400/630

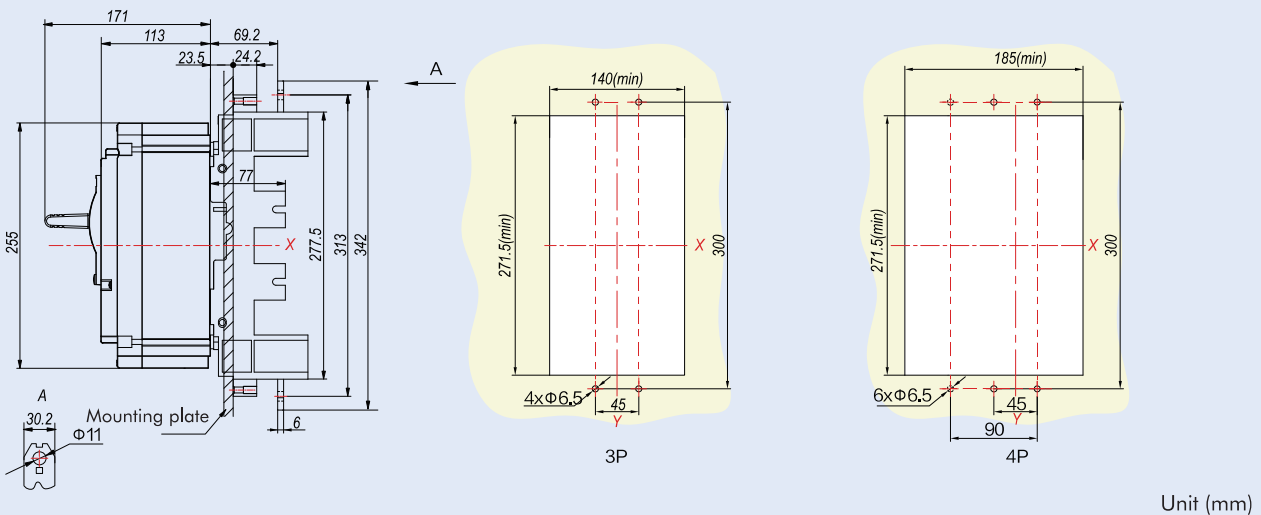
NM8N-400/630 Front connection



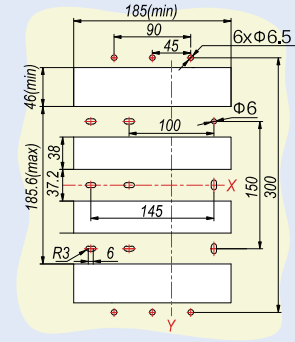
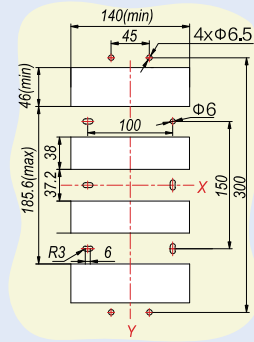
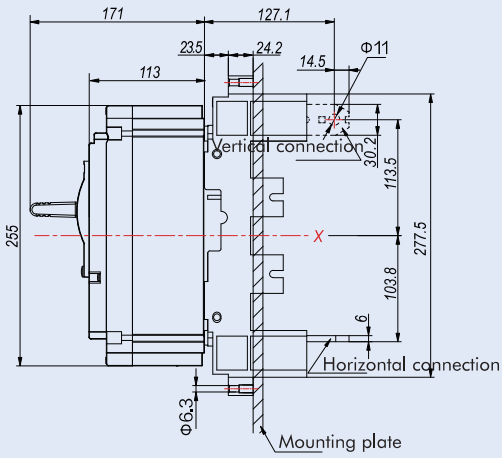
NM8N-400/630 Rear connection



NM8N-400/630 Plug-in front connection



NM8N-400/630 Plug-in rear connection

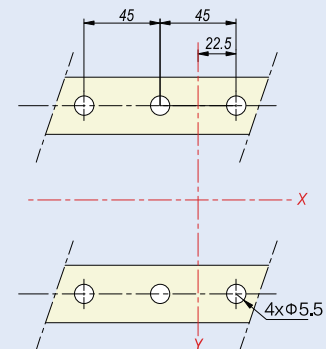
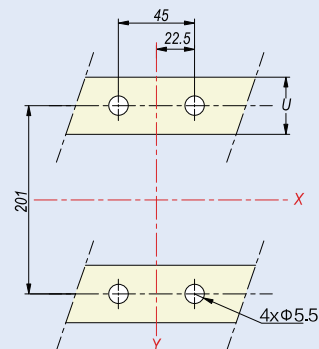
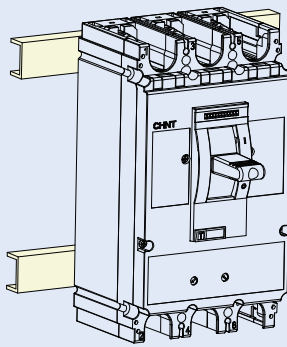


3P

4P

Unit (mm)

NM8N-400/630 DIN-rail mounting

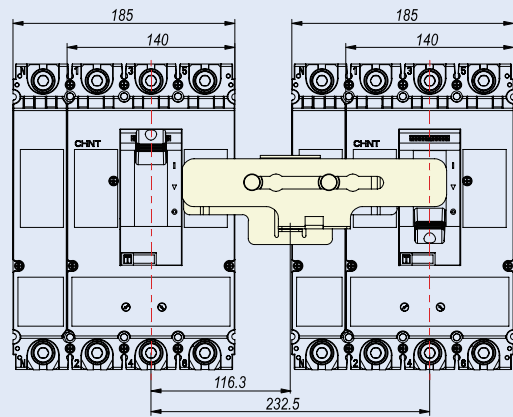
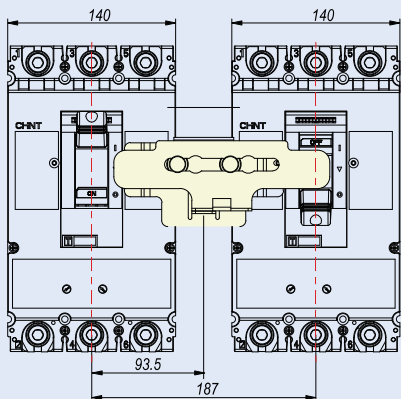


3P

4P

Unit (mm)

NM8N-400/630 Mechanical interlock

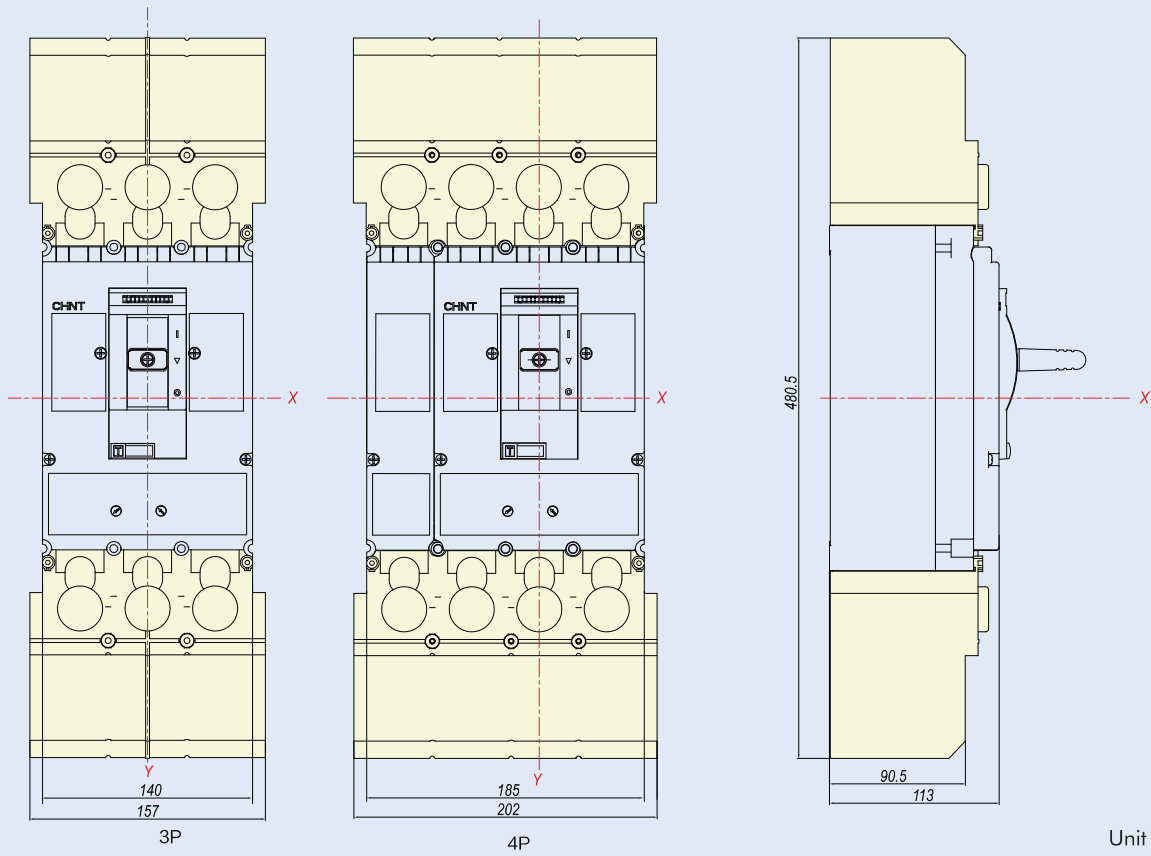


3P

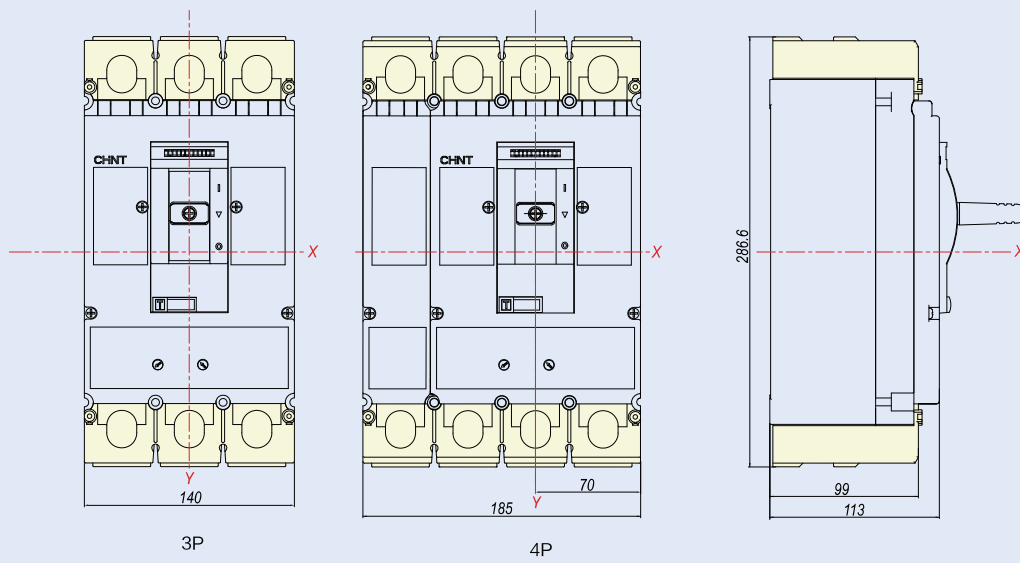
4P

Unit (mm)

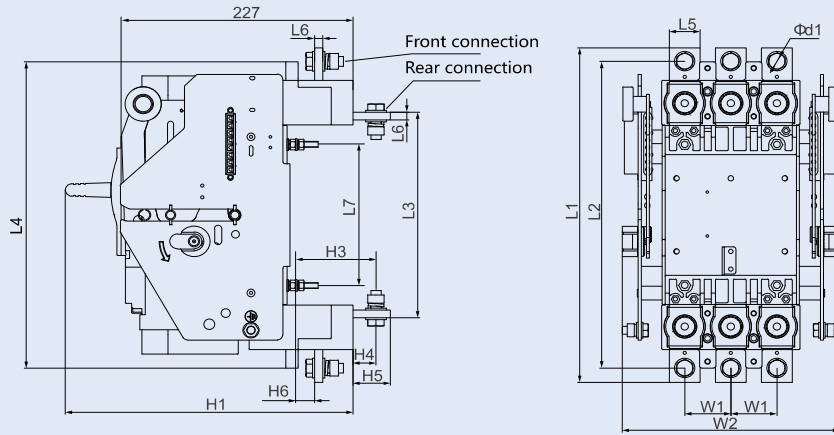
NM8N-400/630 Long terminal cover



NM8N-400/630 Short terminal cover



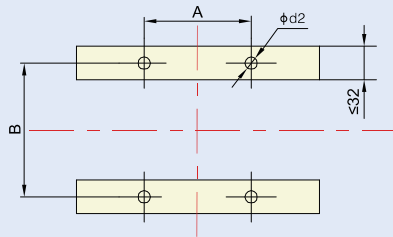
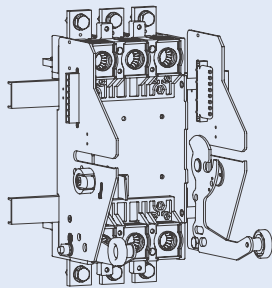
NM8N-400/630 Draw-out type



Unit (mm)

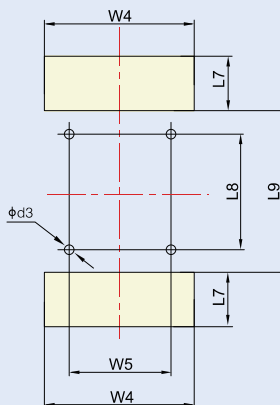
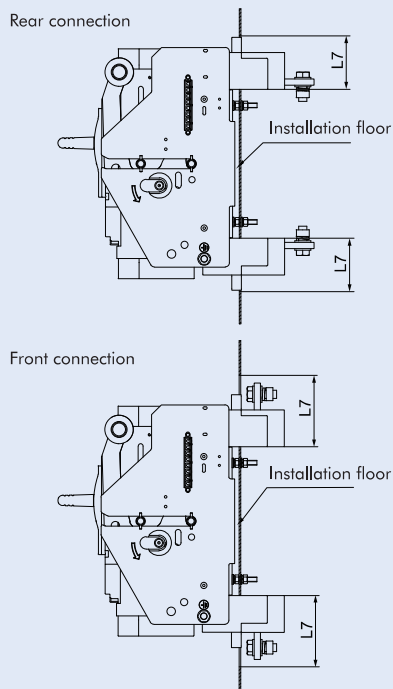
Current	Pole	Dimension														
		L1	L2	L3	L4	L5	L6	L7	H1	H3	H4	H5	H6	W1	W2	Φd1
In≤400A	3P	342	313	207	312	30	6	143	280	77	21	35.5	17.5	45	214	11
	4P	342	313	207	312	30	6	143	280	77	21	35.5	17.5	45	259	11
In>400A	3P	342.5	314.5	210.5	313.5	30	8	143	280	77.5	21.5	35.5	17.5	45	214	11
	4P	342.5	314.5	210.5	313.5	30	8	143	280	77.5	21.5	35.5	17.5	45	259	11

DIN-rail mounting



Pole	installation dimension		
	A	B	Φd2
3P	90	143	6.5
4P	135	143	6.5

DIN-rail mounting



Current	Installation dimension of rear plate connection						
	L8	W5	L9	L7	W4	Φd3	Pole
In≤400A	143	90	181	70	138	7	3P
	143	135	181	70	182	7	4P
In>400A	144.5	90	182.5	70	138	7	3P
	144.5	135	182.5	70	182	7	4P

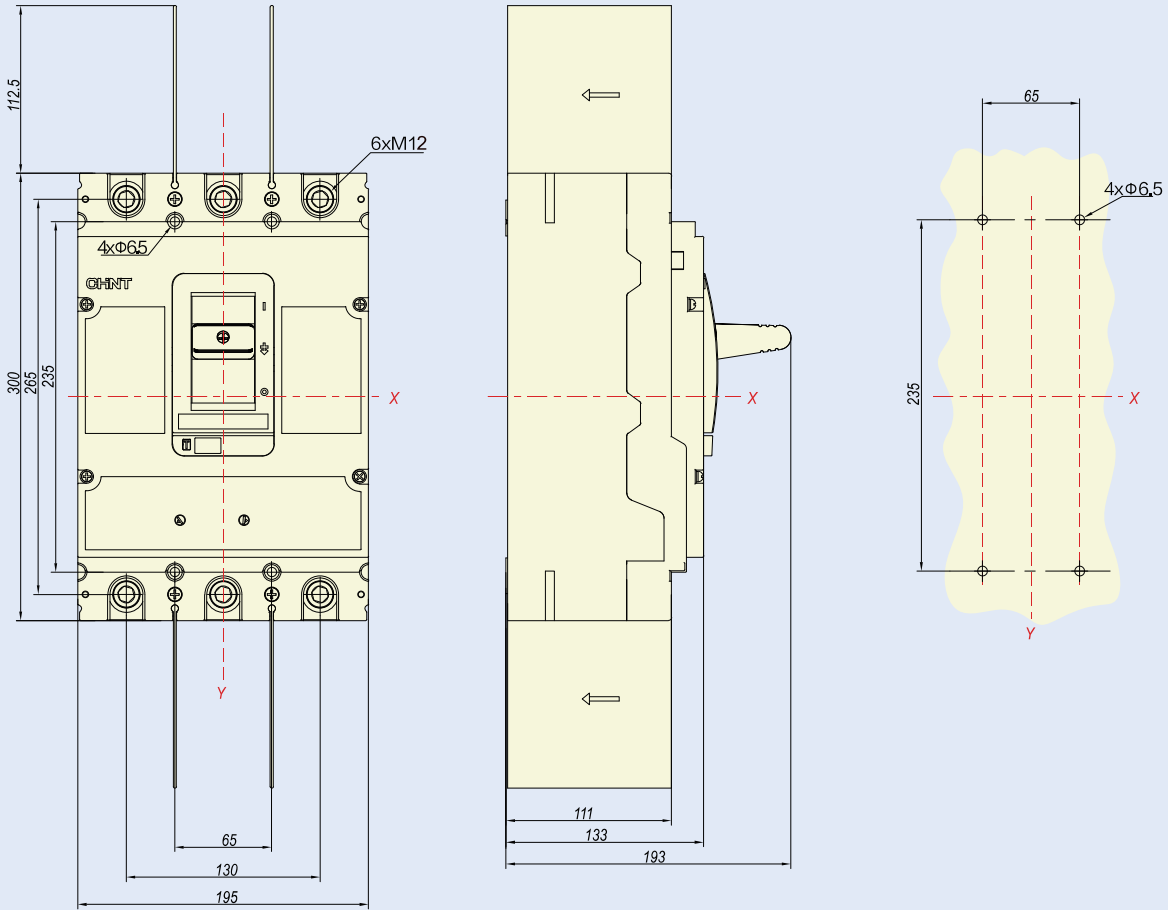
L7=90 when it is front connection, the rest of dimensions are the same with rear connection





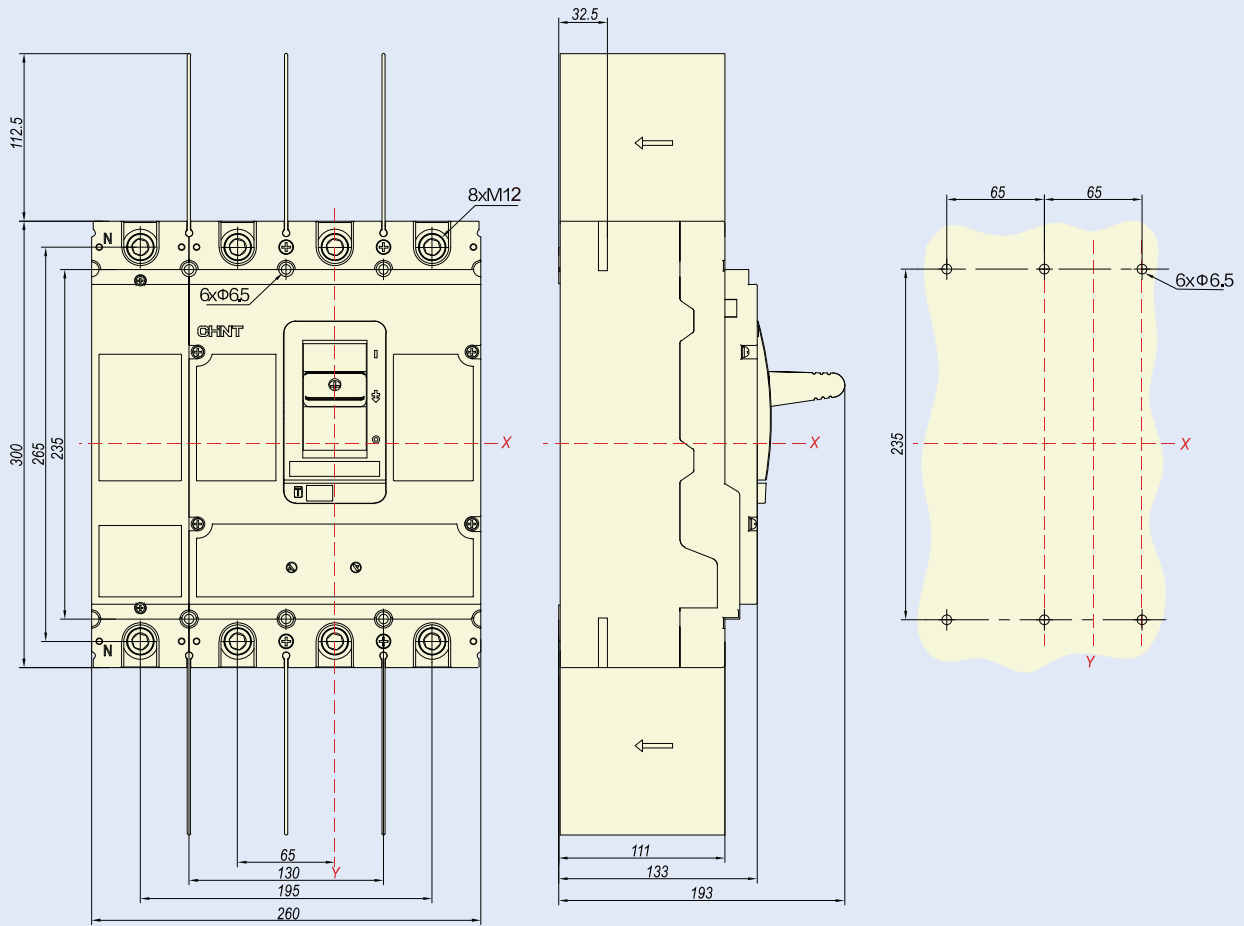
8.4 NM8N-800

NM8N-800 Front connection (3P)



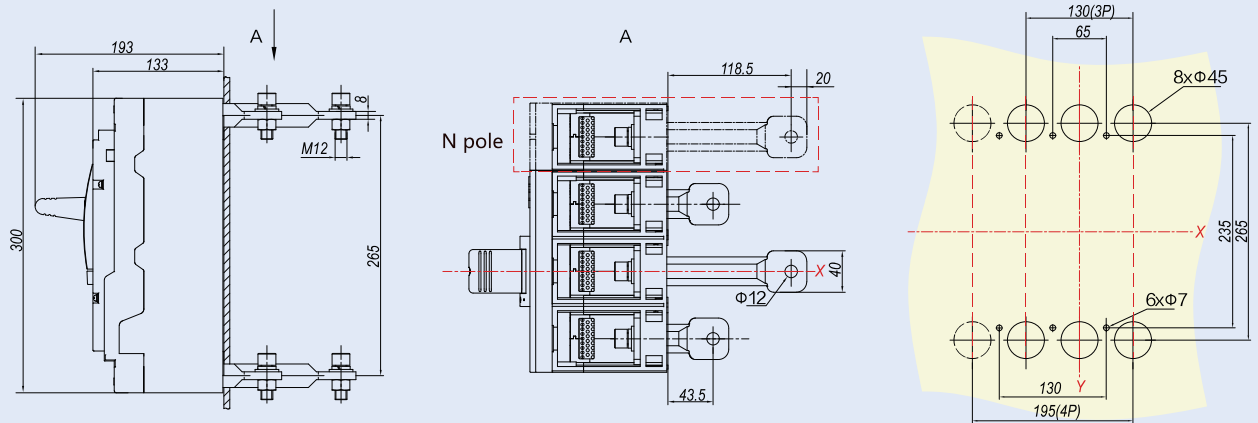
Unit (mm)

NM8N-800 Front connection (4P)



Unit (mm)

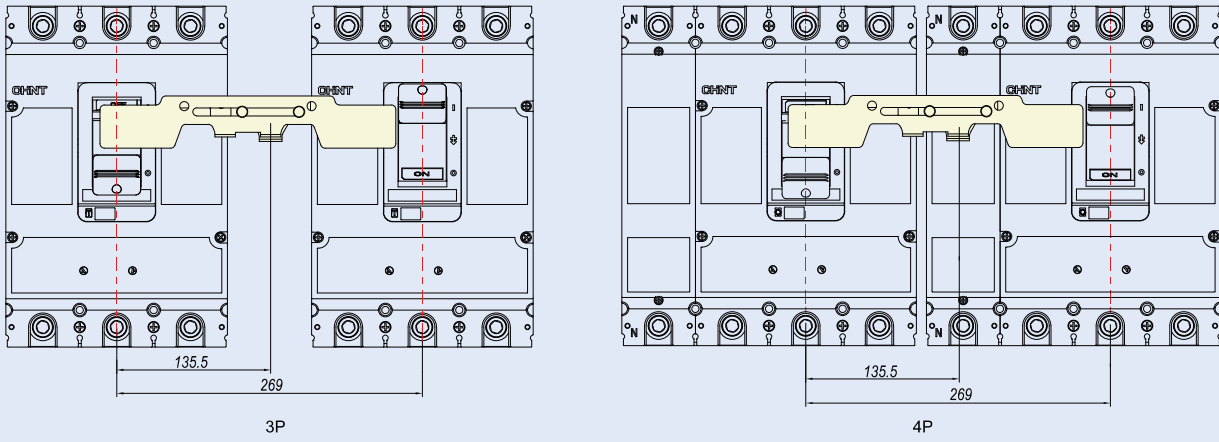
NM8N-800 Rear connection



3P/4P

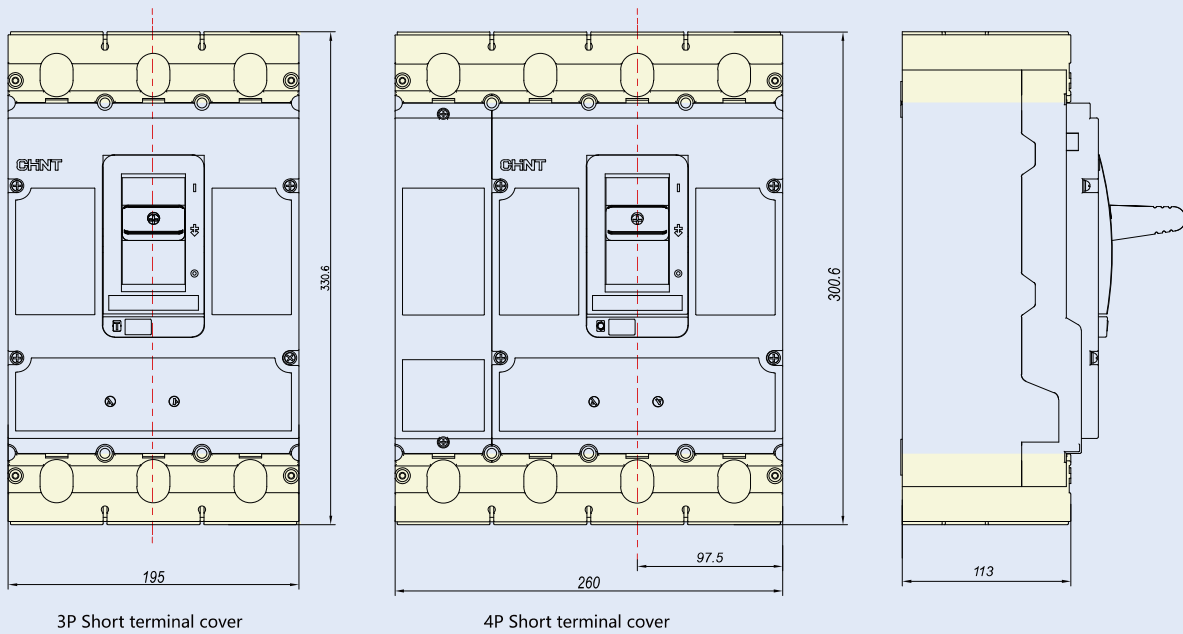
Unit (mm)

NM8N-800 Mechanical interlock



Unit (mm)

NM8N-800 Short terminal cover

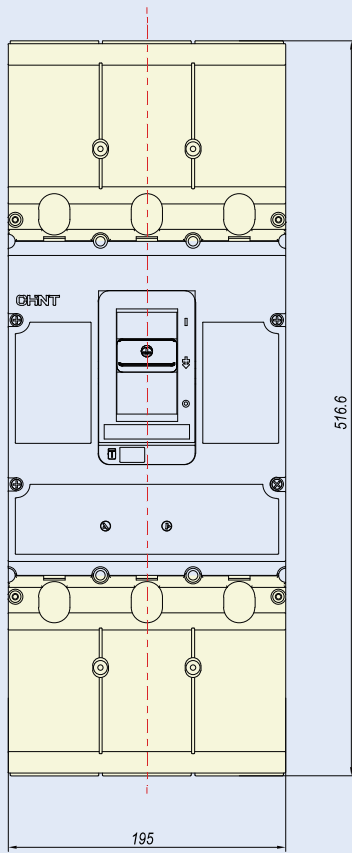


3P Short terminal cover

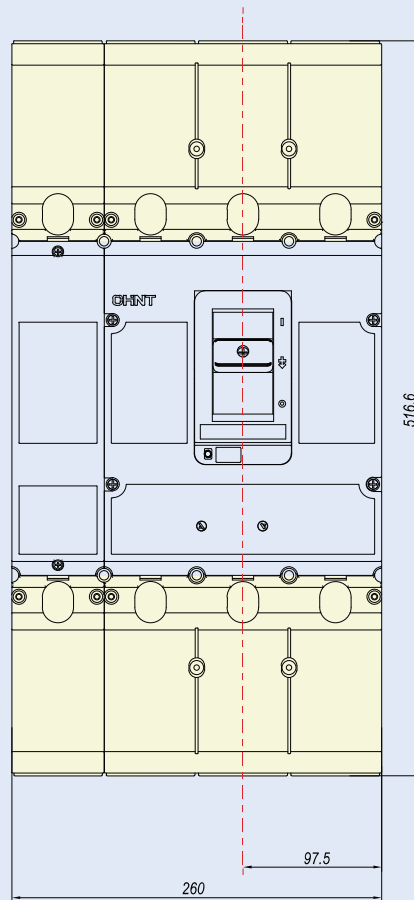
4P Short terminal cover

Unit (mm)

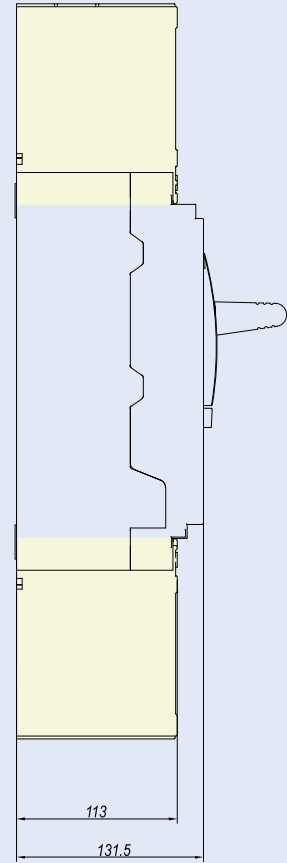
NM8N-800 Long terminal cover



3P Long terminal cover



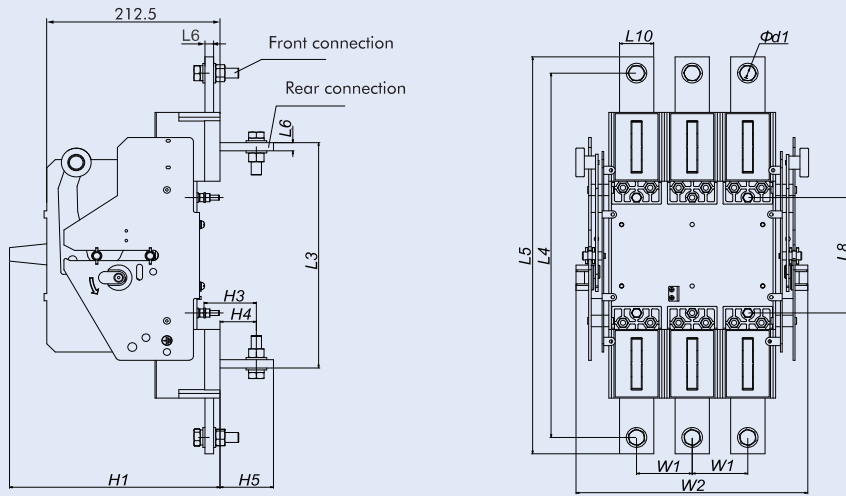
4P Long terminal cover



Unit (mm)



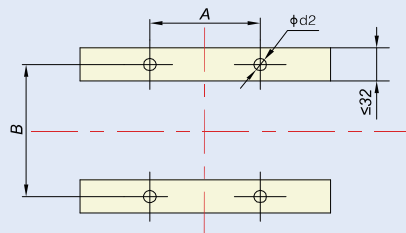
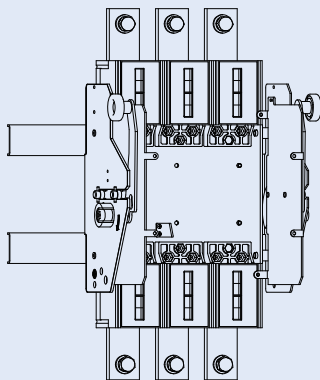
NM8N-800 Draw-out type



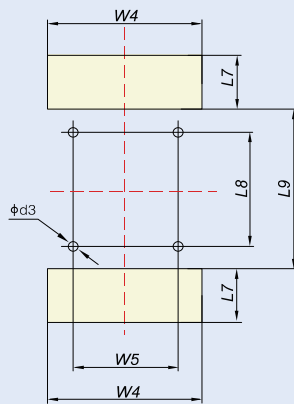
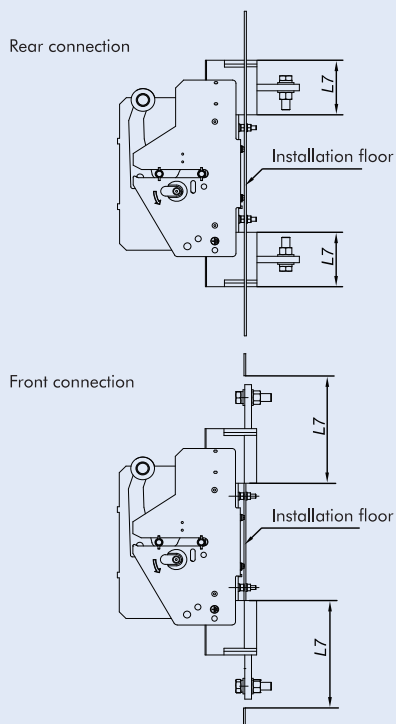
Unit (mm)

Pole	Dimension													
	L3	L4	L5	L6	L8	L10	H1	H3	H4	H5	W1	W2	Φd1	
3P	275	445	485	10	141	40	270	61	42.5	62.5	65	281	13	
4P	275	445	485	10	141	40	270	61	42.5	62.5	65	346	13	

DIN-rail mounting



Pole	installation dimension		
	A	B	Φd2
3P	130	141	7
4P	195	141	7

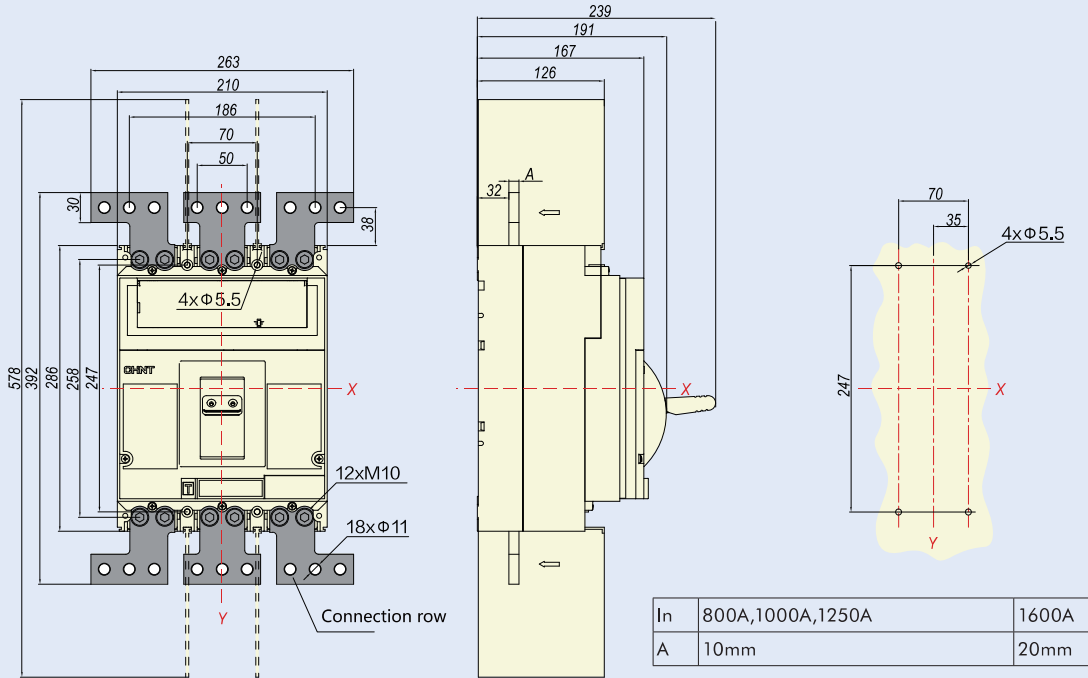


Pole	Installation dimension					
	L8	W5	L9	L7	W4	Φd3
3P	141	130	177	95	200	7
4P	141	195	177	95	265	7

L7=200 when it is front connection, the rest of dimensions are the same with rear connection

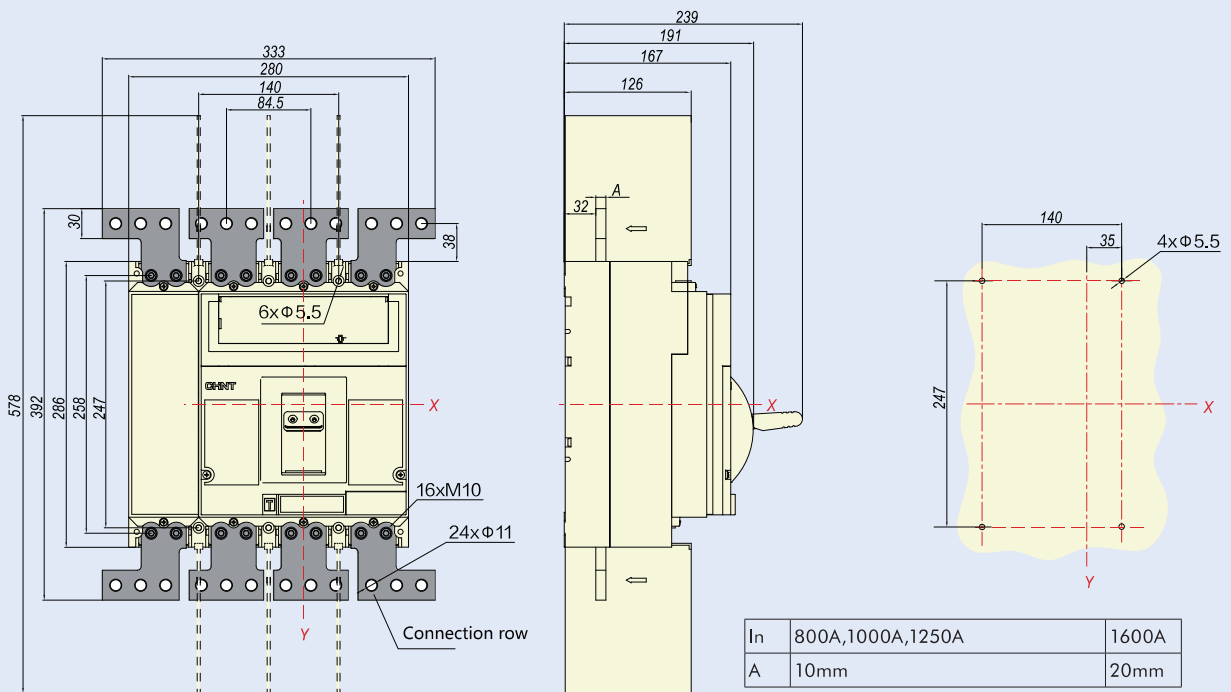
8.5 NM8N-1600

NM8N-1600 Front connection (Manual type 3P)



Unit (mm)

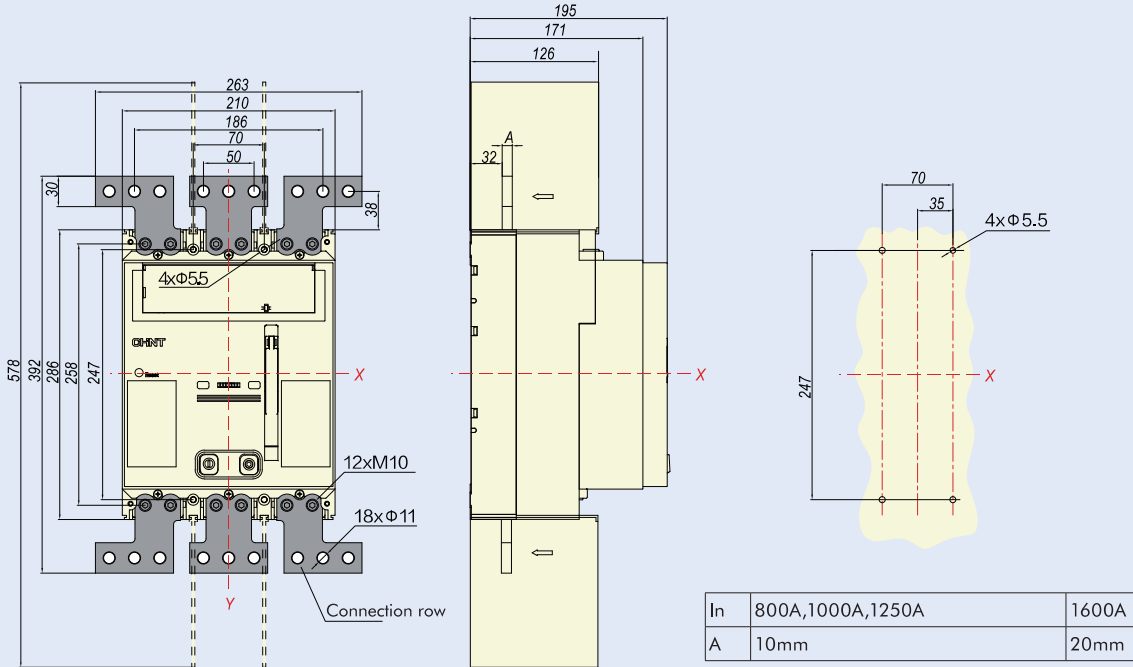
NM8N-1600 Front connection (Manual type 4P)



Unit (mm)

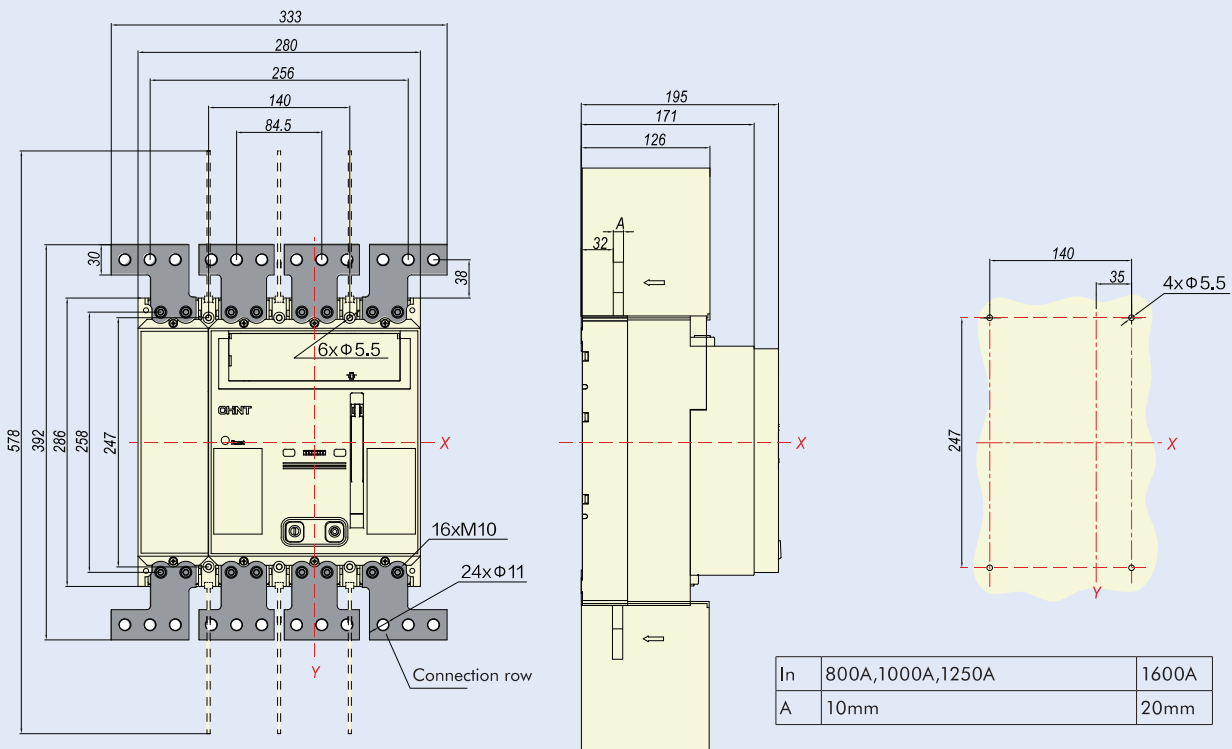


NM8N-1600 Front connection (Motor type 3P)



Unit (mm)

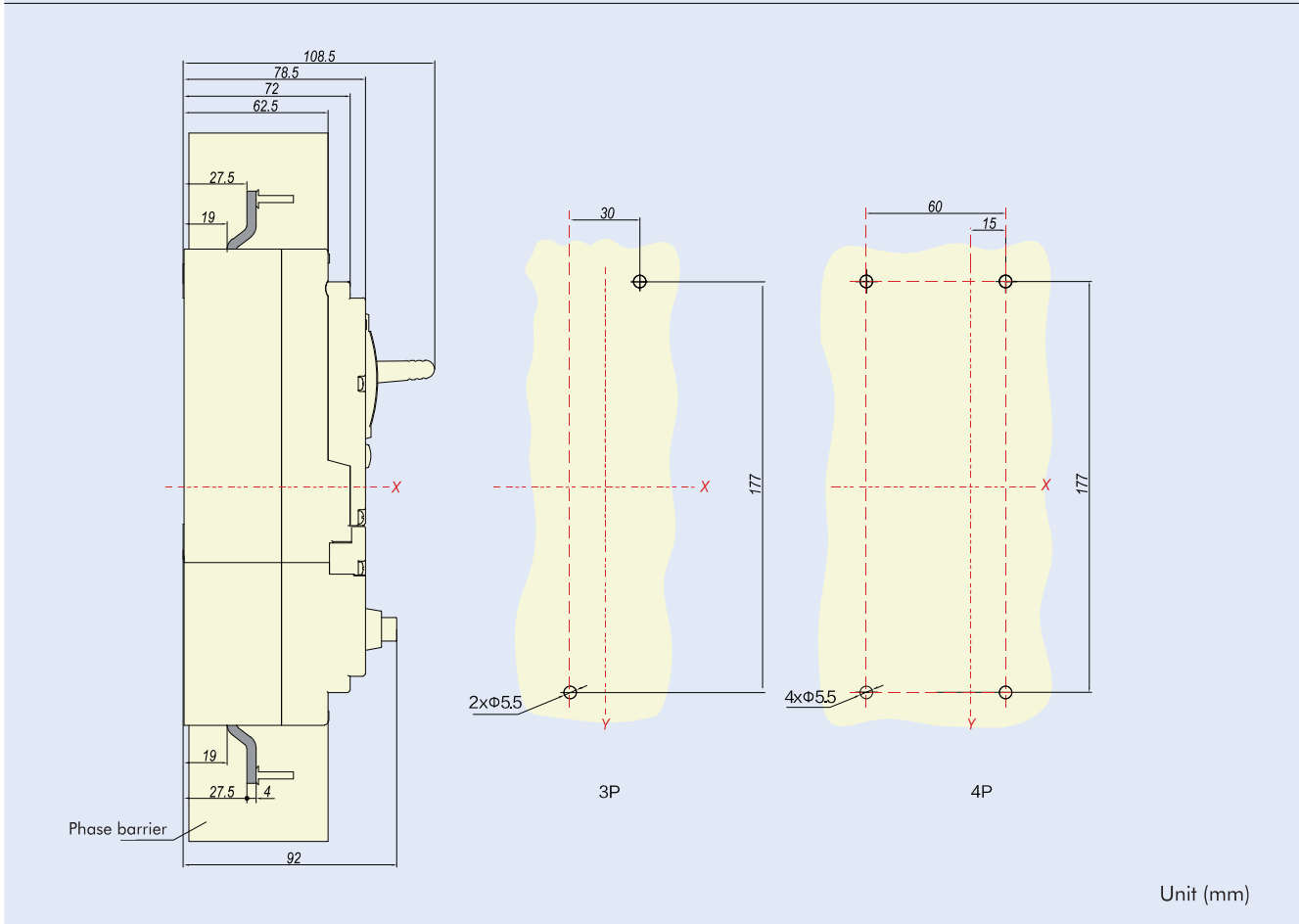
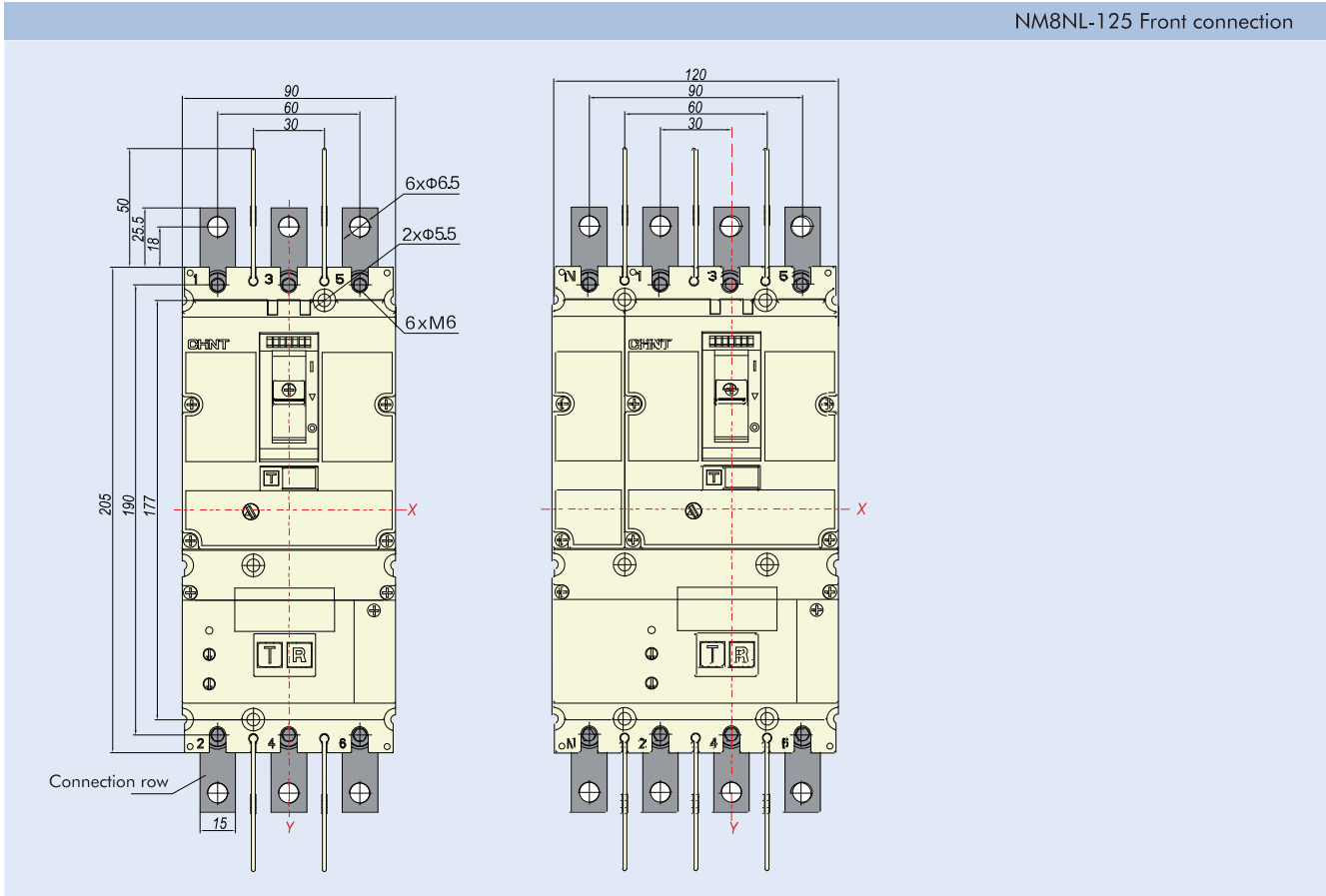
NM8N-1600 Front connection (Motor type 4P)



Unit (mm)

8.6 NM8NL

NM8NL-125 Front connection

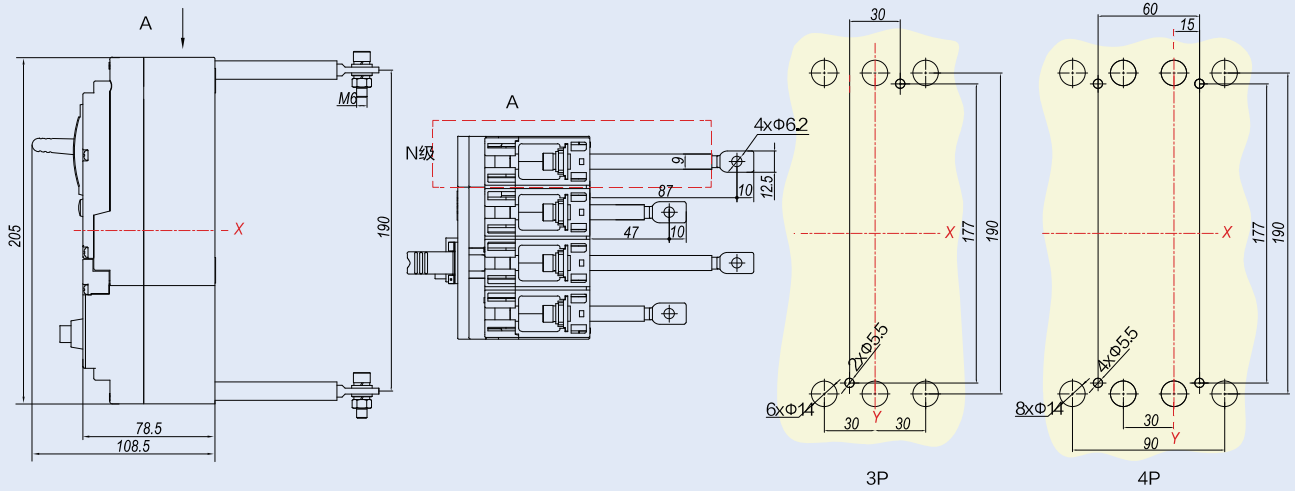


Unit (mm)



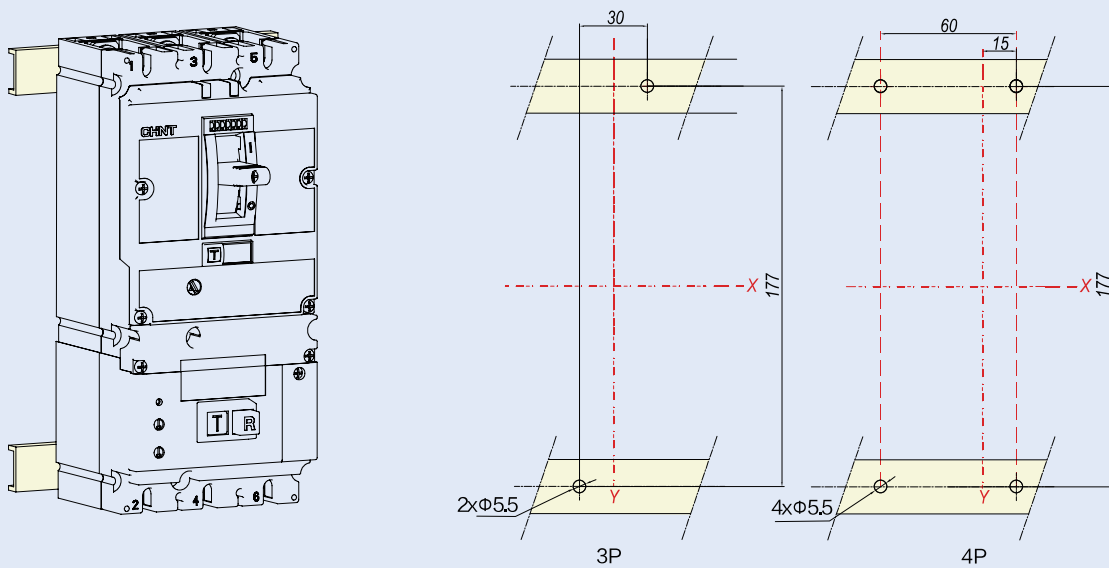


NM8NL-125 Rear connection



Unit (mm)

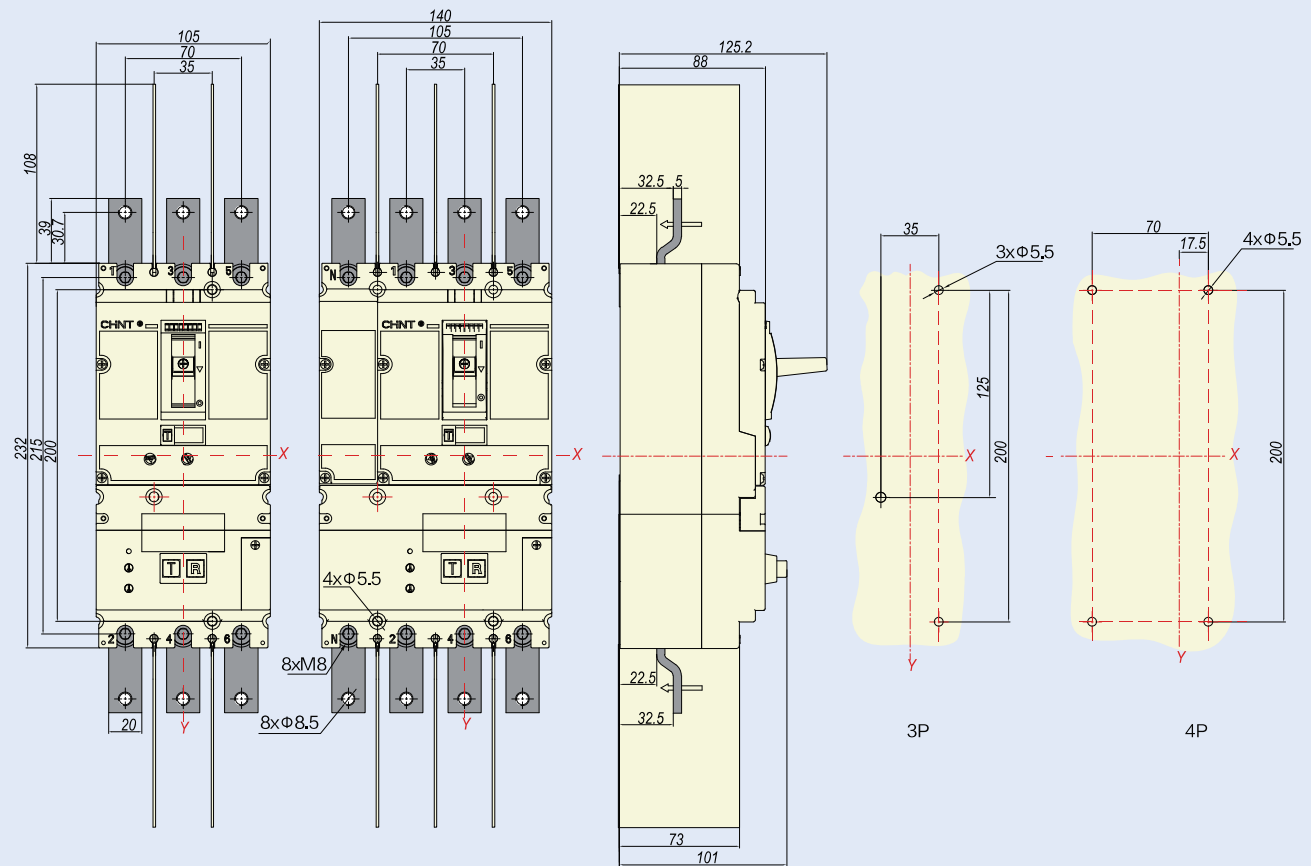
NM8NL-125 DIN-rail mounting



Unit (mm)

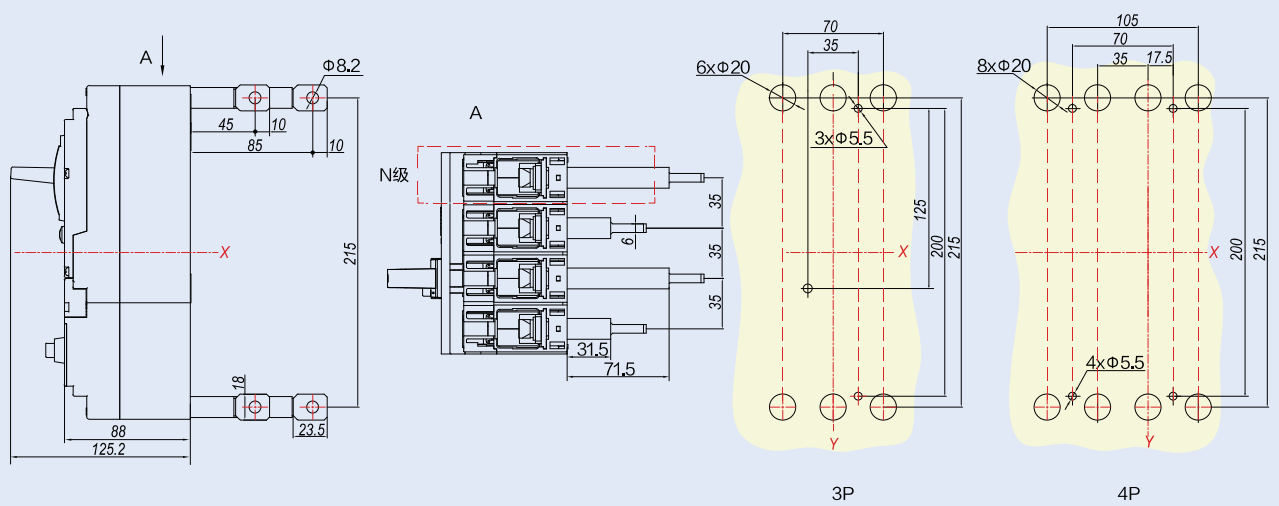


NM8NL-250 Front connection



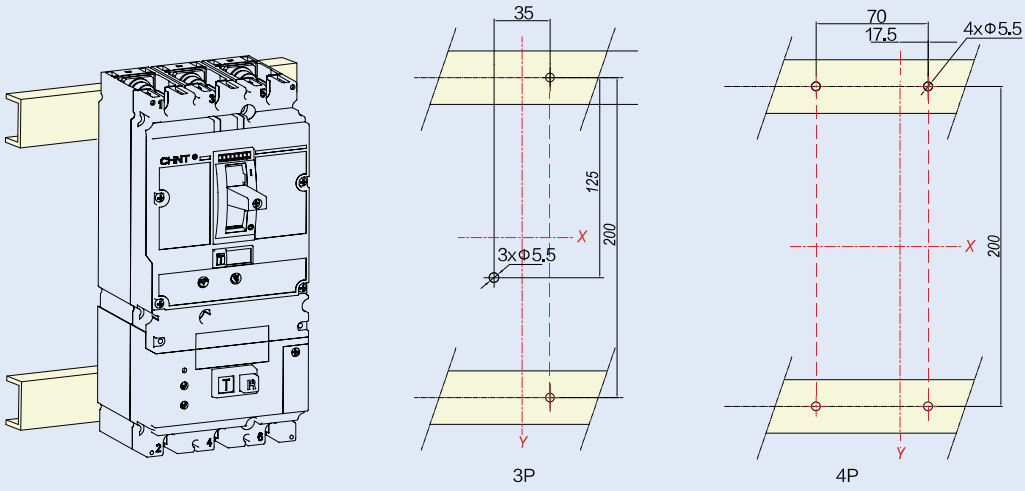
Unit (mm)

NM8NL-250 Rear connection



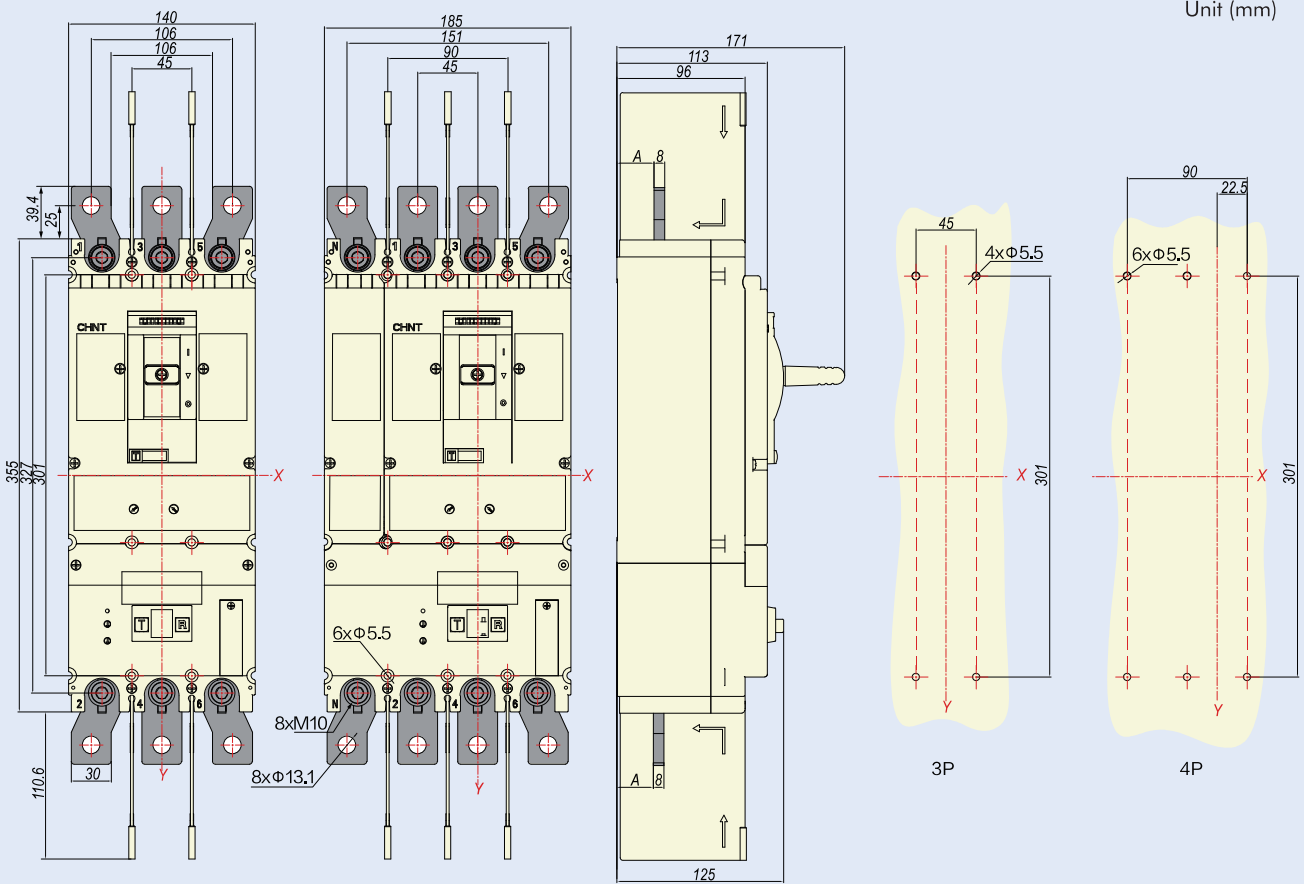
Unit (mm)

NM8NL-250 DIN-rail mounting



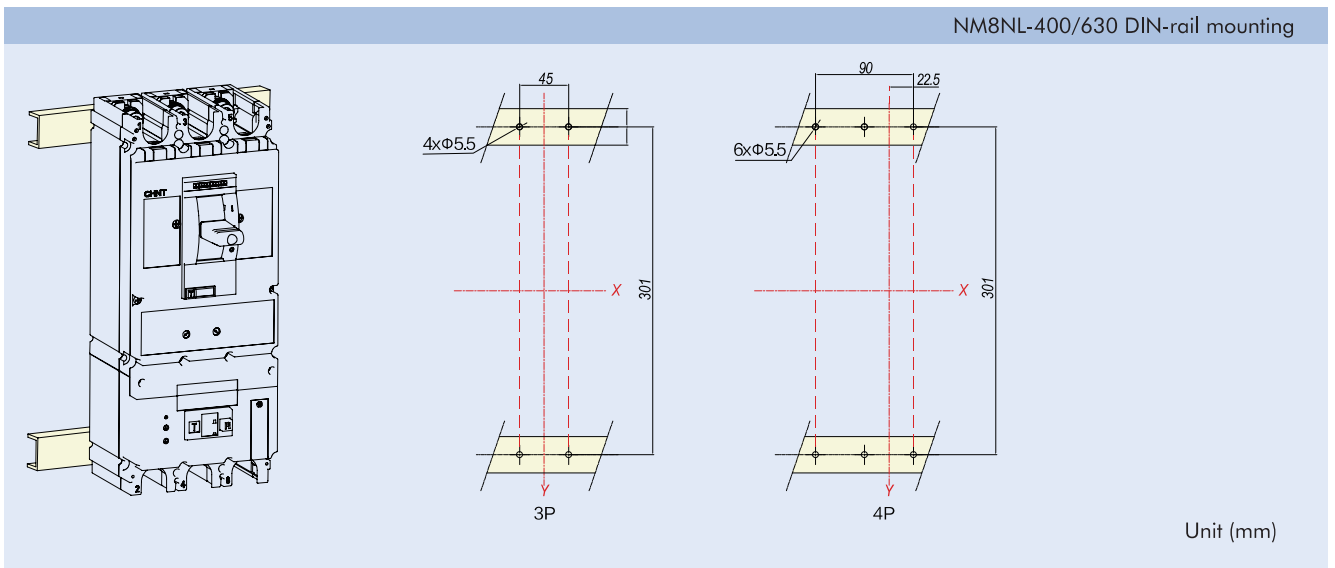
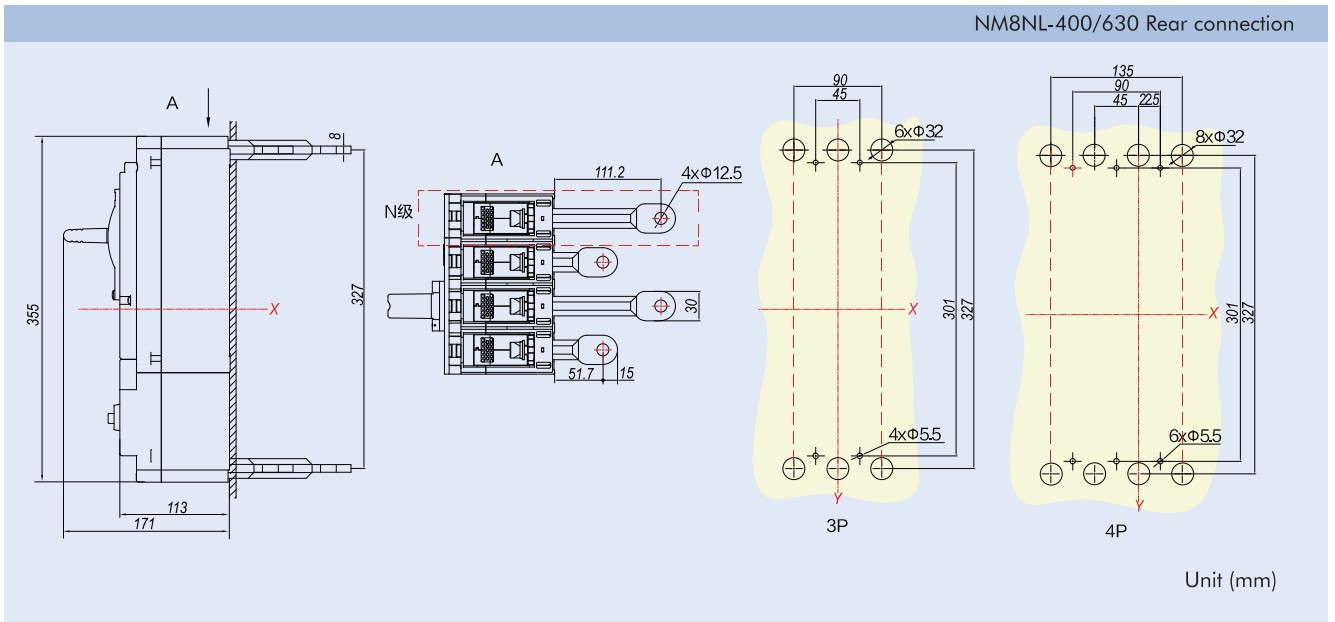
Unit (mm)

NM8NL-400/630 Front connection

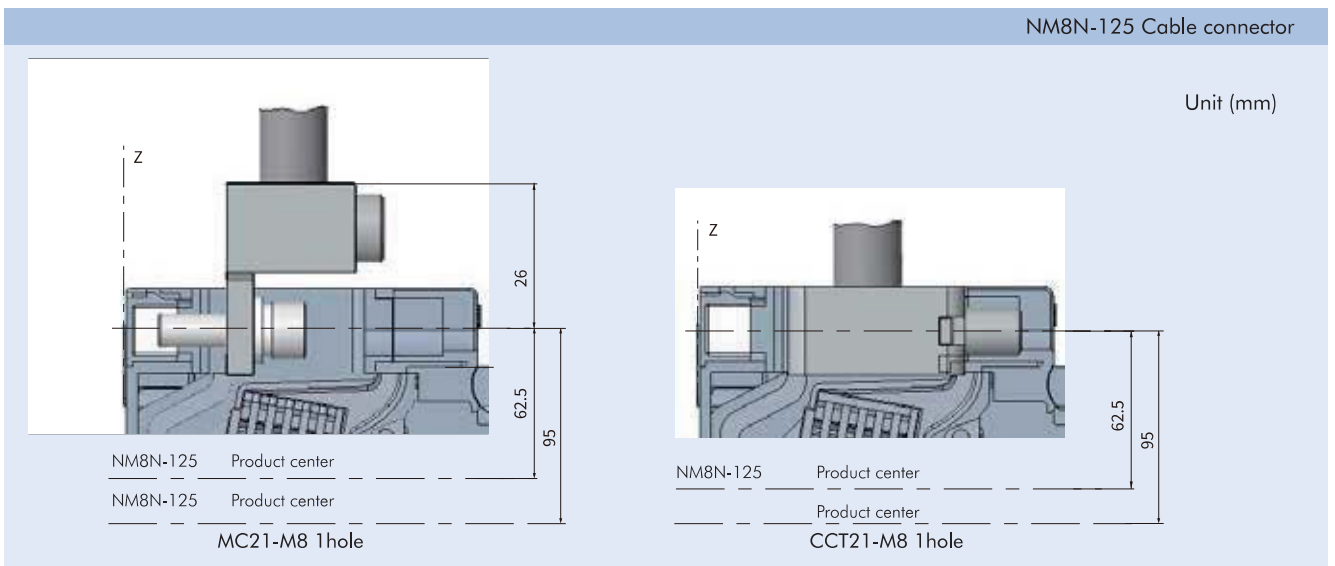


Unit (mm)

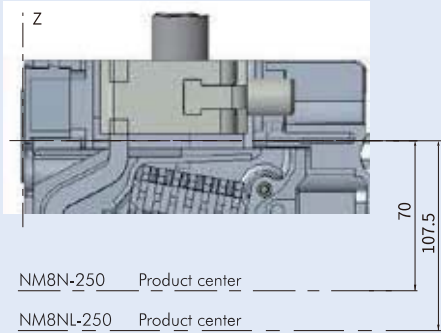
A	≤400A	500A, 630A
mm	27	28



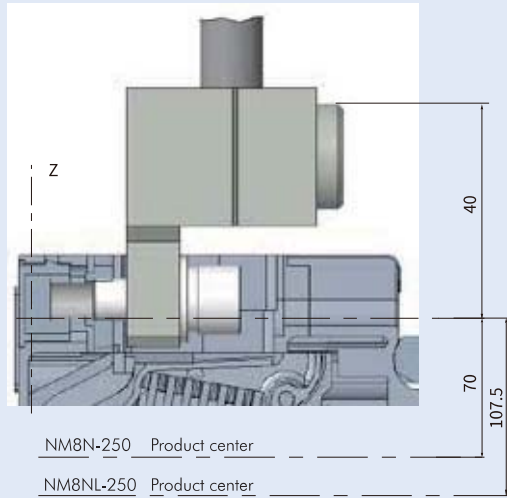
8.7 NM8N Wiring diagram



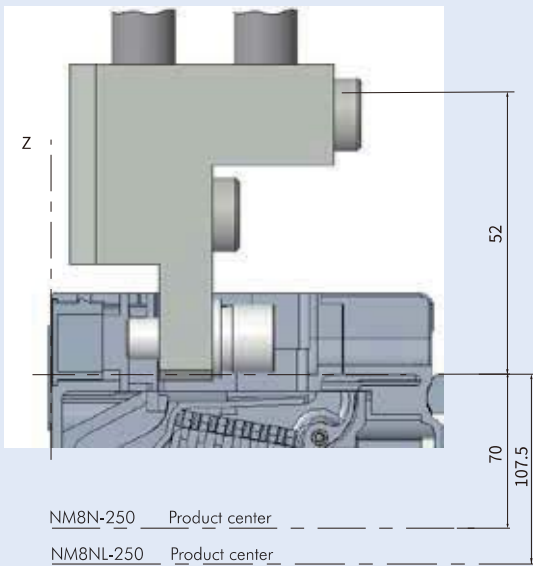
NM8N-250 Cable connector



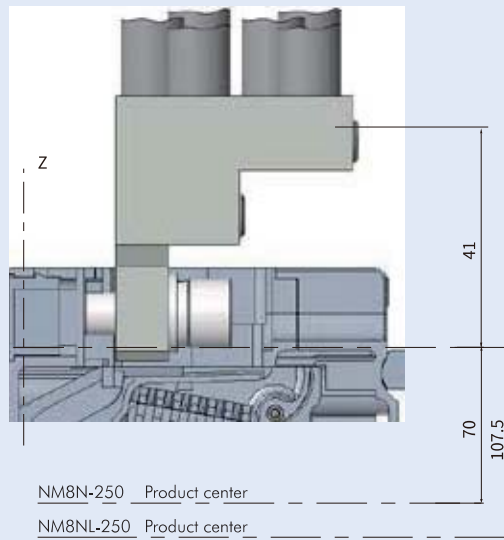
CCT22-M8 1hole



MC22-M8 1hole



MC22-M8 2hole

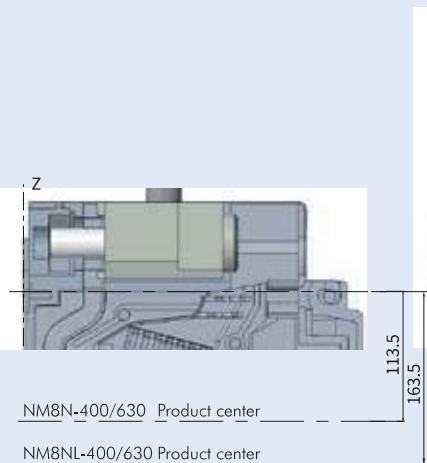


MC22-M8 6hole

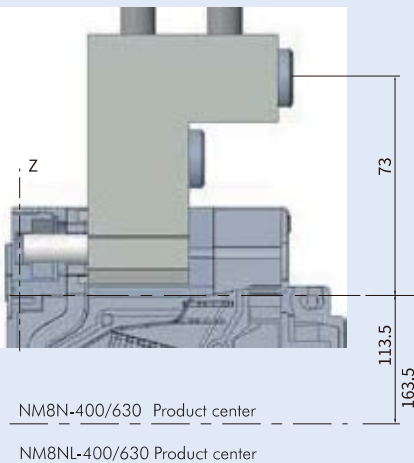
Unit (mm)

NM8N-630 Cable connector

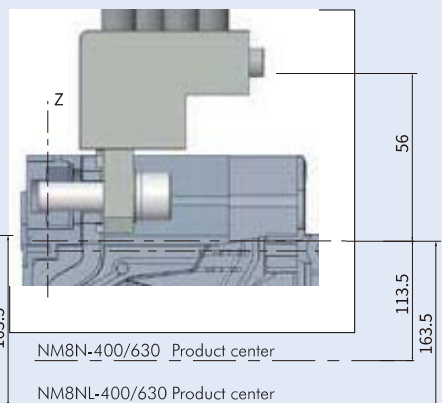
Unit (mm)



CCT23-M8 1hole

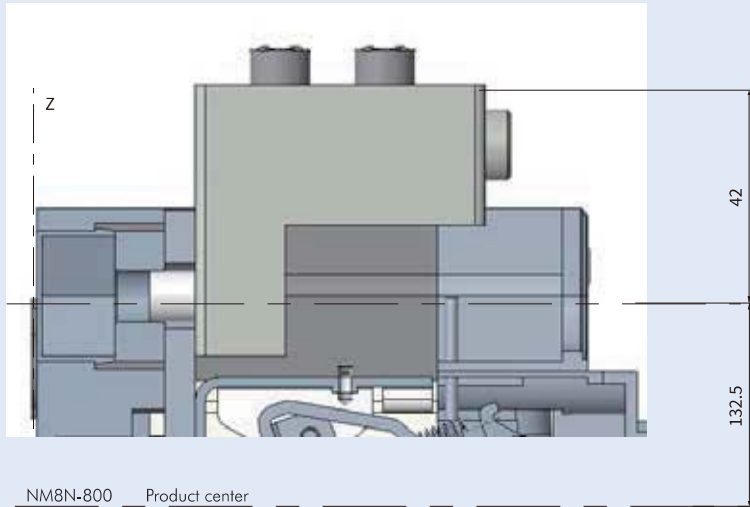


MC23-M8 2hole



MC23-M8 2hole

NM8N-800 Cable connector



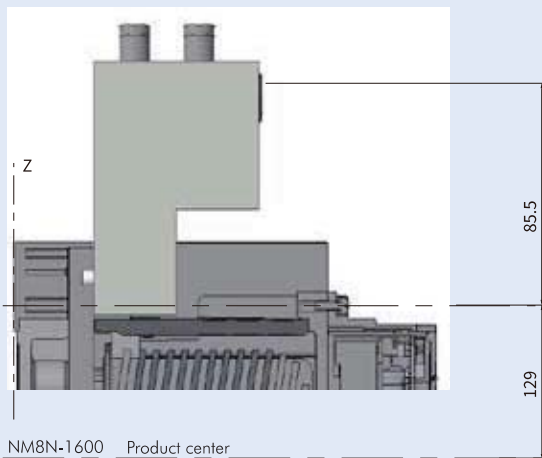
NM8N-800 Product center

MC24-M8 2hole

Unit (mm)

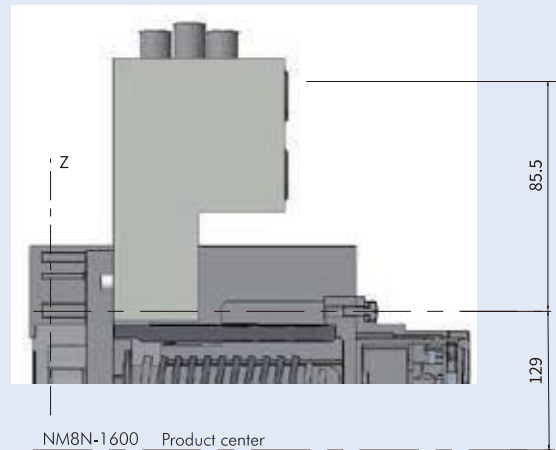
NM8N-1600 Cable connector

Unit (mm)



NM8N-1600 Product center

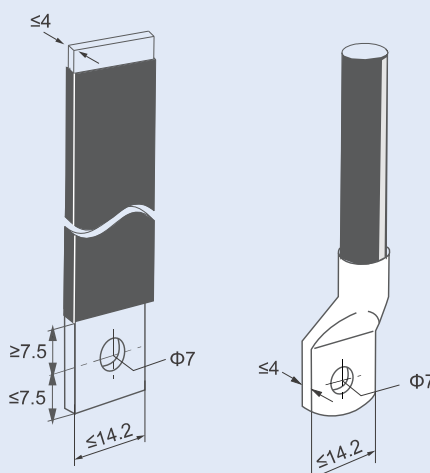
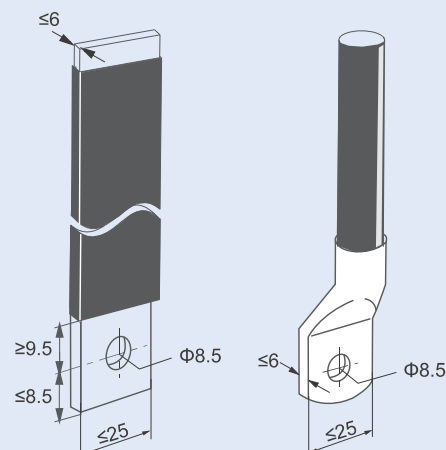
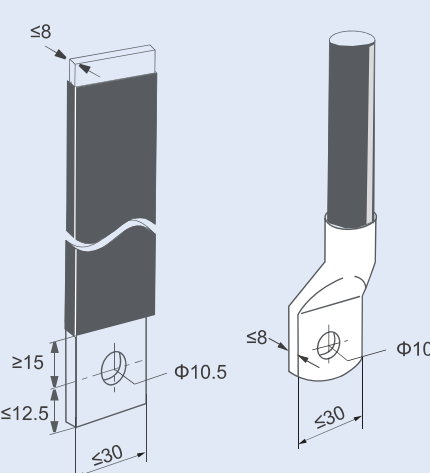
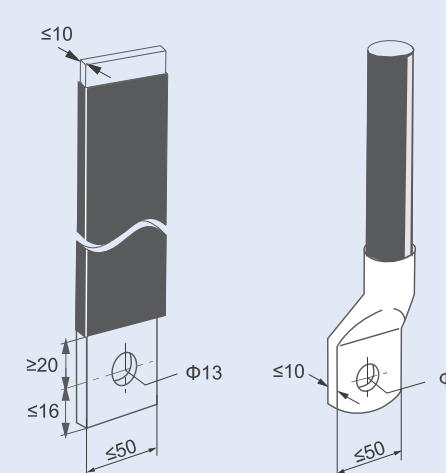
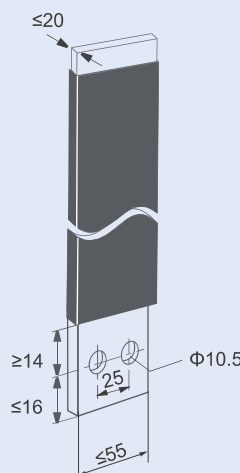
MC25-M8 4hole



NM8N-1600 Product center

MC25-M8 3hole

8.8 Wiring

NM8N-125	NM8N-250
	 <p style="text-align: right;">Unit (mm)</p>
NM8N-400/630	NM8N-800
	 <p style="text-align: right;">Unit (mm)</p>
NM8N-1600	
 <p style="text-align: right;">Unit (mm)</p>	



## 9. Accessories characteristics and installation

NM8N moulded case circuit breaker has various accessory modules, which can be found in P84 for more details

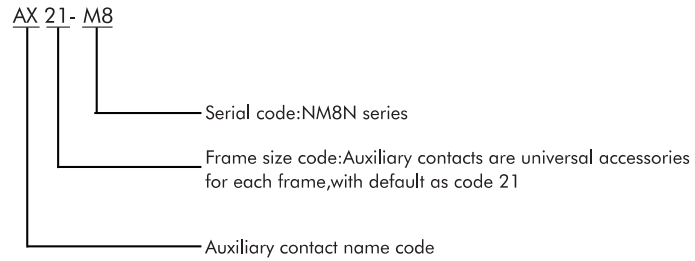


### 9.1 AX Auxiliary contact

#### 9.1.1 Function

Remotely indicate the circuit breaker's making (on) or breaking / tripping (OFF) status, connected to the auxiliary circuit of the circuit breaker.

#### 9.1.2 Model description



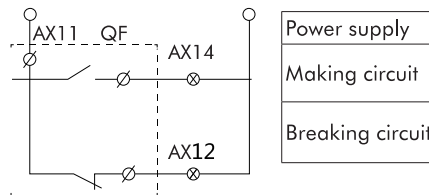
#### 9.1.3 Indication of circuit breaker status

Circuit breaker is at breaking status	
Circuit breaker is at making status	

#### 9.1.4 Electrical characteristics

Rated voltage (V)	Rated current (A)	
	AC-15	DC-13
AC 110	5	—
AC 240	4	—
AC 415	2	—
DC 110	—	0.25
DC 220	—	0.25

#### 9.1.5 Wiring diagram







## 9.2 AL Alarm contact

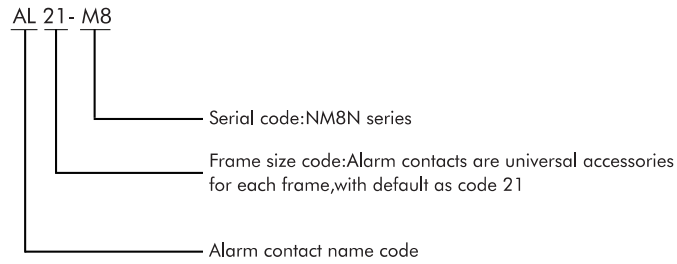
### 9.2.1 Function

It is mainly used to provide a signal when the load of the circuit breaker is overloaded, short-circuited or undervoltage, or tripped.

The reasons for the failure of the alarm signal are:

- Over-load or short-circuit
- Undervoltage trip
- Residual current action trip
- Manual free trip

### 9.2.2 Model description



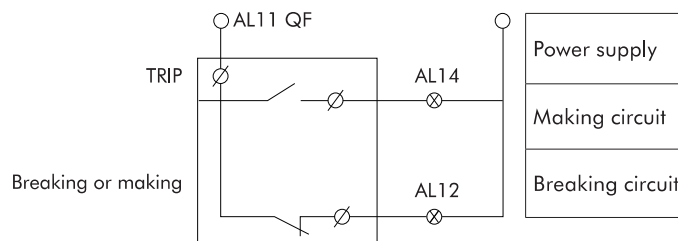
### 9.2.3 Indication of circuit breaker status

Circuit breaker is at breaking or making status	AL12  AL11 AL14
Circuit breaker is at free tripping status	AL12  AL11 AL14

### 9.2.4 Electrical characteristics

Rated voltage (V)	Rated current (A)	
	AC-15	DC-13
AC 110	5	—
AC 240	4	—
AC 415	2	—
DC 110	—	0.25
DC 220	—	0.25

### 9.2.5 Wiring diagram





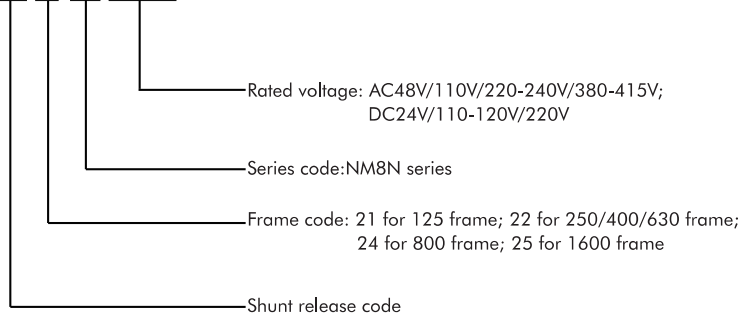
### 9.3 SHT Shunt release

#### 9.3.1 Function

Shunt releases operate according to electrical signals, enabling remote control and automatic control of circuit breakers. When the supply voltage is equal to any voltage between 70% and 110% of the rated control power supply voltage, the shunt release should enable the circuit breaker to operate reliably.

#### 9.3.2 Model description

SHT 21- M8 AC48V



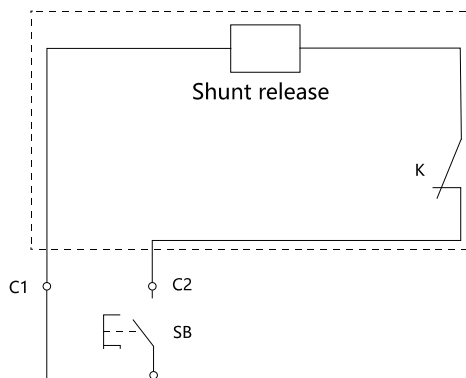
#### 9.3.3 Electrical characteristics

Frame size	Power consumption (W)					
	AC48V	AC110V	AC220-240V	AC380-415V	DC24V	DC220V
125A	2.2	2.2	2	2.5	2.5	2
250/400/630A	2.3	2.5	2.2	2.5	2.2	2.5
800A	2.3	2.5	2.2	2.5	2.2	2.5
1600A	110	195	480	560	230	160

#### 9.3.3 Action characteristics

Can be powered for a long time. Response time: pulse type  $\geq 220\text{ms}$ ,  $\leq 60\text{ms}$

#### 9.3.5 Wiring diagram



**Note:** When the rated control power supply voltage DC24V shunt release is used, the maximum length of the copper wire (each of the two wires) must meet the following table:

Rated control supply voltage $U_s$ (DC24V)	Conductor cross-sectional area	
	1.5mm <sup>2</sup>	2.5mm <sup>2</sup>
100% $U_s$	150m	250m
85% $U_s$	100m	160m

### 9.4 UVT Under-voltage release

#### 9.4.1 Function

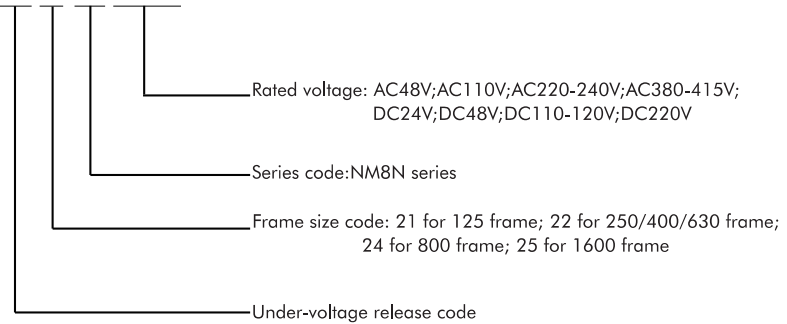
Realize the under-voltage protection function of the circuit breaker, open the circuit breaker when the power supply voltage is too low, and protect the electrical equipment.

- When the supply voltage drops (even slowly) to 70% to 35% of the rated control supply voltage, the under voltage, the undervoltage trips, the breaker should open the circuit breaker reliably.
- When the supply voltage is equal to or greater than 85% of the rated control supply voltage of the undervoltage release, the circuit breaker should be guaranteed to close.
- When the supply voltage is less than 35% of the rated control supply voltage of the undervoltage release, the undervoltage release should prevent the circuit breaker.



#### 9.4.2 Model description

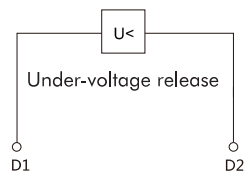
UVT 21- M8 AC48V



#### 9.4.3 Electrical characteristics

Frame size	Power consumption (W)							
	AC 48V	AC110V	AC220-240V	AC380-415V	DC24V	DC48V	DC110-120V	DC220V
125A	1.6	1.6	2	3	1.2	1.6	2	2.2
250/400/630A	1.5	1.5	2.2	3	0.8	1.5	2	2.5
800A	1.5	1.5	2.2	3	0.8	1.5	2	2.5
1600A	2.6	2.2	1.7	0.7	2.8	2.5	2.2	1.8

#### 9.4.4 Wiring diagram





9.5 MOD Motor-driven mechanism

9.5.1 Function

It is suitable for closing, opening and re-opening of circuit breakers at long distances as well as automation applications.

A: Protection level: IP40

- Reliable insulation;
- With isolation function indication;
- O (open), I (closed) and free trip 3 position indications;
- Free circuit breaker trip;
- Manually or automatically operated circuit breakers for closing and opening.

B: manual operation

Pull the "manul/auto" switch to the manual position and turn the operation handle to switch on and off the circuit breaker.

C: automatic operation

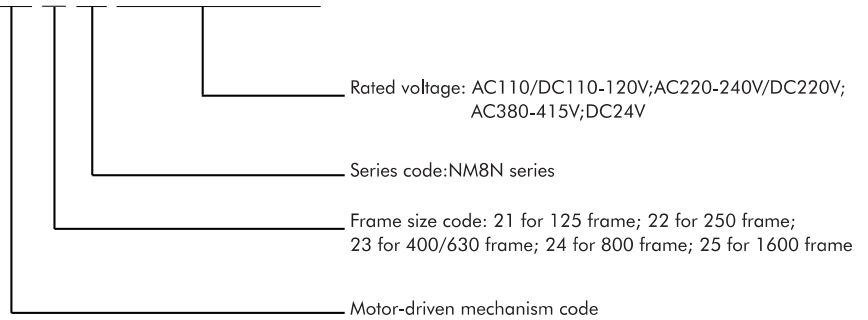
Pull the "manul/auto" switch to the automatic position, and remotely press the "close or open" button to switch on and off the circuit breaker.

D: Automatically switch on or off by pulse or self-holding signal control.

E: Only when the control voltage is  $\geq 85\% U_n$  and  $\leq 110\% U_n$  can the circuit breaker be reliably switched on and off.

9.5.2 Model description

MOD 21- M8 AC110/DC110-120V



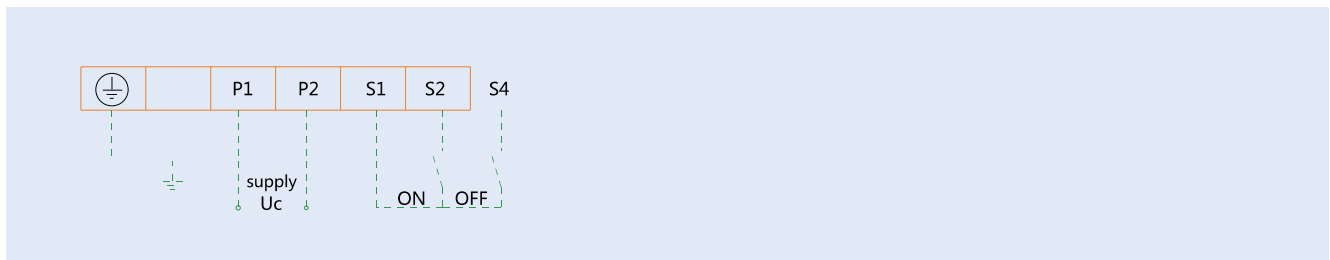
**Note:** The 1600 frame motor-driven mechanism is assembled in the factory and is suitable for electronic circuit breakers and disconnectors according to the inside of the circuit breaker.

9.5.3 Electrical characteristics

9.5.3 Electrical characteristics

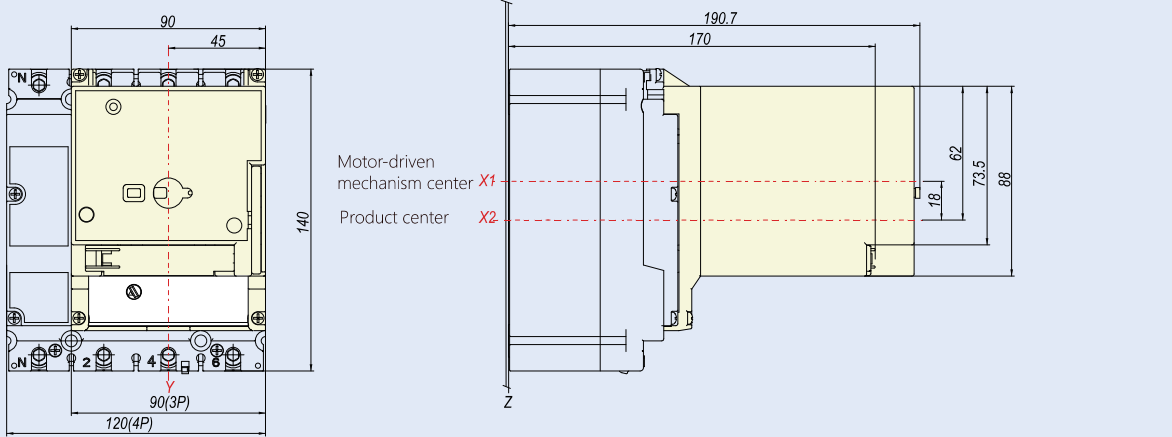
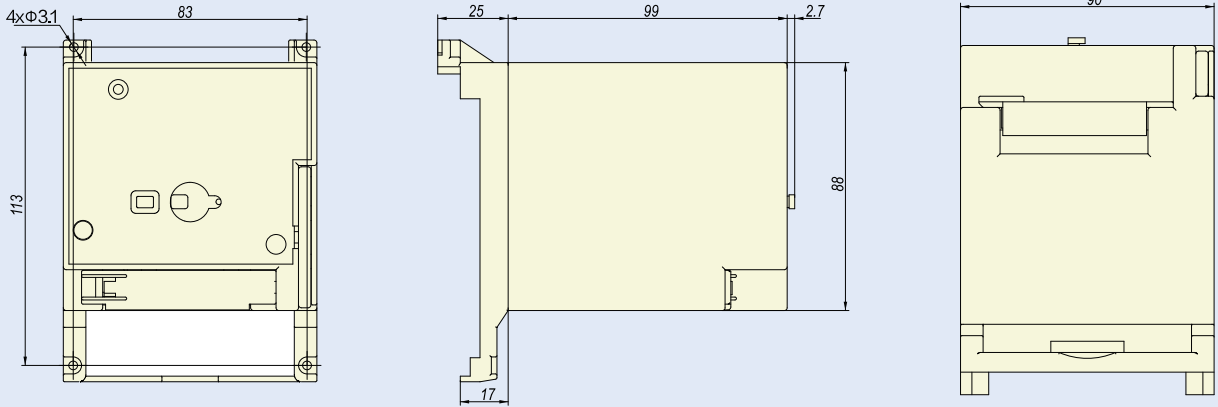
Frame size	Operational Type	Rated operational voltage	Life (CO recycle)	Power consumption	Action current	Making duration	Breaking duration	Minimum duration of ON(OFF) signal pulse
125A	MOD 21-M8	AC110V/DC110 AC220-240V DC220V AC380-415V DC24V	10000	150 150 150 100	$\geq 3$ $\geq 4$	$\leq 500\text{ms}$	$\leq 500\text{ms}$	300ms
250A	MOD 22-M8	AC110V/DC110 AC220-240V DC220V AC380-415V DC24V	10000	150 150 150 100	$\geq 3$ $\geq 4$	$\leq 500\text{ms}$	$\leq 500\text{ms}$	300ms
400/630A	MOD 23-M8	AC110V/DC110 AC220-240V DC220V AC380-415V DC24V	8000	300 300 300 190	$\geq 3$ $\geq 8$	$\leq 1000\text{ms}$	$\leq 1000\text{ms}$	300ms
800A	MOD 24-M8	AC110V/DC110 AC220-240V DC220V AC380-415V DC24V	4000	300 300 300 190	$\geq 3$ $\geq 8$	$\leq 1000\text{ms}$	$\leq 1000\text{ms}$	300ms

9.5.4 Wiring diagram

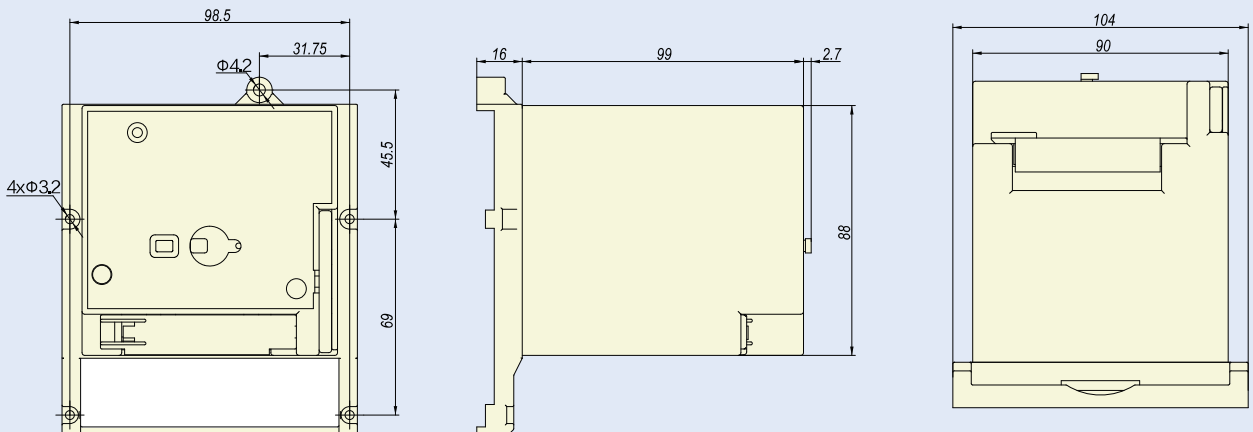


9.5.5 Installation dimension drawing

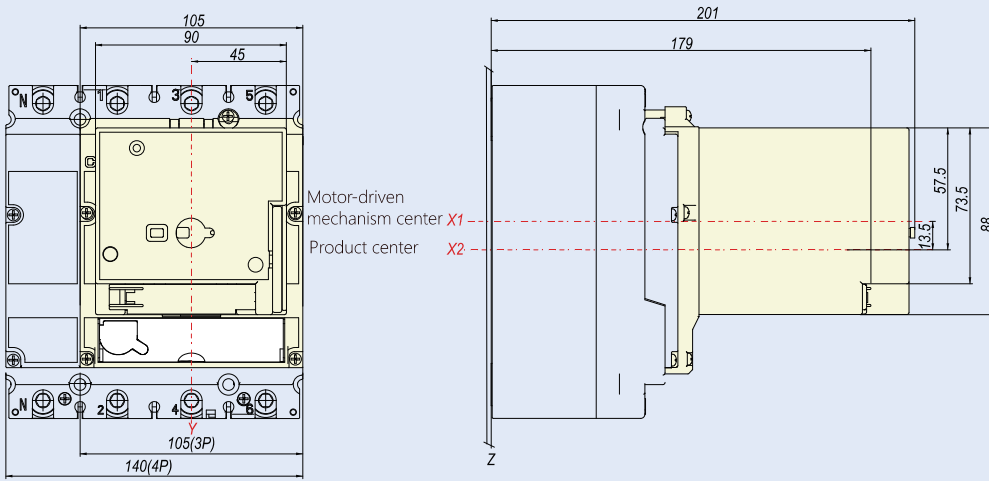
Overall and mounting dimension of MOD21-M8



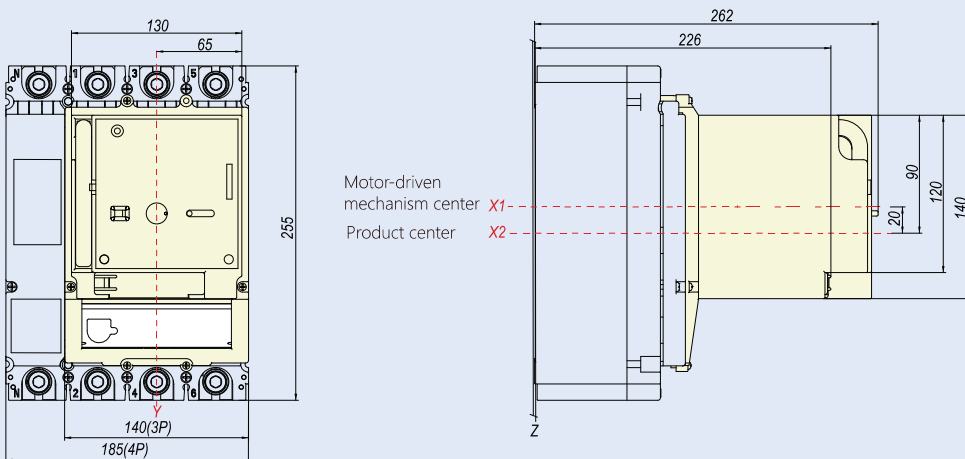
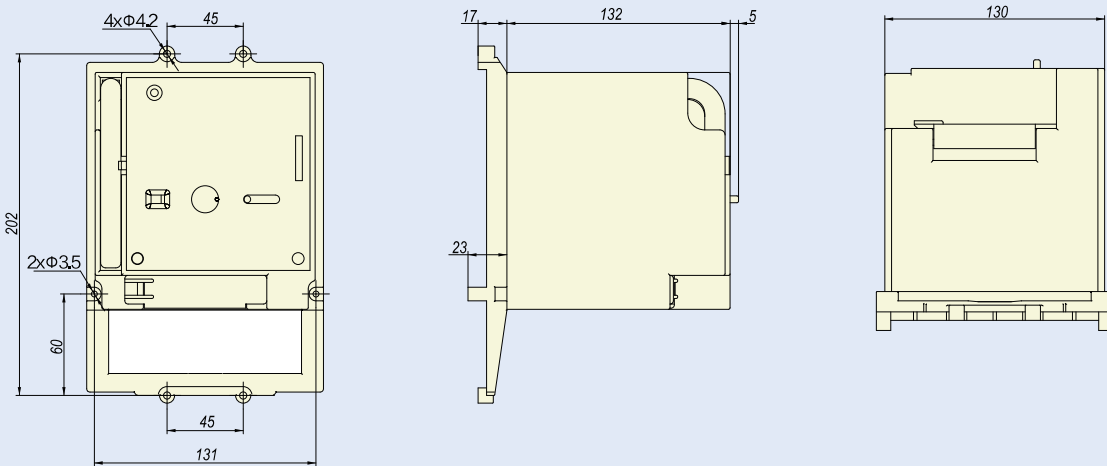
Overall dimension of MOD22-M8



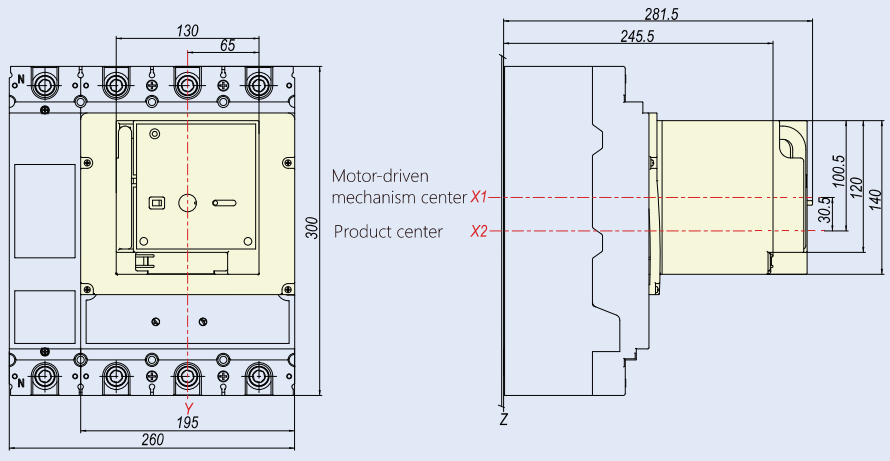
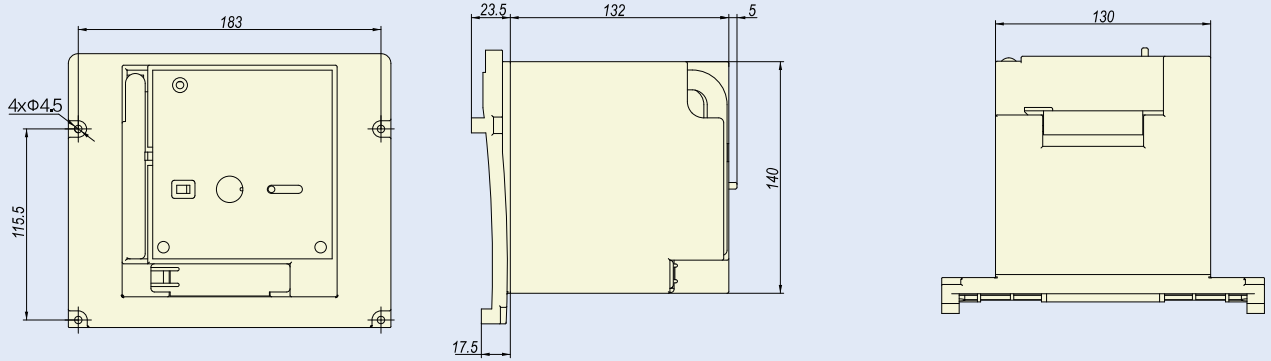
Mounting dimension of MOD22-M8



Overall and mounting dimension of MOD23-M8



Overall and mounting dimension of MOD24-M8





### 9.6 SRH Economic extended rotary handle

#### 9.6.1 Function

The unique design and transmission structure are adopted to realize the closing, opening and re-closing operation of the circuit breaker by rotating the handle.

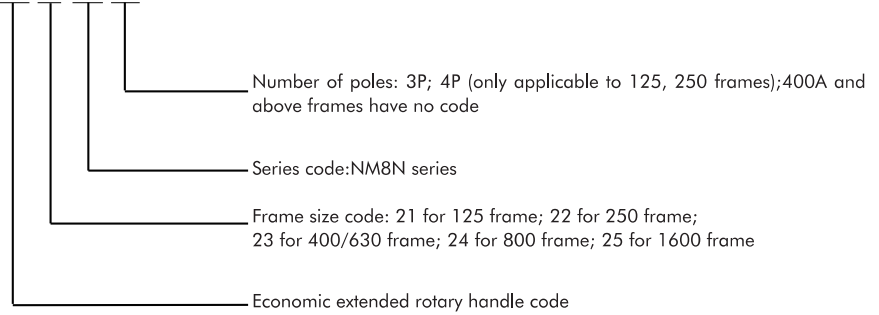
Protection degree: IP30

- With isolation function indication;
- O (open), I (closed) and free trip 3 position indications;
- The circuit breaker can be locked in the OFF position with 1~3 padlocks with a diameter of 5~8mm. At this time, it can prevent the circuit breaker from closing and the switch cabinet from opening;
- When the switch is in the ON position, the cabinet door cannot be opened under the action of the rotary handle (if the cabinet door is opened urgently, the cabinet door can be opened by the emergency unlocking device on the handle).



#### 9.6.2 Model description

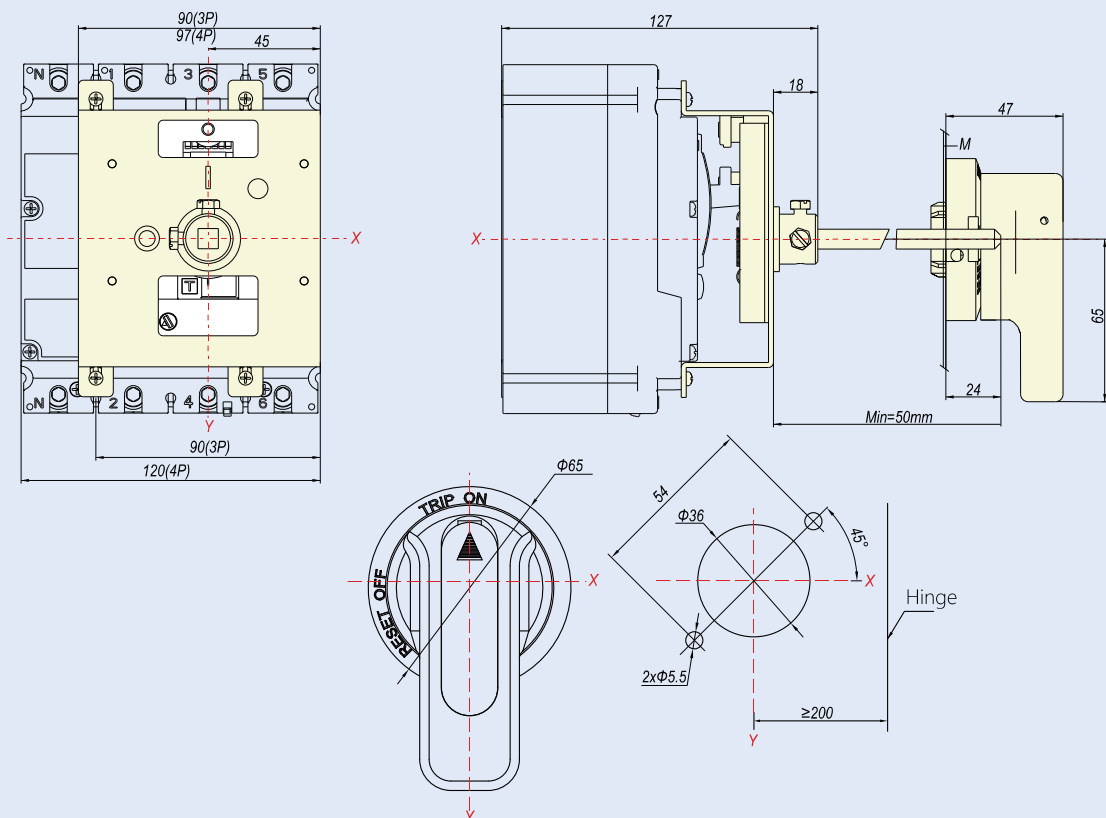
SRH 21- M8 3P



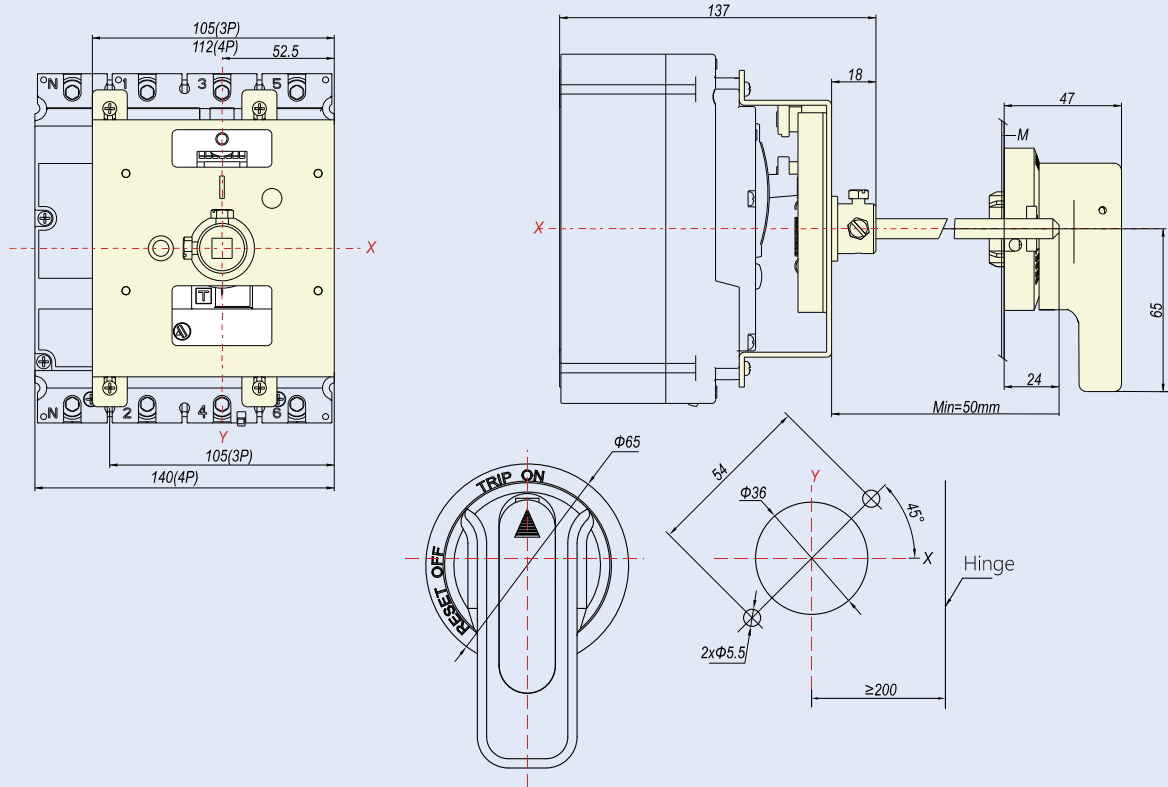
**Note:** default length of shaft is 150mm

#### 9.6.3 Installation dimension drawing

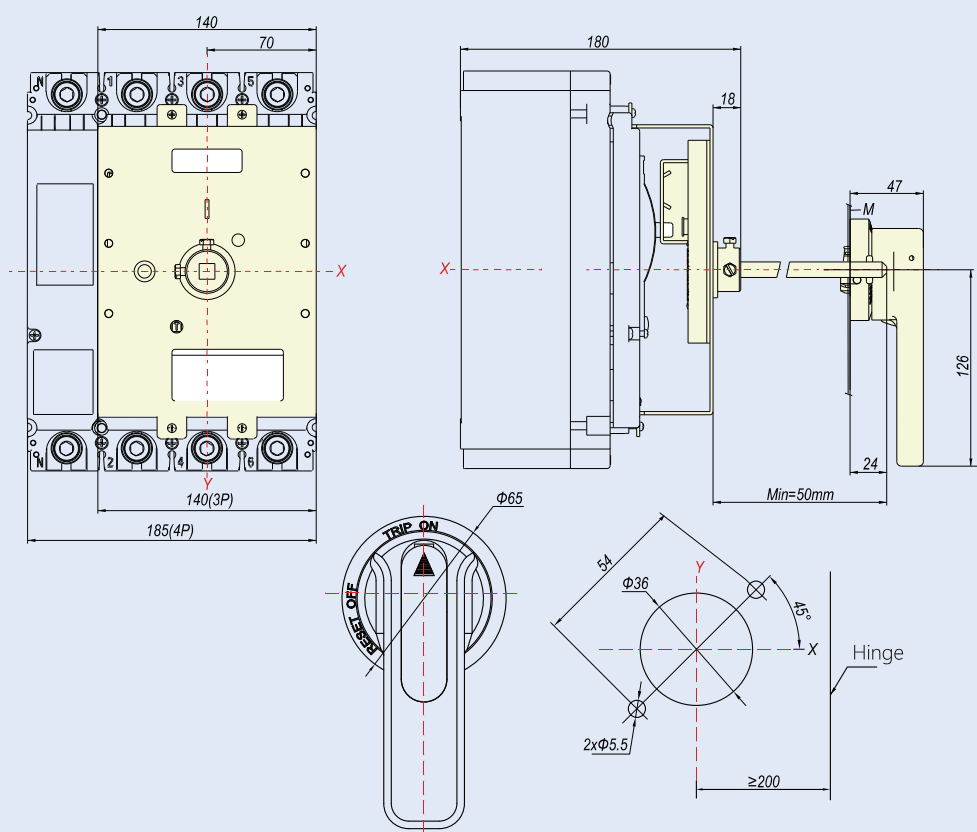
Overall and mounting dimension of SRH21-M8



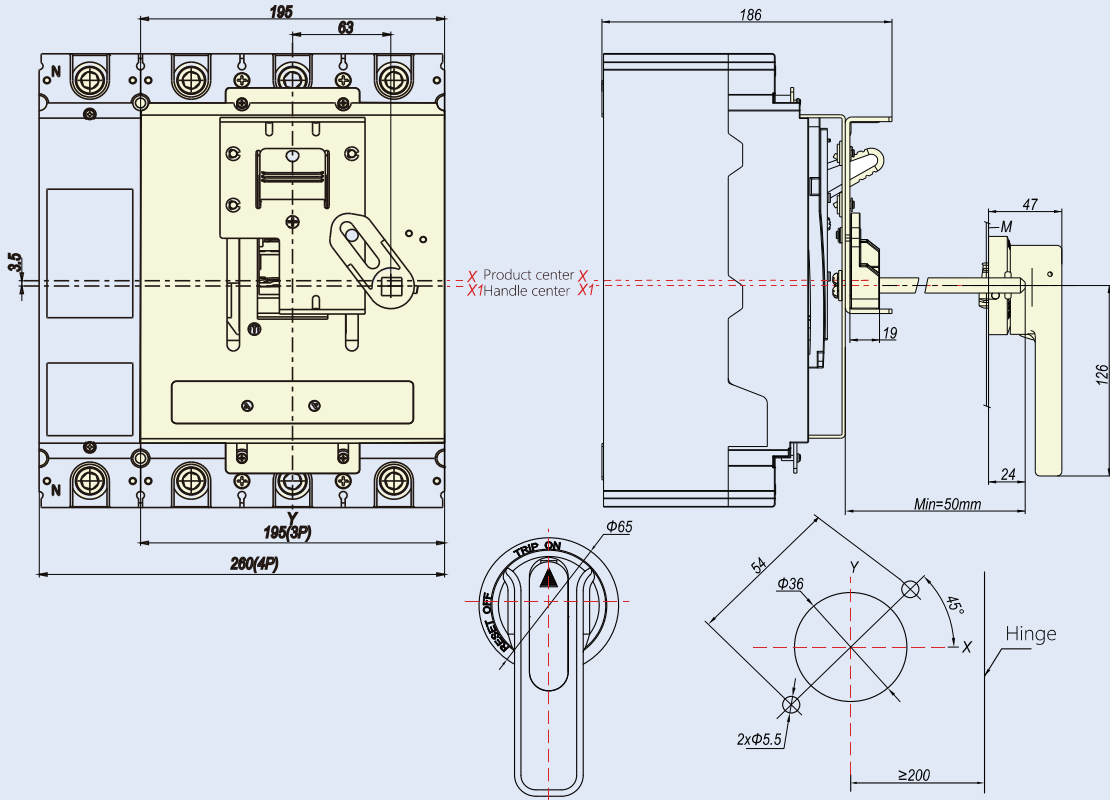
Overall and mounting dimension of SRH22-M8



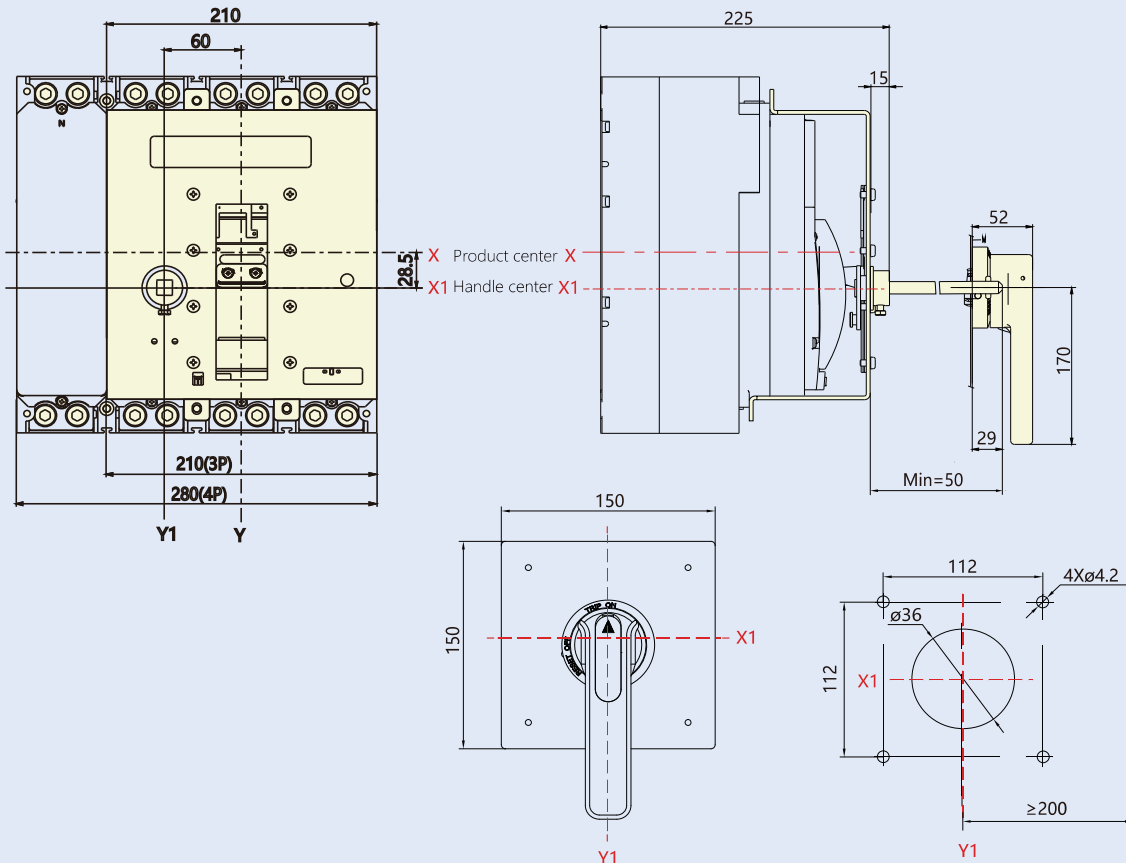
Overall and mounting dimension of SRH23-M8



Overall and mounting dimension of SRH24-M8



Overall and mounting dimension of SRH25-M8



### 9.7 DRH Direct rotary handle

#### 9.7.1 Function

The unique design and transmission structure are adopted to realize the closing, opening and re-closing operation of the circuit breaker by rotating the handle.

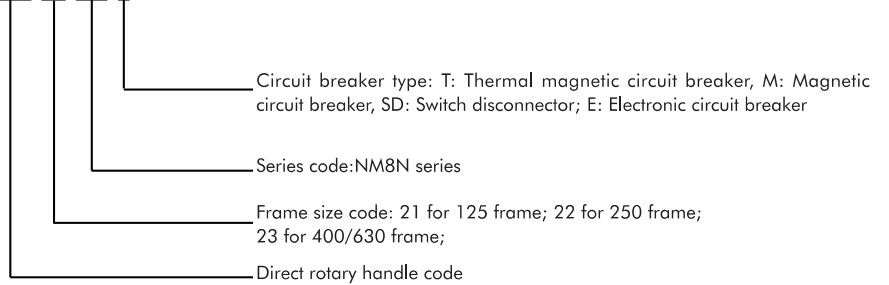
Protection degree: IP40

- Reliable insulation;
- With isolation function indication;
- O (open), I (closed) and free trip 3 position indications;
- The circuit breaker can be locked in the OFF position through 1~3 padlocks with a diameter of 5~8mm.
- (Padlock user prepared)



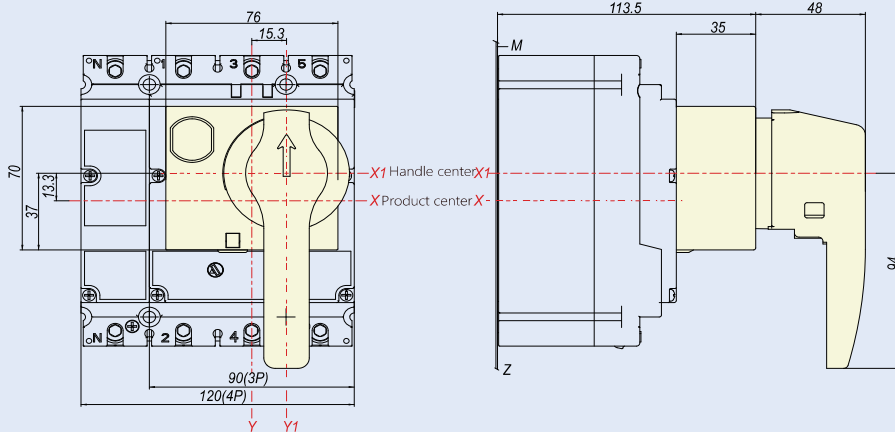
#### 9.7.2 Model description

DRH 21-M8 T

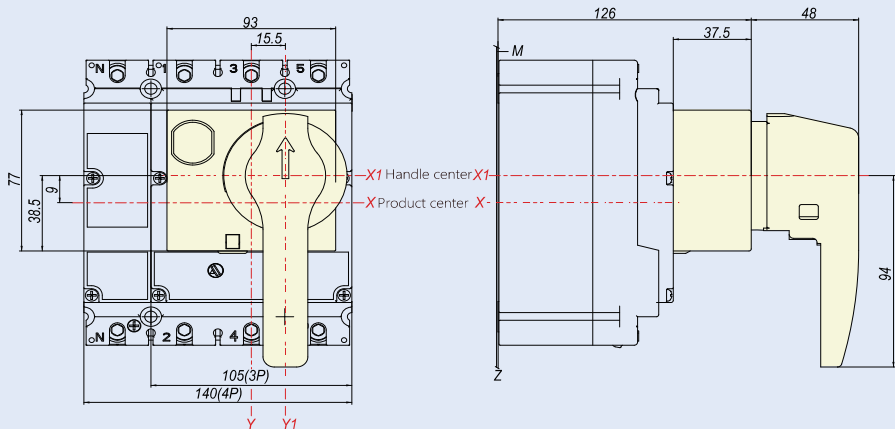


#### 9.7.3 Installation dimension drawing

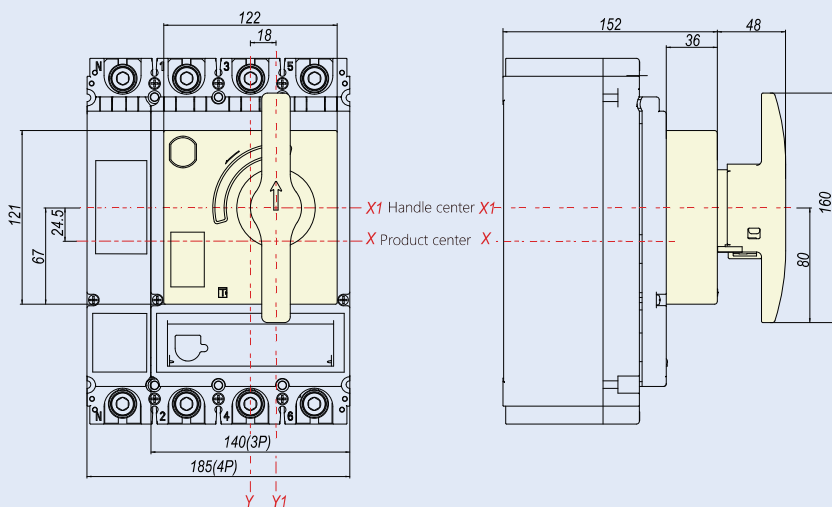
Overall dimension of DRH21-M8



Overall dimension of DRH22-M8



Overall dimension of DRH23-M8



### 9.8 ERH Extended rotary handle

#### 9.8.1 Function

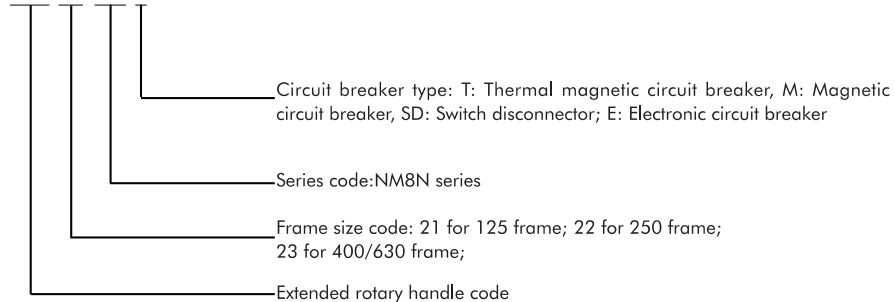
The unique design and transmission structure are adopted to realize the closing, opening and re-closing operation of the circuit breaker by rotating the handle.

Protection degree: IP50

- Reliable insulation;
- With isolation function indication;
- O (open), I (closed) and free trip 3 position indications;
- When the switch cabinet door is opened, the setting value of the circuit breaker release can be set;
- When the switch cabinet door is opened, it can prevent the circuit breaker from closing;
- The circuit breaker can be locked in the OFF position through (1~3) padlocks with a diameter of (5~8) mm;
- (Padlock user prepared) can prevent the switch cabinet door from opening at this time;
- When the switch is in the ON position, the cabinet door cannot be opened under the action of the rotary handle (if the cabinet door is opened urgently, the cabinet door can be opened by the emergency unlocking device on the handle).

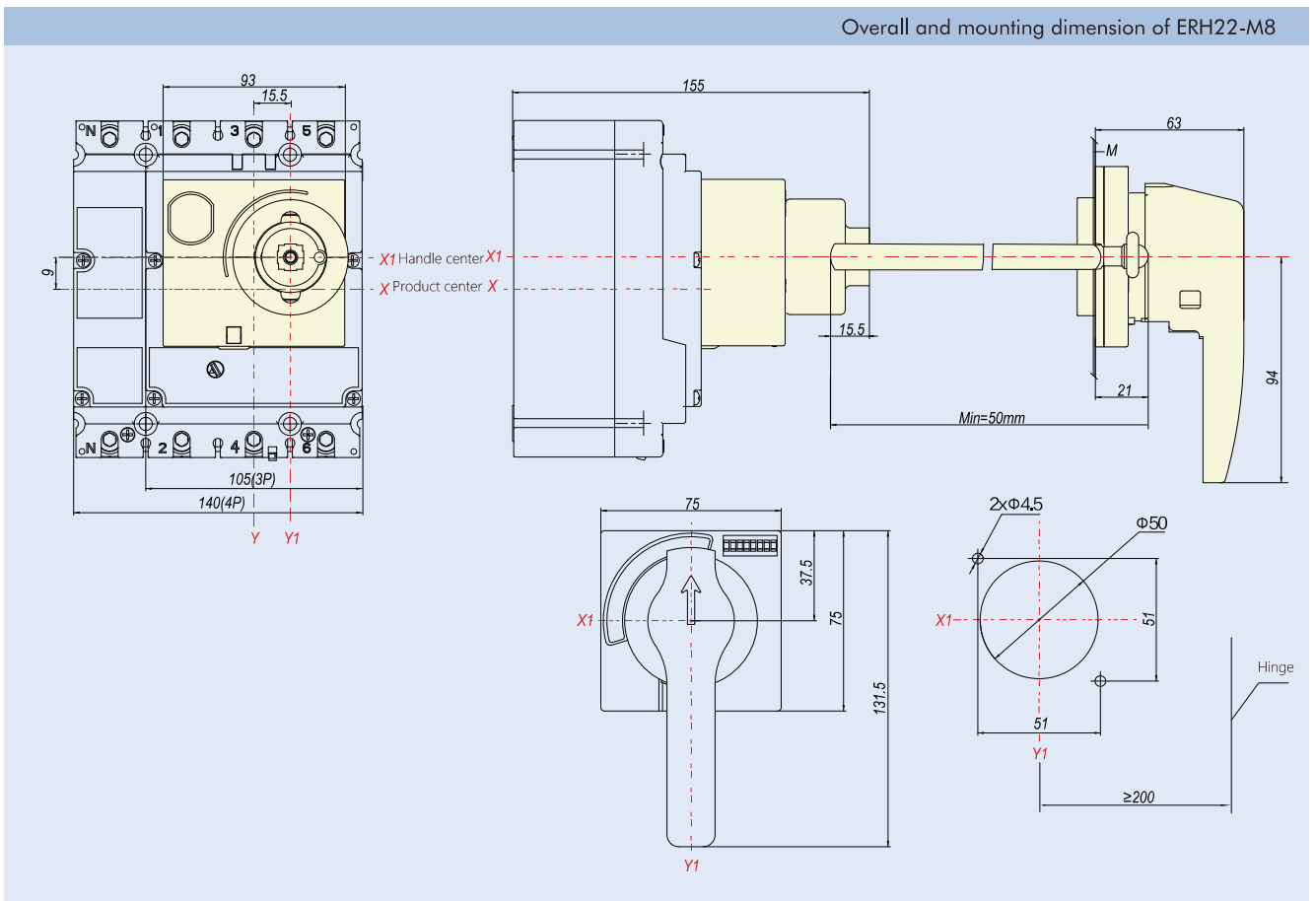
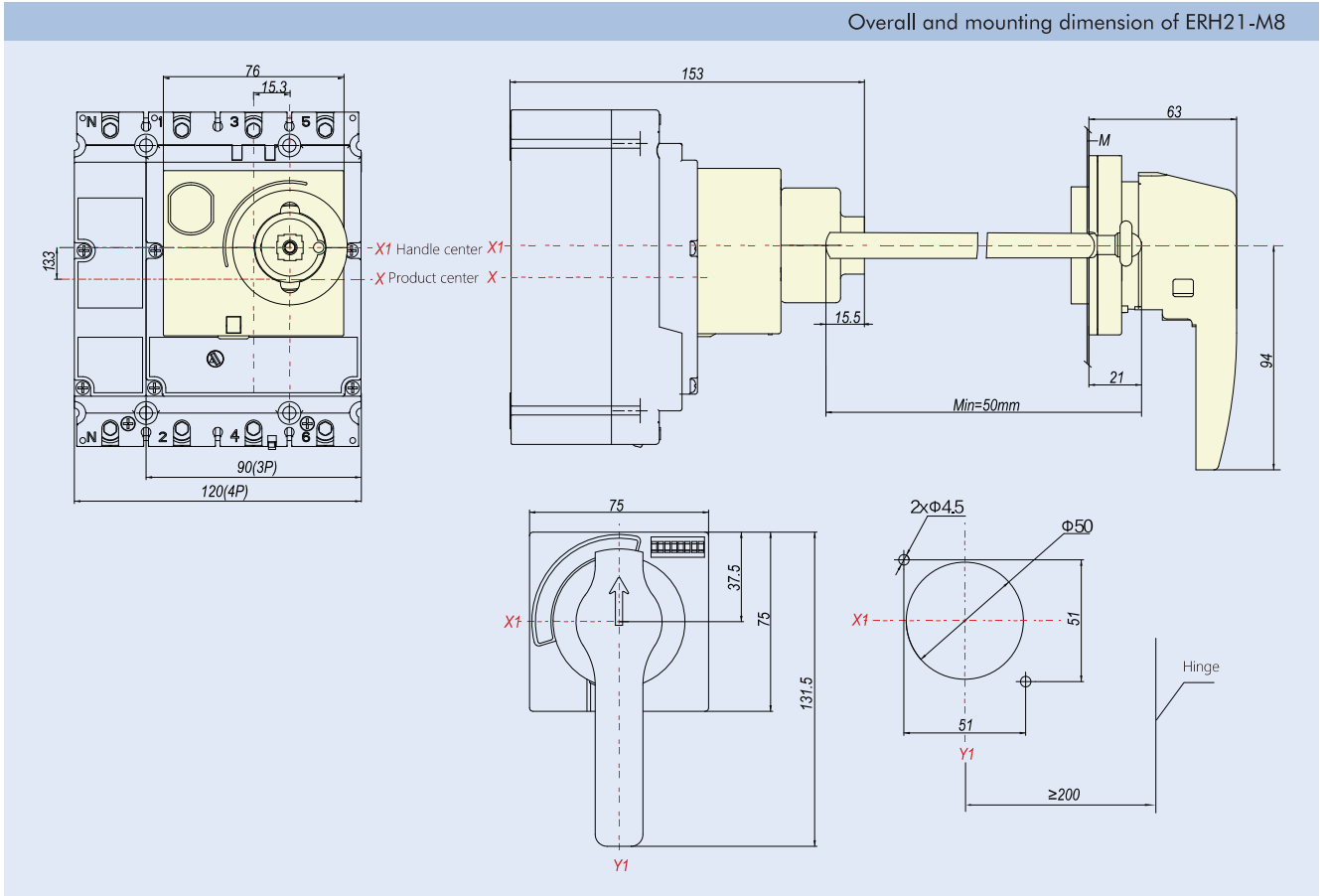
#### 9.8.2 Model description

DRH 21- M8 T

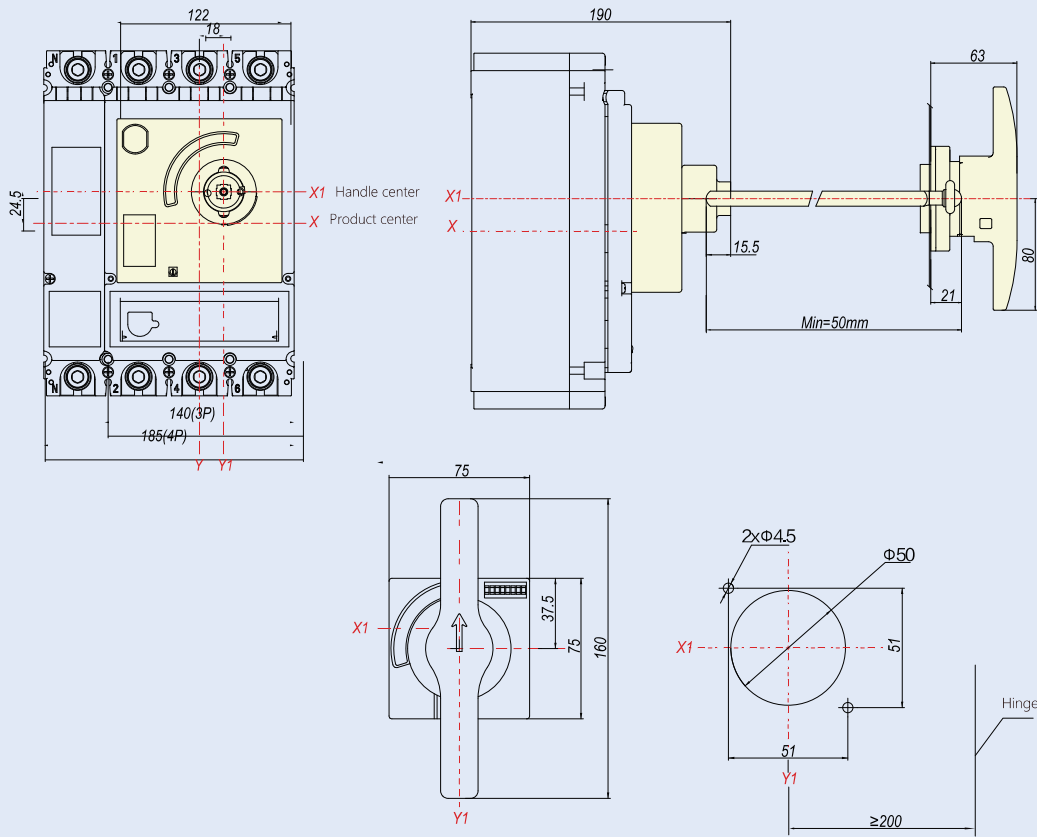


Note: default length of shaft is 500mm

9.8.3 Installation dimension drawing



Overall and mounting dimension of ERH23-M8



### 9.9 LHD Extended handle

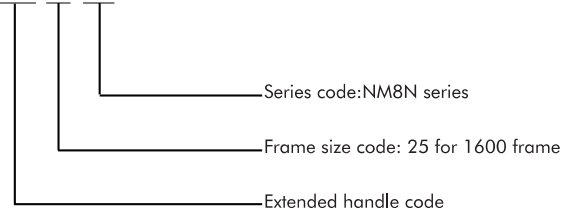
#### 9.9.1 Function

With a unique design, the circuit breaker can be closed, opened and re-latched by rotating the handle. It is only applicable to 1600A.

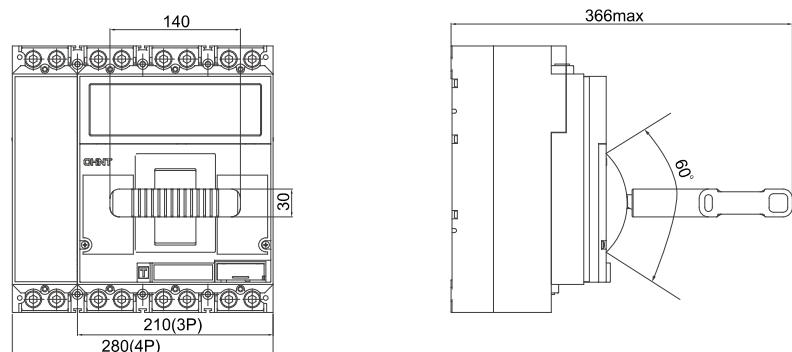
#### 9.9.2 Model description



#### LHD 25- M8



#### 9.9.3 Overall dimension





### 9.10 KLK Locking system

#### 9.10.1 Function

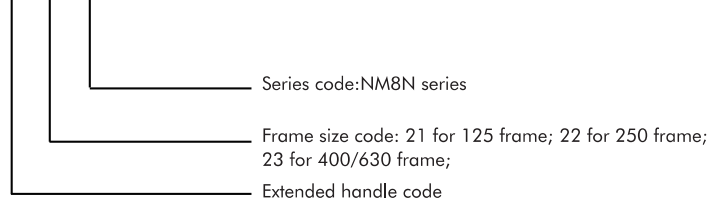
The locking system locks the open position of the circuit breaker.

- The locking system can be equipped with (1~3) padlocks with a diameter range (5~8) mm.
- (Padlock user prepared)



#### 9.10.2 Model description

KLK 21- M8



### 9.11 MIT Mechanical interlock

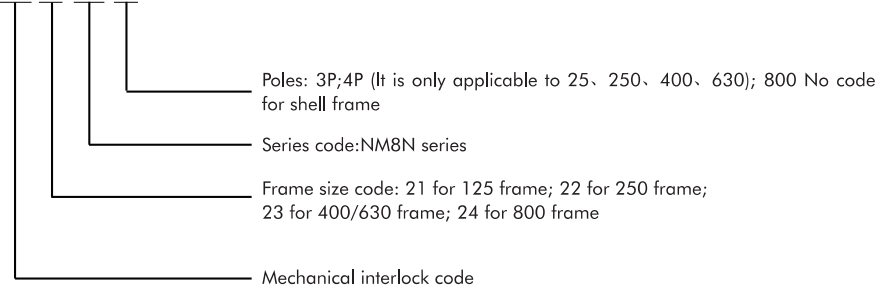
#### 9.11.1 Function

When used together with two circuit breakers with the same housing, when one circuit breaker is closed, the other circuit breaker cannot be closed and is in the open state.



#### 9.11.2 Model description

MIT 21- M8 3P



### 9.12 TCV Short terminal cover

#### 9.12.1 Function

Prevents contact with the main circuit and can also be used to prevent short circuit between phases.

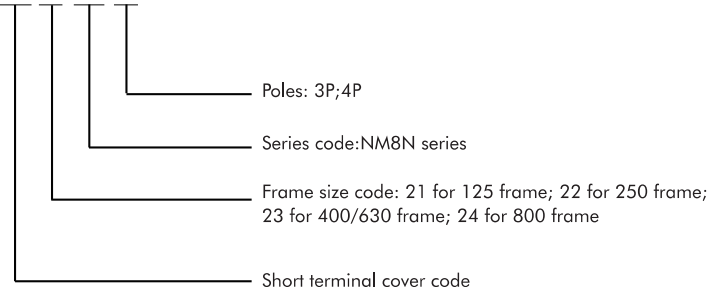
Protection degree: IP40

For voltages  $\geq 500V$ , terminal covers must be fitted



#### 9.12.2 Model description

TCV 21- M8 3P







### 9.13 TCE Long terminal cover

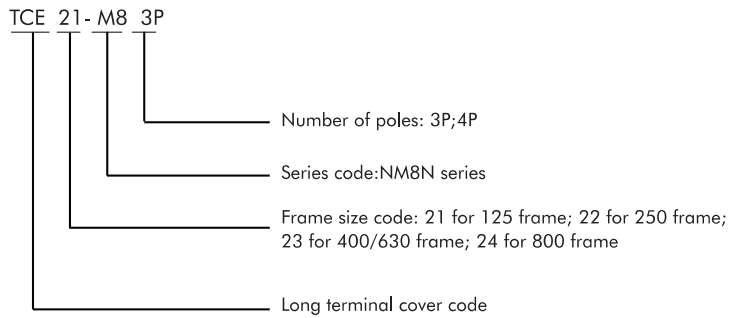
#### 9.13.1 Function

Prevents contact with the main circuit and can also be used to prevent short circuit between phases. There are knock-out holes in front of the terminal cover to accommodate various lug cables and front wiring.

Protection degree: IP40

For voltages  $\geq 500V$ , terminal covers must be fitted

#### 9.13.2 Model description

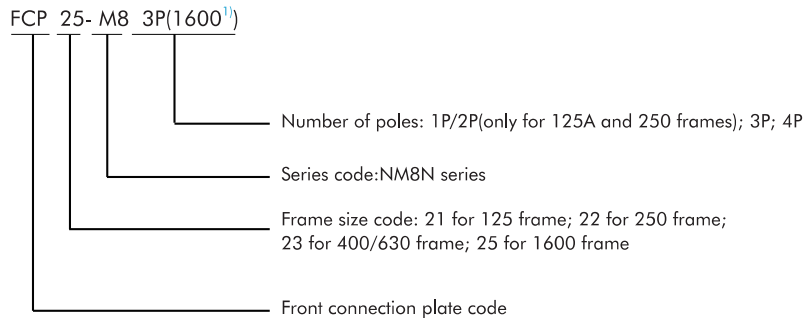


### 9.14 FCP Front connection plate

#### 9.14.1 Function

Make the circuit breaker have a flexible wiring mode.By installing this accessory, the pole spacing can be increased to increase the electrical gap between adjacent poles at the inlet and outlet ends of the circuit breaker and enhance the safety between lines.

#### 9.14.2 Model description



**Note<sup>1)</sup>:** Only applicable to 1600 frame, there are three specifications of 1000, 1250, 1600.

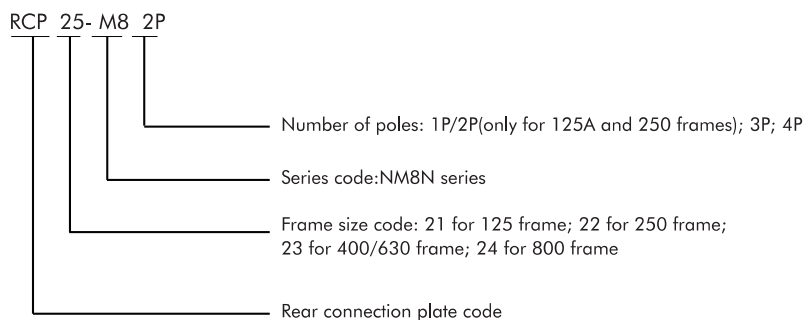


### 9.15 RCP Rear connection plate

#### 9.15.1 Function

Make the circuit breaker have flexible wiring mode, Which can realize the wiring behind the board.

#### 9.15.2 Model description





9.16 CCT Cage clamp terminal

9.16.1 Function

Make the circuit breaker have a flexible wiring mode, which can directly connect the bare wires.

9.16.2 Model description

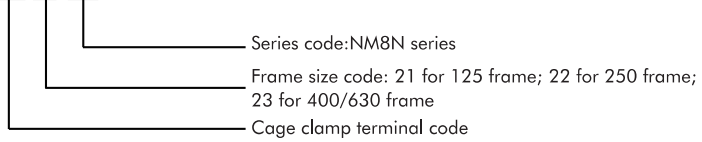


CCT21/22-M8



CCT23-M8

CCT 21- M8



9.16.3 Wiring capacity

Serial No.	Wiring capacity	Terque
CCT21-M8	(2.5~75)mm <sup>2</sup>	8N·m
CCT22-M8	(10~120)mm <sup>2</sup>	10N·m
CCT23-M8	(120~240)mm <sup>2</sup>	35N·m

9.17 MC Cable connector

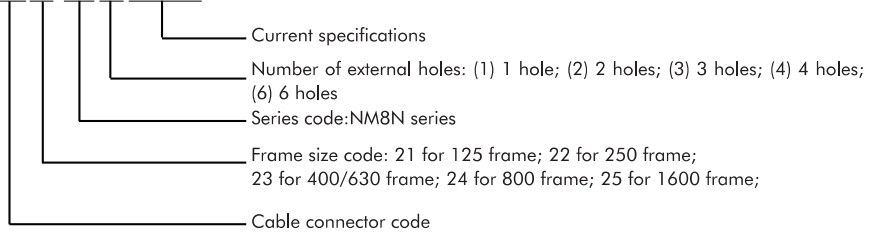
9.17.1 Function

Make the circuit breaker have a flexible wiring method, which can directly connect the bare wires and realize the connection of multiple.

9.17.2 Model description



MC 25- M8(3) (1250<sup>1)</sup>)



Note<sup>1)</sup>: Only applicable to 1600 housing, only 800-1250 specifications.

9.17.3 Wiring capacity

Serial No.	Wiring capacity	Torgue	Note
MC21-M8 (1)	(16~95)mm <sup>2</sup>	10N·m	1 hole
MC22-M8 (1)	(35~240)mm <sup>2</sup>	30N·m	1 hole
MC22-M8 (2)	2×(35~120)mm <sup>2</sup>	30N·m	2 holes
MC22-M8 (6)	6×(10~35)mm <sup>2</sup>	10N·m	6 holes
MC23-M8 (2)	2×(120~240)mm <sup>2</sup>	35N·m	2 holes
MC23-M8 (4)	4×95mm <sup>2</sup>	15N·m	4 holes
MC24-M8 (2)	2×240mm <sup>2</sup>	35N·m	2 holes
MC25-M8(800) (3)	3×(95~300)mm <sup>2</sup>	35N·m	3 holes
MC25-M8(1000/1250) (4)	4×(95~240)mm <sup>2</sup>	35N·m	4 holes

9.18 PIA Plug-in base

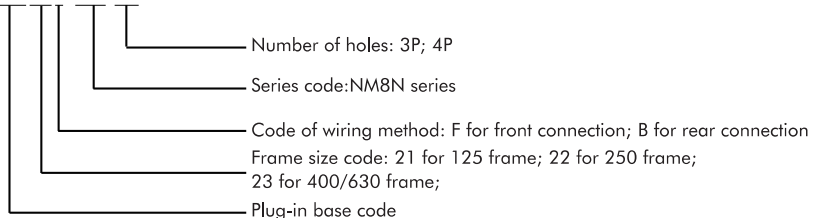
9.18.1 Function

- Quickly change the circuit breaker without changing the inlet and outlet wires and installing the base;
- Plug-in base can be pre-installed, which is convenient for customers to add circuit breakers in the future;
- When the circuit breaker is installed through the board or the base, the power circuit can be isolated;
- With plug-in safety device function (optional), it can ensure that the circuit breaker can trip automatically when it is pulled out when the circuit breaker is closed.



9.18.2 Model description

PIA 21F- M8 3P





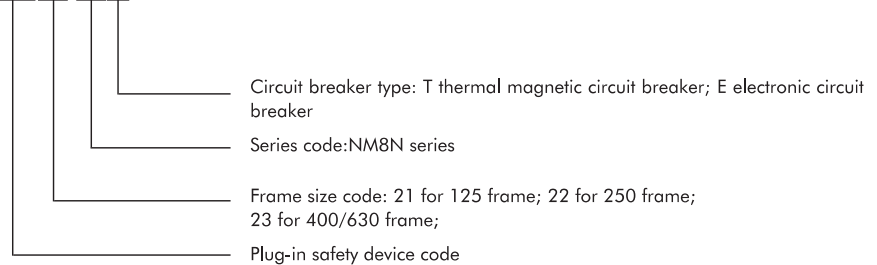
## 9.19 PISD plug-in safety device

### 9.19.1 Function

Used together with the plug-in base, it can ensure that the circuit breaker can automatically trip when it is pulled out when the circuit breaker is closed.

### 9.19.2 Model description

PISD 21-M8 T



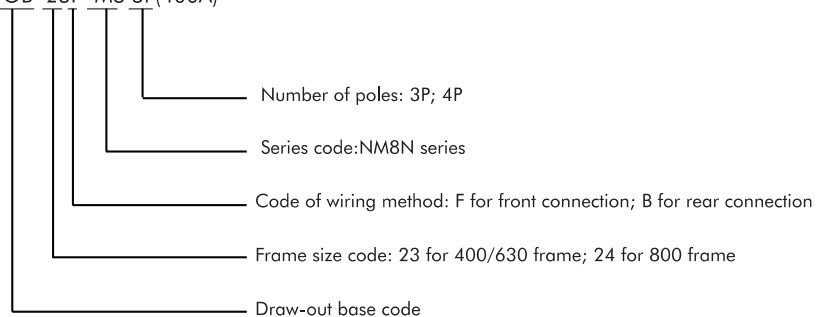
## 9.20 DOB Draw-out base

### 9.20.1 Function

- Quickly change the circuit breaker without changing the inlet and outlet wires and installing the base;
- Withdrawable base can be installed in advance to provide convenience for customers to add circuit breakers later;
- With plug-in safety device function (optional), it can ensure that the circuit breaker can automatically trip when it is pulled out when the circuit breaker is closed.

### 9.20.2 Model description

DOB 23F- M8 3P(400A)<sup>1)</sup>



Note<sup>1)</sup>: DOB23 is suitable for 400/630 housings. There are two specifications of 400 and 630.

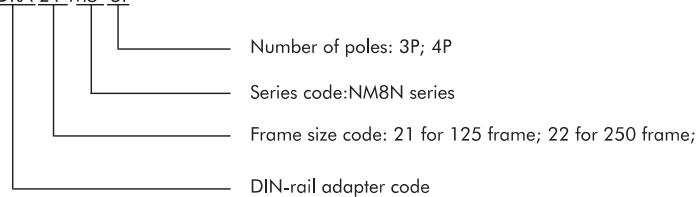
## 9.21 DRA DIN-rail adapter

### 9.21.1 Function

Adapt to the body and can be mounted on a 35mm standard DIN rail.

### 9.21.2 Model description

DRA 21-M8 3P





### 9.22 PIA Plug-in base

#### 9.22.1 Function

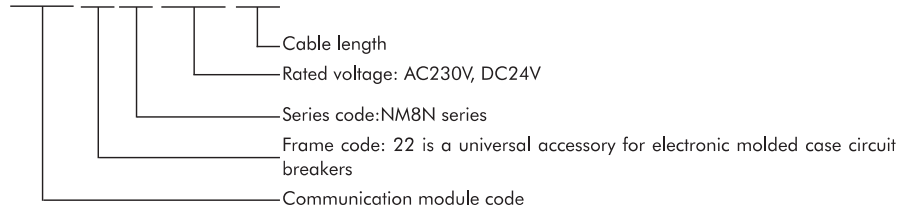
The COMA communication module is an interface module for the communication between the electronic plastic case circuit breaker and the bus system, and performs communication and relay control output. Combined with the Modbus-RTU communication protocol, this communication module can easily establish a connection with a fieldbus master device to achieve three remote or four remote functions.

The technical parameters are as follows:

- Rated voltage: AC230V or DC24V (error range  $\pm 15\%$ )
- Communication type: RS485 (Modbus-RTU protocol)
- Contact capacity: AC250V / 3A; DC30V / 3A
- Transmission distance: shielded twisted pair
- Transmission distance: 1.2km (using category A shielded twisted pair)
- Working status indication: LED indication
- Number of stations: 1 station

#### 9.22.2 Model description

COMA 22- M8 DC24V 0.5m



#### 9.22.3 Communication solution

Solutions	Achievable function	Required products and accessories	Note
Solution 1	Remote measure	NM8N basic or standard electronic molded case circuit breaker; COMA22-M8 communication module.	1. Read phase current
Solution 2	Remote measure Remote signal	NM8N basic or standard electronic moulded case circuit breaker; COMA22-M8 communication module; AX auxiliary contact (optional, indicating opening and closing status); AL alarm contact (optional, indicating trip status).	1. Read phase current 2. Indicate circuit breaker position information (open, closed, trip status)
Solution 3	Remote measure Remote signal Remote control	NM8N basic or standard electronic moulded case circuit breaker; COMA22-M8 communication module; AX auxiliary contact (optional, indicating opening and closing status); AL alarm contact (optional, indicating trip status); MOD electric operation mechanism.	1. Read phase current 2. Indicate circuit breaker position information (open, closed, trip status) 3. Control circuit breaker opening and closing
Solution 4	Remote measure Remote signal Remote control Remote adjustment	NM8N standard electronic molded case circuit breaker; COMA22-M8 communication module; AX auxiliary contact (optional, indicating opening and closing status); AL alarm contact (optional, indicating trip status); MOD electric operation mechanism.	1. Read phase current 2. Indicate circuit breaker position information (open, closed, trip status) 3. Control circuit breaker opening and closing 4. Adjust the internal parameter settings of the controller (only for standard specifications. For details, please refer to the communication protocol).



### 9.23 PSU battery box

#### 9.23.1 Function

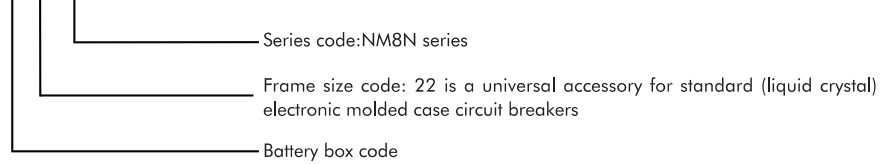
Provide DC 9V power for the standard (liquid crystal) controller for users to view, set and modify controller parameters, when current under 0.4In. The batteries inside box are changeable.

Output voltage: DC 9V

Continuous power supply time: 7 hours

#### 9.23.2 Model description

PSU 22-M8



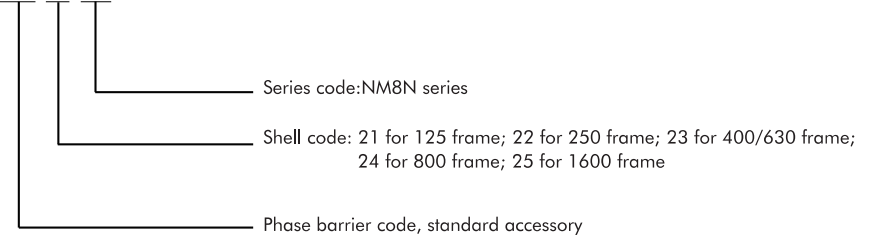
### 9.24 PSU battery box

#### 9.24.1 Function

Guarantees phase-to-phase insulation safety and prevents phase-to-phase short circuit.

#### 9.24.2 Model description

PHS 21-M8



9.25 Installation diagram of internal accessories

Accessory name	Mounting and wiring mode				
	NM8N-125, 250 NM8NL-125, 250	NM8N-400, 630 NM8NL-400, 630	NM8N-800	NM8N-1600	NM8N-1600 MOD
3P, 4P	3P, 4P	3P, 4P	3P, 4P	3P, 4P	
No accessory					
Alarm contact					
Auxiliary contact					
Shunt release					
Under-voltage release					
Shunt release Auxiliary contact					
Auxiliary contact Under-voltage release					
Shunt release Alarm contact					
Auxiliary contact Alarm contact					
Under-voltage release Alarm contact					
Shunt release Auxiliary contact, alarm					
Auxiliary contact alarm contact Under-voltage release					

■-Shunt release ▲-Under-voltage release ○-Auxiliary contact ●-Alarm contact

Note: a. NM8N-125, 250, 400, 630, 800 cannot be equipped with undervoltage release and shunt release at the same time;

b. NM8N-125, 250 3P/4P can be equipped with a maximum of 2 sets of auxiliary contacts; 1P has no internal accessories; 2P can be equipped with a maximum of one auxiliary / alarm contact at the same time;

c. NM8N-400, 630 can install up to 3 sets of auxiliary contacts;

d. NM8N-800 can be equipped with up to 4 auxiliary contacts;

e. NM8N-1600 MOD can be equipped with a maximum of 3 sets of auxiliary contacts, and can simultaneously install undervoltage release and shunt release;

f. NM8N series can only be equipped with one alarm contact.



## 10. Technical Supplement

### 10.1 DC application wiring method

Solutions	Unipolar grounding system	Ungrounded system												
Circuit diagram														
Impact of fault	<table border="1" data-bbox="427 689 746 875"> <tr> <td>Fault A</td> <td>maximum short-circuit current <math>I_{sc}</math></td> </tr> <tr> <td>Fault B</td> <td>maximum short-circuit current <math>I_{sc}</math></td> </tr> <tr> <td>Fault C</td> <td>has no effect</td> </tr> </table>	Fault A	maximum short-circuit current $I_{sc}$	Fault B	maximum short-circuit current $I_{sc}$	Fault C	has no effect	<table border="1" data-bbox="1002 689 1321 875"> <tr> <td>Fault A</td> <td>has no effect</td> </tr> <tr> <td>Fault B</td> <td>maximum short-circuit current <math>I_{sc}</math></td> </tr> <tr> <td>Fault C</td> <td>has no effect</td> </tr> </table>	Fault A	has no effect	Fault B	maximum short-circuit current $I_{sc}$	Fault C	has no effect
Fault A	maximum short-circuit current $I_{sc}$													
Fault B	maximum short-circuit current $I_{sc}$													
Fault C	has no effect													
Fault A	has no effect													
Fault B	maximum short-circuit current $I_{sc}$													
Fault C	has no effect													
≤DC500V	<p data-bbox="344 1122 834 1189"><b>Note:</b> 1. The upper and lower lines can be used, here the following lines are taken as an example.</p>	<p data-bbox="919 1122 1409 1234"><b>Note:</b> 1. Both the upper and lower lines can be used, here the following lines are taken as an example; 2. Make sure that the installation method does not cause a secondary ground fault.</p>												
DC500~750V	<p data-bbox="344 1491 834 1559"><b>Note:</b> 1. The upper and lower lines can be used, here the following lines are taken as an example.</p>	<p data-bbox="919 1491 1409 1603"><b>Note:</b> 1. Both the upper and lower lines can be used, here the following lines are taken as an example; 2. Make sure that the installation method does not cause a secondary ground fault.</p>												
DC750~1000V	<p data-bbox="344 2051 834 2119"><b>Note:</b> 1. The upper and lower lines can be used, here the following lines are taken as an example.</p>													



10.2 NM8N power loss table

Release type	Model	Rated current (A)	Fixed circuit breaker resistance loss per pole mΩ	Power loss per pole (W)	
Thermal magnetic	NM8N-125	16	8.8	2.3	
		20	8.8	3.5	
		25	5.2	3.3	
		32	4.5	4.6	
		40	2.6	4.2	
		50	1.8	4.5	
		63	1.7	6.7	
		80	1.3	8.3	
		100	0.88	8.8	
		125	0.8	12.5	
		NM8N-250	125	0.7	10.9
	160		0.55	14.1	
	180		0.55	17.8	
	200		0.55	22.0	
	225		0.4	20.3	
	250		0.4	25.0	
	NM8N-400		250	0.35	21.9
			315	0.25	24.8
			350	0.25	30.6
			400	0.15	24.0
	NM8N-630	400	0.15	24.0	
		500	0.12	30.0	
	NM8N-800	500	0.08	20.0	
		630	0.08	31.8	
		700	0.08	39.2	
		800	0.08	51.2	
	NM8N-1600	800	0.08	51.2	
		1000	0.08	80.0	
1250		0.04	62.5		
1600		0.04	102.4		
Electronic	NM8N-250	32	0.8	0.8	
		63	0.4	1.6	
		100	0.4	4.0	
		160	0.4	10.2	
		250	0.4	25.0	
	NM8N-400	250	0.15	9.4	
		400	0.15	24.0	
	NM8N-630	400	0.15	24.0	
		630	0.12	47.6	
	NM8N-800	800	0.08	51.2	
	NM8N-1600	800	0.08	51.2	
		1000	0.08	80.0	
		1250	0.04	62.5	
1600		0.04	102.4		
Switch disconnecter	NM8NSD-125	63	0.8	3.2	
		100	0.8	8.0	
		125	0.8	12.5	
	NM8NSD-250	125	0.4	6.3	
		160	0.4	10.2	
		200	0.4	16.0	
		250	0.4	25.0	
	NM8NSD-400	250	0.15	9.4	
		400	0.15	24.0	
	NM8NSD-630	630	0.12	47.6	
	NM8NSD-800	800	0.08	51.2	



10.3 NM8N thermal magnetic circuit breaker rated operational current and temperature compensation coefficient table

Rated current		Ambient temperature													
		-40°C	-35°C	-25°C	-15°C	-5°C	0°C	+10°C	+20°C	+30°C	+40°C	+50°C	+60°C	+70°C	
NM8N-125	16A	22.5	22	20.5	20	19.5	19	18.5	17.5	17	16	15	14.5	14	
	20A	28	27.5	26.5	25.5	24.5	24	23	22	21	20	19.5	18.5	18	
	25A	35	34	33	32	30.5	30	28	27	26	25	24	22.5	22	
	32A	45	44	42	41	39	38	37	35	33	32	30.5	29	28	
	40A	56	55	53	51	49	48	46	44	42	40	37	33.5	29	
	50A	70	68.5	66	64	61	60	57.5	55	52.5	50	47.5	45	40	
	63A	88	86.5	83	80	77	75	72	69	66	63	58.5	53	46	
	80A	112	110	106	102	98	96	92	88	84	80	74.5	67	56	
	100A	140	137	132	127	122	120	115	110	105	100	93	84	80	
	125A	175	172	165	159	153	150	144	137	131	125	116	105	91	
NM8N-250	125A	175	172	165	159	153	150	144	137	131	125	118	106	96	
	160A	224	220	212	204	196	192	184	176	168	160	152	136	120	
	180A	252	247	238	229	220	216	207	198	189	180	171	157	144	
	200A	280	275	265	255	245	240	230	220	210	200	190	175	166	
	225A	315	309	300	288	276	270	259	247	236	225	213	196	180	
	250A	350	343	332	319	306	300	287	275	262	250	237	218	207	
NM8N-400	250A	350	343	332	319	306	300	287	275	262	250	237	225	212	
	315A	441	433	418	402	386	378	362	346	331	315	300	286	271	
	350A	490	481	465	447	429	420	402	385	367	350	332	295	276	
	400A	560	550	530	510	490	480	460	440	420	400	380	360	320	
NM8N-630	250A	350	343	332	319	306	300	287	275	262	250	237	225	212	
	315A	441	433	418	402	386	378	362	346	331	315	300	286	271	
	350A	490	481	465	447	429	420	402	385	367	350	332	295	276	
	400A	560	550	530	510	490	480	460	440	420	400	380	360	320	
	500A	700	687	662	637	612	600	575	550	525	500	450	406	360	
NM8N-800	500A	700	687	662	637	612	600	575	550	525	500	490	460	400	
	630A	882	866	836	804	772	756	724	693	661	630	580	530	490	
	700A	980	962	927	892	857	840	805	770	735	700	670	645	575	
	800A	1120	1100	1060	1020	980	960	920	880	840	800	735	670	625	
NM8N-1600	800A	1120	1100	1060	1020	980	960	960	920	840	800	760	696	640	
	1000A	1400	1375	1325	1275	1225	1200	1200	1150	1050	1000	950	870	800	
	1250A	1750	1718	1656	1594	1531	1500	1500	1437	1312	1250	1187	1088	1000	
	1600A	2240	2200	2120	2040	1960	1920	1960	1760	1680	1600	1520	1390	1280	

Note:<sup>1)</sup> For a multi-pole DC circuit breaker, if a 2m long standard wire is used in series, the derating factor above applies.

<sup>2)</sup> When the copper short-circuit bar is connected in series, it needs to be further reduced based on the above table (except NM8NDC-1600). The specific derating factor should be determined by users according to their different wiring methods. Derating by a factor of 0.8.

10.4 NM8N electronic circuit breaker rated operational current and temperature compensation coefficient table

Rated current		Ambient temperature										
		-25°C	-15°C	-5°C	0°C	+10°C	+20°C	+30°C	+40°C	+50°C	+60°C	+70°C
NM8N-250	32A	32	32	32	32	32	32	32	32	32	32	32
	63A	63	63	63	63	63	63	63	63	63	63	63
	100A	100	100	100	100	100	100	100	100	100	100	100
	160A	160	160	160	160	160	160	160	160	160	160	160
	250A	250	250	250	250	250	250	250	250	240	225	213
NM8N-400	250A	250	250	250	250	250	250	250	250	250	250	250
	400A	400	400	400	400	400	400	400	400	380	360	340
NM8N-630	250A	250	250	250	250	250	250	250	250	250	250	250
	400A	400	400	400	400	400	400	400	400	380	360	340
	630A	630	630	630	630	630	630	630	630	600	570	540
NM8N-800	630A	630	630	630	630	630	630	630	630	630	630	630
	800A	800	800	800	800	800	800	800	800	760	720	680
NM8N-1600	800A	800	800	800	800	800	800	800	800	800	800	800
	1000A	1000	1000	1000	1000	1000	1000	1000	1000	1000	1000	1000
	1250A	1250	1250	1250	1250	1250	1250	1250	1250	1250	1250	1250
	1600A	1600	1600	1600	1600	1600	1600	1600	1600	1520	1440	1360

**Note:** Individual specifications of products need to be derated at a temperature of 50°C and above (parameters refer to the table), I<sub>r</sub> needs to be adjusted to the corresponding gear.

**For example:** NM8N-250 EN 250 3P products are used at 70°C . The product needs to be derated to 213A, and the I<sub>r</sub> position is adjusted to 0.8I<sub>n</sub> position. The NM8N-250 EM 250 3P product is used at 70°C . The product should be derated to 213A, and the I<sub>r</sub> position should be adjusted to 213A.

10.5 Derating factor table for circuit breaker with residual current protection module

Model	Derating factor	
NM8N-125+NM8NL-125	16A~63A	1
	80A~100A	0.9
	125A	0.8
NM8N-250+NM8NL-250	125A~180A	1
	200A~250A	0.9
NM8N-250+NM8NL-250 electronic type	32A、63A、100A、160A	1
	250A	0.95
NM8N-400+NM8NL-400	250A	1
	315A、350A	0.96
	400A	0.93
NM8N-400+NM8NL-400 electronic type	250A	1
	400A	0.95
NM8N-630+NM8NL-630	400A	0.93
	500A	0.87
NM8N-630+NM8NL-630 electronic type	400A~500A	1
	630A	0.90



10.6 Derating factor table for circuit breakers with plug-in or draw-out accessories

Model		Derating factor	
		+Plug-in type	+Economic draw-out type
NM8N-125	16A-100A	1	/
	125A	0.95	/
NM8N-250	125A-180A	1	/
	200A-250A	0.95	/
NM8N-250 electronic type	32A, 63A, 100A, 160A	1	/
	250A	0.95	/
NM8N-400	250A-400A	1	1
NM8N-400 electronic type	250A-400A	1	1
NM8N-630	400A	1	1
	500A	0.95	1
NM8N-630 electronic type	400A-500A	1	1
	630A	0.9	0.9
NM8N-800	500-700A	/	0.95
	800A	/	0.9
NM8N-800 electronic type	630A	/	1
	800A	/	0.9

10.7 NM8N Derating factor table for circuit breakers altitude

Altitude (m)		2000m	3000m	4000m	5000m	
Rated operational current $I_n$		$1 \times I_n$	$0.96 \times I_n$	$0.93 \times I_n$	$0.9 \times I_n$	
Rated operational voltage $U_e$ (V)	AC	690	550	480	420	
	DC (4pole string)	1000	900	850	800	
Rated insulation voltage $U_i$ (V)		1000	930	870	800	
Dielectric properties (V)	AC	$U_{imp} = 8kV$	2200	2050	1900	1770
		$U_{imp} = 12kV$	2550	2370	2200	2050
	DC	$U_{imp} = 8kV$	3110	2892	2705	2488
		$U_{imp} = 12kV$	3600	3350	3110	2985
Rated insulation impulse voltage $U_{imp}$ (kV)	NM8N-125	8	8	8	8	
	NM8N-250					
	NM8N-1600					
	NM8N-400	12	10	8	8	
	NM8N-630					
NM8N-800						

10.8 Cascading (AC220/230/240V)

Upstream	NM8N-125					NM8N-250					NM8N-400					NM8N-630					NM8N-800															
	C	S	Q	H	R	C	S	Q	H	R	C	S	Q	H	R	C	S	Q	H	R	C	S	Q	H	R											
Breaking capacity (kA rms)	36	50	70	100	150	36	50	70	100	150	36	50	70	100	150	36	50	70	100	150	36	50	70	100	150											
Downstream	Breaking capacity (kA rms)																																			
NB1N	25	30	40	60	60	25	30	40	60	60	—	—	—	—	—	—	—	—	—	—	—	—	—	—	—											
NB1H	30	40	50	65	65	30	40	50	65	65	—	—	—	—	—	—	—	—	—	—	—	—	—	—	—											
NM8N-125C		50	60	80	100		50	60	80	100		50	60	80	100		50	60	80	100		50	60	80	100											
NM8N125S			70	90	120			70	90	120			70	90	120			70	90	120			70	90	120											
NM8N-125Q				90	140				90	140				90	140				90	140				90	140											
NM8N-125H					150				60	150					150					150					150											
NM8N-250C							50	70	80	100		50	60	80	100		50	60	80	100		50	60	80	100											
NM8N-250S									90	120				70	90	120				70	90	120				70	90	120								
NM8N-250Q									90	140				90	140				90	140				90	140				90	140						
NM8N-250H										150					150					150					150					150						
NM8N-400C												50	60	80	100		50	60	80	100		50	60	80	100		50	60	80	100						
NM8N-400S														70	90	120				70	90	120				70	90	120				70	90	120		
NM8N-400Q															90	140					90	140					90	140				90	140			
NM8N-400H																150						150						150					150			
NM8N-630C																	50	60	80	100		50	60	80	100		50	60	80	100		50	60	80	100	
NM8N-630S																			70	90	120				70	90	120				70	90	120			
NM8N-630Q																				90	140					90	140				90	140				
NM8N-630H																					150						150					150				
NM8N-800C																							50	60	80	100		50	60	80	100		50	60	80	100
NM8N-800S																									70	90	120				70	90	120			
NM8N-800Q																										90	140				90	140				
NM8N-800H																											150					150				



10.9 Cascading (AC380/400/415V)

Upstream	NM8N-125					NM8N-250					NM8N-400					NM8N-630					NM8N-800				
Breaking capacity (kA rms)	C	S	Q	H	R	C	S	Q	H	R	C	S	Q	H	R	C	S	Q	H	R	C	S	Q	H	R
	36	50	70	100	150	36	50	70	100	150	36	50	70	100	150	36	50	70	100	150	36	50	70	100	150
Downstream	Breaking capacity (kA rms)																								
NB1N	20	25	25	25	25	20	25	25	25	25	—	—	—	—	—	—	—	—	—	—	—	—	—	—	—
NB1H	30	30	30	30	30	30	30	30	30	30	—	—	—	—	—	—	—	—	—	—	—	—	—	—	—
NM8N-125C		50	50	80	100		50	50	80	100		50	50	80	100		50	50	80	100		50	50	80	100
NM8N125S			70	90	120			70	90	120			70	90	120			70	90	120			70	90	120
NM8N-125Q				90	140				90	140				90	140				90	140				90	140
NM8N-125H					150					150					150					150					150
NM8N-250C							50	50	80	100		50	50	80	100		50	50	80	100		50	50	80	100
NM8N-250S								70	90	120			70	90	120			70	90	120			70	90	120
NM8N-250Q									90	140				90	140				90	140				90	140
NM8N-250H										150					150					150					150
NM8N-400C												50	50	80	100		50	50	80	100		50	50	80	100
NM8N-400S													70	90	120			70	90	120			70	90	120
NM8N-400Q														90	140				90	140				90	140
NM8N-400H															150					150					150
NM8N-630C																	50	50	80	100		50	50	80	100
NM8N-630S																		70	90	120			70	90	120
NM8N-630Q																			90	140				90	140
NM8N-630H																				150					150
NM8N-800C																						50	50	80	100
NM8N-800S																							70	90	120
NM8N-800Q																								90	140
NM8N-800H																									150



10.10 Selective protection

Downstream	Upstream In (A)	NM8N-125										NM8N-250					NM8N-250 Electronic						
		16	20	25	32	40	50	63	80	100	125	125	160	180	200	225	250	32	63	100	160	250	
NB1 Tripping curve:B/C	≤10	190	190	300	400	500	500	500	630	800	1000	T	T	T	T	T	T	400	500	1000	T	T	
	16			300	400	500	500	500	630	800	1000	T	T	T	T	T	T	400	500	1000	T	T	
	20					500	500	500	630	800	1000	T	T	T	T	T	T		500	1000	T	T	
	25						500	500	630	800	1000	T	T	T	T	T	T		500	1000	T	T	
	32							500	630	800	1000	2000	5000	T	T	T	T		500	1000	T	T	
	40								630	800	1000	2000	5000	T	T	T	T			1000	T	T	
	50									800	1000	2000	5000	T	T	T	T			1000	T	T	
	63										1000	2000	5000	T	T	T	T			1000	T	T	
NM8N-125	16					400	500	500	630	800	1000	1000	2500	2500	2500	2500	2800		500	1000	2500	2800	
	50						500	500	630	800	1000	1000	2500	2500	2500	2500	2800		500	1000	2500	2800	
	25							500	630	800	1000	1000	2500	2500	2500	2500	2800		500	1000	2500	2800	
	32								630	800	1000	1000	2500	2500	2500	2500	2800			1000	2500	2800	
	40									800	1000	1000	2000	2000	2500	2500	2800			1000	2000	2800	
	50										1000	1000	2000	2000	2500	2500	2800			1000	2000	2800	
	63											1000	2000	2000	2500	2500	2800				2000	2800	
	80												2000	2000	2500	2500	2800				2000	2800	
100														2500	2500	2800					2800		
125															2500	2800						2800	
NM8N-250	125																						
	160																						
	180																						
	200																						
	225																						
	250																						
NM8N-250 Electronic	32																			1000	2000	2800	
	63																				2000	2800	
	100																					2800	
	160																						
	250																						
NM8N-400	250																						
	315																						
	350																						
	400																						
NM8N-400 Electronic	250																						
	400																						
NM8N-630	250																						
	315																						
	350																						
	400																						
	500																						
NM8N-630 Electronic	250																						
	400																						
	630																						

Note: <sup>1)</sup> No content, meaning no selectivity.

<sup>2)</sup> 1000, which indicates local selectivity, and the number indicates the maximum fault current to achieve selectivity. For example, selectivity below 1000A can be achieved here, and upper and lower circuit breakers above 1000A may operate simultaneously.

<sup>2)</sup> T, which means that full selectivity is satisfied within the breaking capacity of the lower circuit breaker.





## 11. Ordering notice

### 11.1 Quick selection of circuit breaker

#### 11.1.1 Quick selection of power distribution and motor protection circuit breakers<sup>1</sup>

Circuit breaker	Frame current(A)	Breaking code	Release type	Rated current(A)		Poles	Special requirement
NM8N moulded case circuit breaker	125 250 400 630 800	C : 36kA S : 50kA Q : 70kA H : 100kA R : 150kA	M: Magnetic for motor protection TM: Thermal Magnetic for Distribution Protection EN: Electronic Basic for Distribution Protection EM: Electronic Standard for Distribution Protection ENM: Electronic Standard for Motor Protection	TM/M	EN/EM/ENM/EMM	1P : One pole 2P : Two-pole 3P : Three-pole 4B : Four-pole <sup>2)</sup> 4C : Four-pole <sup>2)</sup>	
				125 : 16, 20, 25, 32, 40, 50, 63, 80, 100, 125	—		
				250 : 125, 160, 180, 200, 225, 250	250 : 32, 63, 100, 160, 250		
				400 : 250, 315, 350, 400	400 : 250, 400		
				630 : 400, 500	630 : 400, 630		
				800 : 500, 630, 700, 800	800 : 630, 800		
	1600	S : 50kA Q : 70kA H : 100kA	TM: Thermal Magnetic for Distribution Protection EN: Electronic Basic for Distribution Protection EM: Electronic Standard for Distribution Protection	TM/EN/EM		3P : Three-pole 4B : Four-pole <sup>2)</sup> 4C : Four-pole <sup>2)</sup>	MOD DC110 <sup>3)</sup> MOD DC220 <sup>3)</sup> MOD AC230 <sup>3)</sup> MOD AC400 <sup>3)</sup>
				1600 : 800, 1000, 1250, 1600			

**Note:** <sup>1)</sup> For customer needs beyond the technical requirements of the sample, you can contact the company's sales department or technical department as a special order processing; The body and accessories should be written separately when ordering. If the user requires the factory to assemble the body and accessories, it must be specified when ordering, otherwise the factory will ship separately; Motor protection is only applicable to 3P / 4P;

<sup>2)</sup> 4B: Neutral poles without protection, can be operated with other three poles;

<sup>3)</sup> 4C: Neutral poles with protection, can be operated with other three poles.

<sup>3)</sup> Only NM8N-1600 has motor type



11.1.2 Quick selection of DC circuit breaker

NM8N

DC	-	250	S	TM	125	2P	OTHER
↓	↓	↓	↓	↓	↓	↓	↓
Current type	Frame current(A)	Breaking code	Release type	Rated current(A)	Poles	Special requirement	
DC : Direct current	125 250 400 630 800	B : 25kA C : 36kA S : 50kA Q : 70kA H : 100kA	TM: Thermal Magnetic for Distribution Protection	125 : 16, 20, 25, 32, 40, 50, 63, 80, 100, 125  250 : 125, 160, 180, 200, 225, 250  400 : 250, 315 350, 400  630 : 400, 500  800 : 500, 630 700, 800	1P : One pole <sup>1)</sup> 2P : Two-pole <sup>1)</sup> 3P : Three-pole 4P : Four-pole		
	1600	B : 25kA C : 36kA	TM: Thermal Magnetic for Distribution Protection	1600 : 800, 1000, 1250, 1600	3P : Three-pole 4P : Four-pole		

Note: <sup>1)</sup> 1P / 2P is limited to 125 and 250 frame products.

11.1.3 Quick selection of switch disconnecter

NM8N

SD	-	250	AC	125	2P	OTHER
↓		↓	↓	↓	↓	↓
Switch disconnecter		Frame current(A)	Release type	Rated current(A)	Poles	Special requirement
SD : Switch disconnecter		125 250 400 630 800	AC: Alternating current DC: Direct current	125 : Default 250 : Default 400 : Default 800 : Default 1600 : 800, 1000,1250, 1600	2P : Two-pole <sup>1)</sup> 3P : Three-pole 4P : Four-pole	

Note: <sup>1)</sup> 2P is only for 125 and 250 frame products.

Note

Area with horizontal dashed lines for taking notes.



11.2 NM8N accessory models selection table

Accessory type	Code	Specification	NM8N-125	NM8N-250
Auxiliary contact	AX	Universal	AX21-M8	
		Neutral	AX21-M8 N	
Alarm contact	AL	Universal	AL21-M8	
		Neutral	AL21-M8 N	
Shunt release	SHT	AC48V	SHT21-M8 AC48V	SHT22-M8 AC48V
		AC110V	SHT21-M8 AC110V	SHT22-M8 AC110V
		AC220-240V	SHT21-M8 AC220-240V	SHT22-M8 AC220-240V
		AC380-415V	SHT21-M8 AC380-415V	SHT22-M8 AC380-415V
		DC24V	SHT21-M8 DC24V	SHT22-M8 DC24V
		DC220V	SHT21-M8 DC220V	SHT22-M8 DC220V
Under-voltage release	UVT	AC48V	UVT21-M8 AC48V	UVT22-M8 AC48V
		AC110V	UVT21-M8 AC110V	UVT22-M8 AC110V
		AC220-240V	UVT21-M8 AC220-240V	UVT22-M8 AC220-240V
		AC380-415V	UVT21-M8 AC380-415V	UVT22-M8 AC380-415V
		DC24V	UVT21-M8 DC24V	UVT22-M8 DC24V
		DC48V	UVT21-M8 DC48V	UVT22-M8 DC48V
		DC110-120V	UVT21-M8 DC110-120V	UVT22-M8 DC110-120V
Motor-driven mechanism	MOD	DC220V	UVT21-M8 DC220V	UVT22-M8 DC220V
		AC110/DC110-120V	MOD21-M8 AC110/DC110-120V	MOD22-M8 AC110/DC110-120V
		AC220-240/DC220V	MOD21-M8 AC220-240V/DC220V	MOD22-M8 AC220-240V/DC220V
		AC380-415V	MOD21-M8 AC380-415V	MOD22-M8 AC380-415V
Economic extended rotar handle	SRH	DC24V	MOD21-M8 DC24V	MOD22-M8 DC24V
		3P	SRH21-M8 3P	SRH22-M8 3P
Direct rotary handle	DRH	4P	SRH21-M8 4P	SRH22-M8 4P
		Thermal magnetic (T)	DRH21-M8 T	DRH22-M8 T
Extended rotary handle	ERH	Magnetic (M)	DRH21-M8 M	DRH22-M8 M
		Electronic (E)	/	DRH22-M8 E
		Switch disconnector (SD)	DRH21-M8 M	DRH22-M8 SD
		Thermal magnetic (T)	ERH21-M8 T	ERH22-M8 T
Extended rotary handle	ERH	Magnetic (M)	ERH21-M8 M	ERH22-M8 M
		Electronic (E)	/	ERH22-M8 E
		Switch disconnector (SD)	ERH21-M8 M	ERH22-M8 SD
Extended rotary handle	LHD	3P/4P	/	/
Locking system	KLK		KLK21-M8	KLK22-M8
Mechanical interlock	MIT	3P	MIT21-M8 3P	MIT22-M8 3P
		4P	MIT21-M8 4P	MIT22-M8 4P
Short terminal cover	TCV	3P	TCV21-M8 3P	TCV22-M8 3P
		4P	TCV21-M8 4P	TCV22-M8 4P
Long terminal cover	TCE	3P	TCE21-M8 3P	TCE22-M8 3P
		4P	TCE21-M8 4P	TCE22-M8 4P
Front connection plate	FCP	1P	FCP21-M8 1P	FCP22-M8 1P
		2P	FCP21-M8 2P	FCP22-M8 2P
		3P	FCP21-M8 3P	FCP22-M8 3P
		4P	FCP21-M8 4P	FCP22-M8 4P
Rear connection plate	RCP	1P	RCP21-M8 1P	RCP22-M8 1P
		2P	RCP21-M8 2P	RCP22-M8 2P
		3P	RCP21-M8 3P	RCP22-M8 3P
		4P	RCP21-M8 4P	RCP22-M8 4P
Cage clamp terminal	CCT	1hole	CCT21-M8	CCT22-M8
Cable connector	MC	1hole	MC21-M8(1)	MC22-M8(1)
		2hole	/	MC22-M8(2)
		3hole	/	/
		4hole	/	/
		6hole	/	MC22-M8(6)
Plug-in base	PIA	3P Front connection	PIA21F-M8 3P	PIA22F-M8 3P
		4P Front connection	PIA21F-M8 4P	PIA22F-M8 4P
		3P Rear connection	PIA21B-M8 3P	PIA22B-M8 3P
		4P Rear connection	PIA21B-M8 4P	PIA22B-M8 4P
Plug-in safety device	PISD	Thermal magnetic (T)	PISD21-M8 T	PISD22-M8 T
		Electronic (E)	/	PISD22-M8 E
Draw-out base	DOB	3P Front connection	/	/
		4P Front connection	/	/
		3P Rear connection	/	/
		4P Rear connection	/	/
DIN-rail adapter	DRA	3P	DRA21-M8 3P	DRA22-M8 3P
		4p	DRA21-M8 4P	DRA22-M8 4P
Communication module	COMA	DC24V	/	COMA22-M8 DC24V 0.5m
			/	COMA22-M8 DC24V 1.5m
			/	COMA22-M8 DC24V 3m
		AC230V	/	COMA22-M8 AC230V 0.5m
			/	COMA22-M8 AC230V 1.5m
			/	COMA22-M8 AC230V 3m
Battery box	PSU		/	PSU22-M8
Phase barrier	PHS		PHS21-M8	PHS22-M8

NM8N-400	NM8N-630	NM8N-800	NM8N-1600
AX21-M8			
AX21-M8 N			
AL21-M8			
AL21-M8 N			
SHT22-M8 AC48V		SHT24-M8 AC48V	SHT25-M8 AC48V
SHT22-M8 AC110V		SHT24-M8 AC110V	SHT25-M8 AC110V
SHT22-M8 AC220-240V		SHT24-M8 AC220-240V	SHT25-M8 AC220-240V
SHT22-M8 AC380-415V		SHT24-M8 AC380-415V	SHT25-M8 AC380-415V
SHT22-M8 DC24V		SHT24-M8 DC24V	SHT25-M8 DC24V
SHT22-M8 DC220V		SHT24-M8 DC220V	SHT25-M8 DC220V
UVT22-M8 AC48V		UVT24-M8 AC48V	UVT25-M8 AC48V
UVT22-M8 AC110V		UVT24-M8 AC110V	UVT25-M8 AC110V
UVT22-M8 AC220-415V		UVT24-M8 AC220-240V	UVT25-M8 AC220-240V
UVT22-M8 AC380-415V		UVT24-M8 AC380-415V	UVT25-M8 AC380-415V
UVT22-M8 DC24V		UVT24-M8 DC24V	UVT25-M8 DC24V
UVT22-M8 DC48V		UVT24-M8 DC48V	UVT25-M8 DC48V
UVT22-M8 DC110-120V		UVT24-M8 DC110-120V	UVT25-M8 DC110-120V
UVT22-M8 DC220V		UVT24-M8 DC220V	UVT25-M8 DC220V
MOD23-M8 AC110/DC110-120V		MOD24-M8 AC110/DC110-120V	MOD25-M8 AC110/DC110-120V
MOD23-M8 AC220-240V/DC220V		MOD24-M8 AC220-240V/DC220V	MOD25-M8 AC220-240V/DC220V
MOD23-M8 AC380-415V		MOD24-M8 AC380-415V	MOD25-M8 AC380-415V
MOD23-M8 DC24V		MOD24-M8 DC24V	MOD25-M8 DC24V
SRH23-M8		SRH24-M8	SRH25-M8
DRH23-M8 T		/	/
DRH23-M8 M		/	/
DRH23-M8 E		/	/
DRH23-M8 SD		/	/
ERH23-M8 T		/	/
ERH23-M8 M		/	/
ERH23-M8 E		/	/
ERH23-M8 SD		/	/
/		/	LHD25-M8
KLK23-M8		/	/
MIT23-M8 3P		MIT24-M8	/
MIT23-M8 4P			/
TCV23-M8 3P		TCV24-M8 3P	/
TCV23-M8 4P		TCV24-M8 4P	/
TCE23-M8 3P		TCE24-M8 3P	/
TCE23-M8 4P		TCE24-M8 4P	/
/		/	/
/		/	/
FCP23-M8 3P		/	FCP25-M8 3P
FCP23-M8 4P		/	FCP25-M8 4P
/		/	/
/		/	/
RCP23-M8 3P		RCP24-M8 3P	/
RCP23-M8 4P		RCP24-M8 4P	/
CCT23-M8		/	/
/		/	/
MC23-M8(2)		MC24-M8(2)	/
/		/	MC25-M8(3)(800)
MC23-M8(4)		/	MC25-M8(4)(1000/1250)
/		/	/
PIA23F-M8 3P		/	/
PIA23F-M8 4P		/	/
PIA23B-M8 3P		/	/
PIA23B-M8 4P		/	/
PISD23-M8 T		PISD24-M8 T	/
PISD23-M8 E		PISD24-M8 E	/
DOB23F-M8 3P(400A)	DOB23F-M8 3P(630A)	DOB24F-M8 3P	/
DOB23F-M8 4P(400A)	DOB23F-M8 4P(630A)	DOB24F-M8 4P	/
DOB23B-M8 3P(400A)	DOB23B-M8 3P(630A)	DOB24B-M8 3P	/
DOB23B-M8 4P(400A)	DOB23B-M8 4P(630A)	DOB24B-M8 4P	/
/		/	/
/		/	/
/		/	/
COMA22-M8 DC24V 0.5m			
COMA22-M8 DC24V 1.5m			
COMA22-M8 DC24V 3m			
COMA22-M8 AC230V 0.5m			
COMA22-M8 AC230V 1.5m			
COMA22-M8 AC230V 3m			
PSU22-M8			
PHS23-M8		PHS24-M8	PHS25-M8



## Asia Pacific

### China | Global HQ

#### Zhejiang CHINT Electric Co., Ltd.

Address: A3 Building, No. 3655 Sixian Road, Songjiang Shanghai 201614.  
Tel: +86 21 5677 7777  
Fax: +86 21 5677 7777  
Email: global-sales@chintglobal.com  
Website: www.chintglobal.com

### Singapore | Asia Pacific HQ

#### CHINT Global Pte Ltd

Address: 8 Kallang Avenue, #04-06/09 Aperia Office Tower 1, Singapore 339509.  
Tel: +65 6329 3110  
Fax: +65 6329 3159  
Website: www.chintglobal.com

### Sunlight Electrical Pte Ltd

Address: 1 Third Chin Bee Road, Singapore 618679.  
Tel: +65 6741 9055  
Fax: +65 6265 4586  
Email: sales@sunlightgroup.com  
Website: www.sunlightgroup.com

### India

#### CHINT India Energy Solution Private Limited

Address: Discovery Tower, Plot No. A-17, Ground Floor Industrial Area Sector 62 Noida, India 201309.  
Tel: +91 1202 9750 57  
Email: marketing@chint.co.in  
Website: www.chint.co.in

### Philippines

#### CHINT Electric Co., Ltd

Address: Unit 201, Taipan Place, F. Ortigas Jr. Road, Ortigas Center, Pasig City, Metro Manila, Philippines.  
Tel: +63 967 273 0174 / +63 977 017 6320  
Email: liq07@chintglobal.com / wencell@chintglobal.com  
Website: www.chintglobal.com

### Indonesia

#### PT. CHINT Indonesia

Address: Kompleks Prima Center I, Blok C9-10, Jl. Pesing Poglar Jl. Pool PPD No. 11, RT.9/RW.2, Cengkareng, Jakarta Barat.  
Tel: +62 21 5436 3000  
Email: sales@chint-indonesia.com  
Website: www.chint-indonesia.com

### Vietnam

#### CHINT Vietnam Holding Co., Ltd

Address: So 2Bis-4-6, Le Thanh Ton, P. Ben Nghe Quan 1, Ho Chi Minh, Vietnam.  
Tel: +84 0274 8270 015  
Email: marketing.vn@chintglobal.com  
Website: www.chintglobal.vn

### Sunlight Electrical (VN) Co., Ltd

Address: 20 Doc Lap Ave, VSIP, Thuan An City, Binh Duong Province, Vietnam.  
Tel: +84 0274 3743 505  
Email: sales.sev@sunlightgroup-vn.com.vn  
Website: www.sunlightvietnam.com.vn

### Cambodia

#### CHINT (Cambodia) Power Equipment Co., Ltd

Address: No.15, St. 542, Sangkat Boeung Kok 1, Khan Toul Kork, Phnom Penh, Cambodia.  
Tel: +855 23 231 077  
Email: lbin3@chintglobal.com  
Website: www.chintglobal.com

### SchneiTec CHINT Co., Ltd

Address: Ansor Kdam Village, Sna Ansa Commune, Krakor District, Pursat Province, Cambodia  
Tel: +855 09 5353 268  
Email: liubin@schneitec-chint.com.kh / info@schneitec-chint.com.kh  
Website: www.schneitec-chint.com.kh

## Latin America

### Brazil

#### CHINT Elétricos América do Sul Ltda.

Add: Av. Paulista, 1765 - Edifício Scarpa - Conjunto 22, Bela Vista - CEP 01311-200 - São Paulo - SP  
Tel: +55 (11) 3266-7786  
E-mail: chintbr@chint.com

### Peru

#### CHINT LATAM (PERU) S.A.C.

Add: Av. Camino Real No.348, Torre El Pilar, Oficina 603, San Isidro, Lima 27, Peru  
Tel: +51 1 763 4917  
Email: chintlataperu@chint.com

### Ecuador

#### CHINT ELECTRICS (HONG KONG) LIMITED (Ecuador Branch)

Add.: Calle: REP.DEL SALVADOR Número: 10-84 Intersección: AV NACIONES UNIDAS  
Edificio: CENTRO COMERCIAL MANSION BLANCA  
Email: lufz@chintglobal.com