



SC3L Electronic Timer

1. General

SC3L electronic timer has built-in lithium battery and small overall dimensions and is used to provide time accumulation in various types of circuits.

2. Type designation

S C 3 L - □ □

Input signal: Blank: without voltage input;
V: DC voltage input;
A: AC voltage input

Time accumulation range :

1: 99999.9h; 2: 99h59min59s;
3: 9999h59min; 4: 9999day23h;
5: 9999h59min59s; 6: 999999h59min;

Time accumulator

Design sequence No.

LCD display

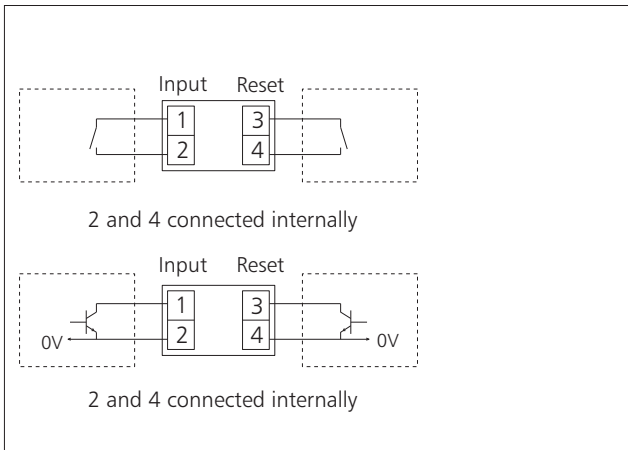
Electronic type

3. Technical data

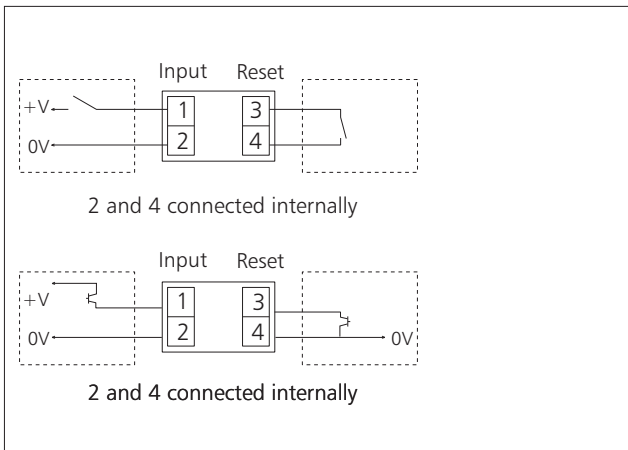
Power supply	Internal power supply
Battery life	Approximately 6 years (25°C)
Display mode	LCD display, zero elimination type (zero display type available upon request)
Output mode	Without output
Time accumulation range	1: 99999.9h; 2: 99h59min59s; 3: 9999h59min; 4: 9999day23h; 5: 9999h59min59s; 6: 999999h59min;
Without voltage input	Maximum contact on resistance: ≤10kΩ (time accumulation ON); minimum contact off resistance: ≥500kΩ (time accumulation OFF) Maximum input residual voltage: 0.5V
DC voltage input	L:DC0V-2V H:4V-30V (H active) (input impedance:≥4.7kΩ)
AC voltage input	AC/DC 24V~240V
Reset mode	Panel push-button reset (6-digit), external terminal reset (6-digit & 8-digit)
Minimum reset pulse width	≥0.2s
Time accumulation error	≤0.01%
Ambient temperature	-5°C~+40°C
Mounting type	Panel type
Overall dimensions	W48×H24×L52.9mm
Opening size	W45×H22.5mm

4. Wiring diagram

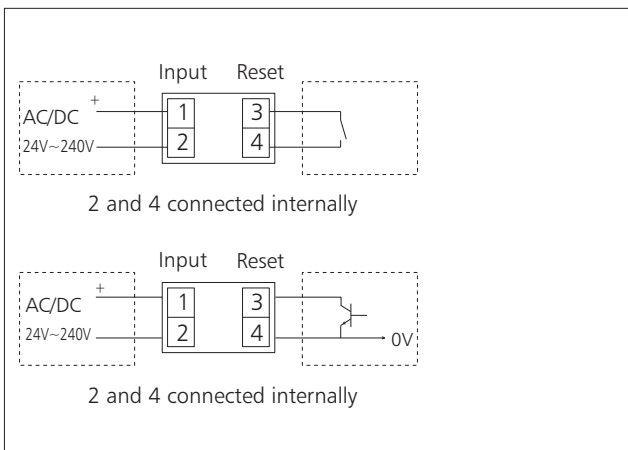
SC3L (without voltage input)



SC3L (DC voltage input)



SC3L (AC voltage input)



5. Overall and mounting dimensions (mm)

