

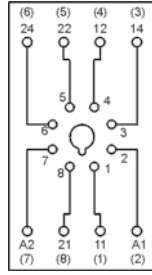
**PZ8**

For R15 - 2 CO

Screw terminals  
 Max. tightening moment  
 for the terminal: 0,7 Nm  
 35 mm rail mount  
 acc. to EN 60715  
 or on panel mounting  
 68,2 x 38 x 24,2 mm  
 Two poles  
 10 A, 250 V AC

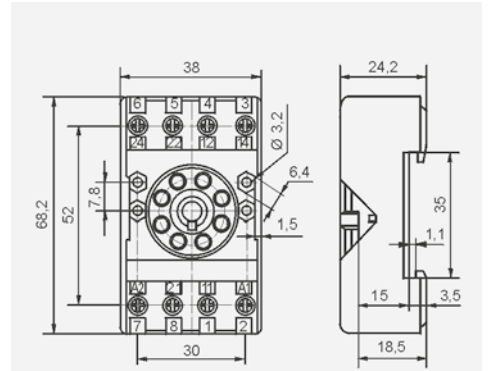


**Connection diagram**



PZ11 0031

**Dimensions**



**Accessories**

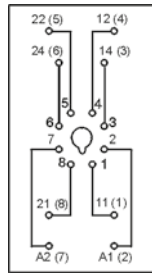
**GZU8**

For R15 - 2 CO

Screw terminals  
 Max. tightening moment  
 for the terminal: 0,7 Nm  
 35 mm rail mount  
 acc. to EN 60715  
 82 x 35,5 x 25,7 mm  
 Two poles  
 10 A, 250 V AC

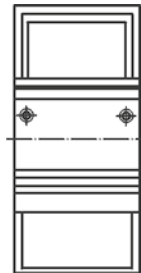


**Connection diagram**

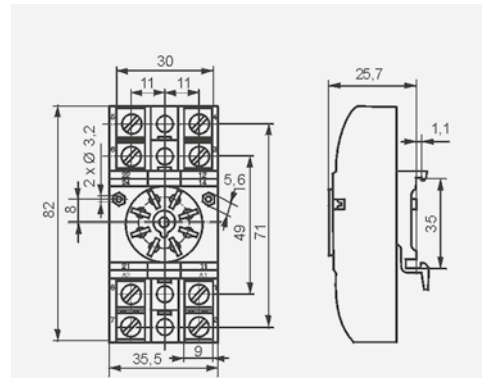


GZU 1052

**Adaptor**



**Dimensions**



**Accessories**

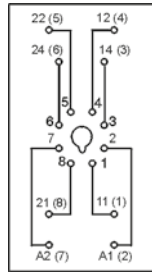
**GZ8**

For R15 - 2 CO

Screw terminals  
 Max. tightening moment  
 for the terminal: 0,7 Nm  
 On panel mounting  
 82,8 x 35,5 x 22,5 mm  
 Two poles  
 10 A, 250 V AC

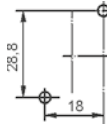


**Connection diagram**

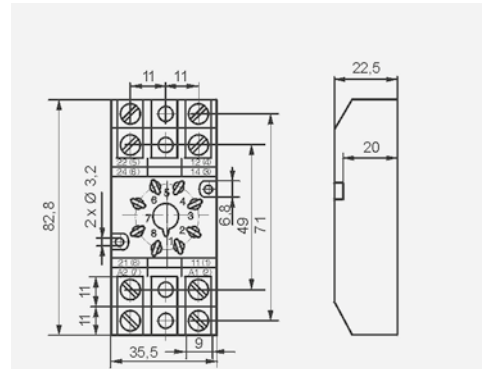


GZ 1050

**Mounting dimensions**



**Dimensions**



**Accessories**

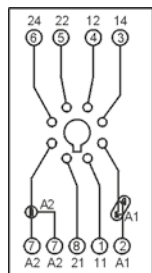
**GZP8**

For R15 - 2 CO

Screw terminals  
 Max. tightening moment  
 for the terminal: 0,5 Nm  
 35 mm rail mount  
 acc. to EN 60715  
 or on panel mounting  
 73 x 38,2 x 27,2 mm  
 Two poles  
 12 A, 300 V AC



**Connection diagram**



GZP-0054

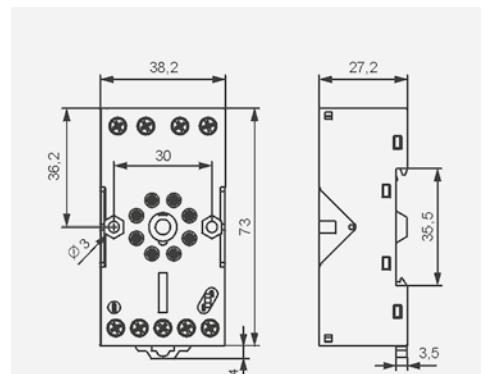


Time module COM3



GZP-0035

**Dimensions**



**Accessories**

Have obtained LR Type Approval Certificate (Lloyd's Register).