

## SPE 06 | 6mm O.D Tubing Equal Tee | Stainless Steel Push to Connect Fitting



**Product Code:** SPE 06

**Push-in Tubing O.D:** 6mm

**Fluid Admitted:** Air, Vacuum, Water (no freezing), Steam, Oil

**Body Material:** 316 Stainless Steel

**Seal, O-ring:** FKM (Viton)

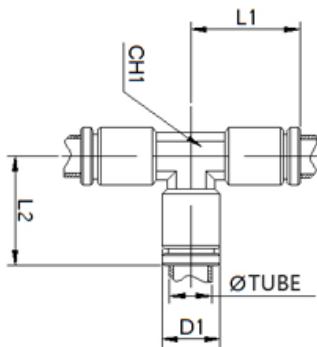
**Working Pressure:** 0 ~ 2.0 MPa | 0 ~ 290 psi

**Proof Pressure:** 3.0Mpa | 435psi

**Negative Pressure:** -100Kpa | -29.5 In Hg

**Working Temperature:** -20 ~ 150°C | -4 ~ 302°F

Dimensions of SPE 06 Equal Tee | Sta



Part No.	TUBE	L1	L2	D1	CH1
SPE 06	6mm	20mm	20mm	11mm	9.2mm