

# SPE 08 | 8mm O.D Tubing Union Tee Connector | Stainless Steel Push to Connect Fitting



**Product Code:** SPE 08

**Push-in Tubing O.D:** 8mm

**Fluid Admitted:** Air, Vacuum, Water (no freezing), Steam, Oil

**Body Material:** 316 Stainless Steel

**Seal, O-ring:** FKM (Viton)

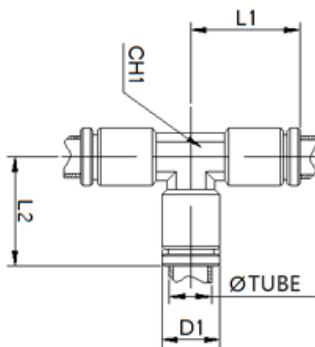
**Working Pressure:** 0 ~ 2.0 MPa | 0 ~ 290 psi

**Proof Pressure:** 3.0Mpa | 435psi

**Negative Pressure:** -100Kpa | -29.5 In Hg

**Working Temperature:** -20 ~ 150°C | -4 ~ 302°F

Dimensions of SPE 08 Union Tee Connector | Stainless Steel Push to Connect Fitting



Part No.	TUBE	L1	L2	D1	CH1
SPE 08	8mm	22mm	22mm	13.6mm	11.2mm