

## Industrial Thermostats PTSC - 090C

### Features

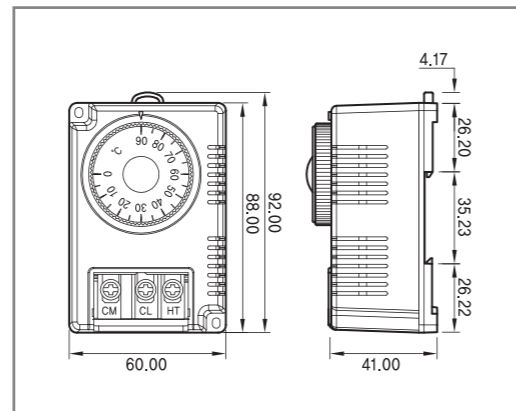
- Screw terminals for un-loosing
- Special design for installing on a DIN rail inside a control cabinet
- 20A/250V

### Applications

- Control Cabinet
- Fan Control Unit
- Space Heater

### Specification

| Model     | Temp. Range | Accuracy |
|-----------|-------------|----------|
| PTSC-090C | 0°C ~ 90°C  | ±4°C     |
| PTSC-050C | 0°C ~ 50°C  | ±3°C     |



## Industrial Thermostats LTS - 030S

### Features

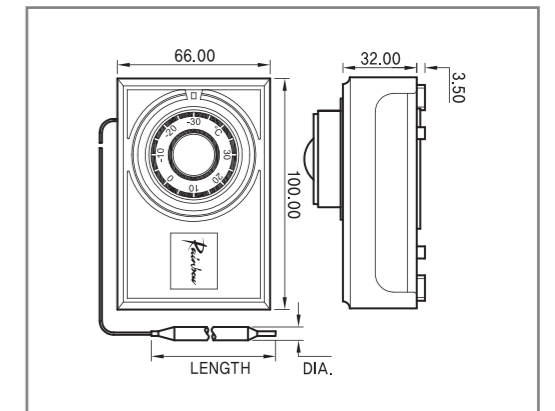
- Suitable for surface mounting
- Control with change-over switch
- Capillary : 1,000 mm
- 20A/250V

### Applications

- Cold Storage
- Aquariums
- Commercial Refrigerators

### Specification

| Model    | Temp. Range  | Accuracy | Bulb          |
|----------|--------------|----------|---------------|
| LTS-030S | -30°C ~ 30°C | ±3       | 5.8 Ø × 125mm |



## Industrial Thermostats ITS - 050L

### Features

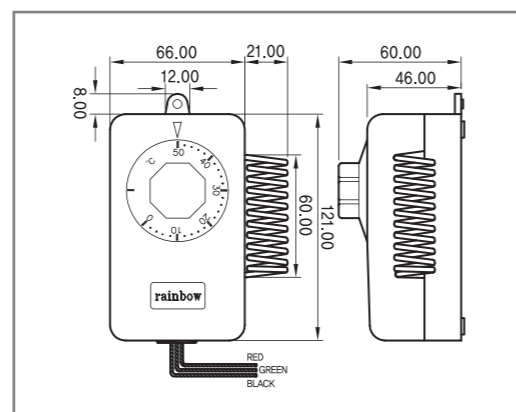
- 150mm lead wire provided for out-put connection
- Multi-function plastic housing
- One control for heating and / or cooling
- 20A/250V

### Applications

- Fan Heater (Ventilation)
- Warehouses
- Garages

### Specification

| Model    | Temp. Range | Accuracy |
|----------|-------------|----------|
| ITS-050L | 0°C ~ 50°C  | ±4       |



## Industrial Thermostats VTS - 090CW

### Features

- Control knob with temperature indication
- For immersion with control bulb in brass pocket fitted directly on the housing
- Widely applied for circulating pumps
- 20A/250V

### Applications

- Electric Water Heater
- Solar Water Heater
- Boiler

### Specification

| Model     | Temp. Range | Accuracy |
|-----------|-------------|----------|
| VTS-090CW | 0°C ~ 90°C  | ±4°C     |
| VTS-120CW | 0°C ~ 120°C | ±4°C     |

